

Letter from Feiyue Yamata

Dear Valued Customer,

Congratulations and thank you for purchasing your new FP202 Series Steam Press.

This powerful product was designed to give your garments a professional pressed look without leaving the comfort of your own home.

Turn on your new Digital Fabric Family Press and in minutes you are ready to remove wrinkles from garments and restore crisp and long-lasting creases.

With a pressing surface that is up to ten times larger than most hand-held irons, the Digital Fabric Family Press can greatly reduce your ironing and pressing time.

Combined with a powerful steam burst function, variable temperature control and an automatic shut-off safety system, you will find that your new Digital Fabric Family Press is capable of doing everything you need and much more from the comfort of your home.

We at Feiyue Yamata would like to invite you to visit our website at <http://www.feiyueyamata.com> for additional information on your new Digital Fabric Family Press and other Feiyue Yamata family of products.

Enjoy your new FP202 Series Steam Press!

Your friends at,

Feiyue Yamata

IMPORTANT: To prevent serious injuries, read and understand all warnings and instructions in this manual before use.

Copyright 2015 by China Feiyue USA Inc. All rights reserved. No portion of this manual may be reproduced without prior consent.

PRODUCT SPECIFICATIONS

| Item | Description |
|---------------------------------|---|
| Electrical Requirements | 120 Volt / 60 Hz / 1600 Watt Power Switch Type: Rocker ON/OFF Power Cord Type: 7' 1-1/2" Long / 14AWG x 3C Power Plug Type: 3-Prong / Grounded |
| Automatic Shut-Off Time | 10 Seconds After Pressing Board is Left Against Ironing Board 15 Minutes After Non-Use |
| Fabric Settings | Nylon / Silk / Wool / Cotton / Linen |
| Variable Heat Selection | 204.6° Fahrenheit to 230° Fahrenheit |
| Start-Up Time | 40 Seconds |
| Pressing Time Lapse Time | 12 to 15 Seconds |
| Water Tank Capacity | 10 Ounces |
| Recommended Water Type | Tap Water (Distilled Water in Areas of Hard Water) |
| Unit Size (26" / 32" / 36") | 680X275 / 810X275 / 915X275 mm |
| Unit Weight (26" / 32" / 36") | 10 / 12 / 12.5 KG |

IMPORTANT: The manufacturer of this product has provided the parts list and assembly diagram in this manual as a reference tool only. The manufacturer makes no representation of warranty of any kind to the buyer that he or she is qualified to replace any parts of this product. In fact, the manufacturer expressly states that all repairs and parts replacements should be performed or undertaken by certified and licensed technicians and not by the buyer. The buyer assumes all risks and liability arising out of his or her repairs or alterations to the original product or replacement parts thereto or arising out of his or her installation or replacement parts thereto.

IMPORTANT: As mentioned, this parts list and assembly is for reference only and certain parts might not be available for purchase separately.

PARTS LIST

| Part # | Description | Qty. | Part # | Description | Qty. |
|--------|---|------|--------|---|------|
| 1 | PRESSURE IRON BOARD | 1 | 41 | LATCH AXLE SPRING | 2 |
| 2 | ALUMINUM GUTTERED SHEET | 2 | 42 | LATCH AXLE SNAP SPRING | 2 |
| 3 | HEAT PLATE | 2 | 43 | CUICUIT BOARD ISOLATE WASHER | 1 |
| 4 | COPPER NOZZLE FOR HEAT PLATE | 2 | 44 | CIRCUIT BOARD | 1 |
| 5 | TEMPERATURE CONTROL SWITCH | 1 | 45 | HANDLE SPRING | 1 |
| 6 | PROBE FIX SHEET | 1 | 46 | HANDLE SPRING GASKET(1) | 1 |
| 7 | HIGH TEMPERATURE PLAIN WASHER FOR TEMPERATUERECONTROL | 1 | 47 | HANDLE SPRING GASKET(2) | 1 |
| 8 | IRON BOARD CONNECTING SHEET | 1 | 48 | HANDLE CONNECTING AXLE | 2 |
| 9 | CONNECTING SHEET SET BOLT | 2 | 49 | MACHINE CONNECTING AXLE | 1 |
| 10 | IRON BOARD SET HOOKS(LONG) | 3 | 50 | M5X20 COUNTERSUNK HEAD | 2 |
| 11 | IRON BOARD SET HOOKS(SHORT) | 4 | 51 | DOUBLE-ROUND HEAD SILICON WASHER | 1 |
| 12 | M3X12STAINLESS STEEL SCREW ROUND HEAD | 3 | 52 | SLIDE LOCALIZATION PLASTICK BLOCK | 2 |
| 13 | HEAT SHIELD | 1 | 53 | STAINLESS STEEL TRACK | 2 |
| 14 | INLET SILICON-RUBBER HOSE(THIN) | 2 | 54 | RUBBER ANTICORROSION | 2 |
| 15 | INLET TEE | 1 | 55 | Z608 AXLETREE | 2 |
| 16 | SILICON TUBE SLEEVE | 2 | 56 | AXLETREE CONNECTING AXLE | 1 |
| 17 | TWIST TIE | 1 | 57 | MACHING CONNECTING AXLETREE | 2 |
| 18 | PLASTIC BASE PLATE | 1 | 58 | PRESSING BOARD | 1 |
| 19 | WATER PUMP | 1 | 59 | INDICATOR LIGHT | 1 |
| 20 | PLASTIC WATER TANK | 1 | 60 | MEMBRANE SWITCH | 1 |
| 21 | WATER TANK COVER | 1 | 61 | PLASTIC SHIELD | 1 |
| 22 | INLET SILICON-RUBBER HOSE(THICK) | 1 | 62 | SHIELD COVER PLATE | 1 |
| 23 | BOTTOM FBET | 2 | 63 | PLASTIC LOCKING KNOB | 1 |
| 24 | M4X12STAINLESS STEEL SCREW COUNTERSUNK HEAD | 2 | 64 | LOCKING KNOB SWITCH | 1 |
| 25 | M4X12STAINLESS STEEL SCREW ROUND HEAD | 2 | 65 | SHIELD COVER PLATIC BOLT | 2 |
| 26 | BASE PLATE PLASTIC SCREW | 1 | 66 | POWER SWITCH | 1 |
| 27 | BACK LEG | 4 | 67 | STRAIN RECIEF BUSHING | 1 |
| 28 | M4X30 STAINLESS STEEL SCREW COUNTERSUNK HEAD | 2 | 68 | SECURING SCREW ANTISKID MAT | 4 |
| 29 | PLASTIC ISOLATE PLATE | 1 | 69 | PRESSING BOARD CONNECTING COPPER WASHER | 1 |
| 30 | ALUMINUM ALLOY LOWER SHELL | 1 | 70 | CONNECTING SHEET SET SCREW SPRING | 2 |
| 31 | ALUMINUM ALLOY UPPER SHELL | 1 | 71 | LOCKNUT | 2 |
| 32 | TRANSFORMER ISOLATE BRACKET | 4 | /001 | IRON BOARD SHIELD COVER | 1 |
| 33 | M3X12SELF TAPPING SCREW | 2 | /002 | TRANSFORMER | 1 |
| 34 | CORD BOX PLASTIC SHEET | 2 | /003 | † 6 FLAT WASHER | 1 |
| 35 | PLASTICHANDLE | 1 | /004 | M5X20 COUNTERSUNK HEAD | 4 |
| 36 | STEAM BURST BOTTOM | 2 | /005 | M6 NUT | 4 |
| 37 | STEAM BURST BOTTOM SILICON SLEEVE | 2 | /006 | SPLIT PINS | 2 |
| 38 | M3X5 STAINESS STBEL SELF TAPPING COUNTERSUNK HEAD | 8 | /007 | LATERAL PIN LOCK SCREW | 2 |
| 39 | HEX SOCKET CAP SET SCREW | 1 | /008 | PCB LOCK SCREW | 2 |
| 40 | LATCH AXLE | 2 | /009 | HEAT PLATE LOCK SCREW | 10 |

current capacity.

- Do not leave your FP202 Series Steam Press unattended when plugged in but not in use.
- To reduce the risk of electrical shock, this unit has a three-pronged plug. This plug will fit in a polarized wall outlet only one way. If the plug does not fit fully in your outlet, contact a licensed electrician to install a proper outlet before use. Do not attempt to temper, alter or modify the plug to defeat this safety feature.

PERSONAL SAFETY

- This unit is not a toy. Close supervision is required when using this unit near children, pets and plants.
- This unit can produce steam and might be pressurized and hot. Care must be taken to avoid burns or other injuries.
- Stay alert and watch what you are doing and use common sense when operating a power appliance. Do not use this power appliance while tired or under the influence of drugs, alcohol or medication.
- Dress properly. Do not wear clothing or jewelry that could get in the way or cause injuries.
- Do not handle or use this unit while hands are wet or when not wearing shoes
- Avoid accidental starting. Be sure the power switch is off before plugging the unit in the socket.
- Do not overreach. Keep proper footing and balance at all times
- Use of safety equipment such as eye protection is recommended
- Surfaces become hot during use. To avoid injuries, do not touch pressing plate or any other metal surface while using this appliance. Do not place arms or hands between pressing plate and ironing board at any time
- Do not attempt to service or modify this unit. Service should only be performed by qualified technicians. Any modification of this unit can be dangerous and will void it's manufacturer's warranty
- Before filling your Digital Fabric Family Pless, always turn off the unit and unplug the cord from the outlet, Failure to follow these steps may result in injuries

APPLIANCE USE AND CARE

- Do not force the appliance. Use your new FP202 Series Steam Press only what it was intended for.
- Do not use this product if the power switch does not turn it on or off
- Disconnect the power cord plug from the power source before making any adjustments
- Do not operate the steam burst function if steam openings are blocked

Other Techniques:

- Placing the pressing pad between the fabric and pressing board may help with delicate fabrics
- Buttons and zippers may need special care to avoid melting or damages. To do so, place the garment face down and cover the pressing pad before pressing
- The accessory spray bottle may be used to spray fabrics lightly. This will further help to remove exceptionally stubborn wrinkles from your garment
- Place a clean, damp cloth over your garment before pressing as this will help with stubborn wrinkles or heavy gauge fabrics
- To press large pieces of fabric, place the entire piece of fabric behind the ironing board. Pull the fabric toward you over the ironing board and then lower the pressing board. Press the fabric in sections until completed.

INSPECTION, MAINTENANCE, AND CLEANING

- Make sure the steam press is off.
- Before each use, inspect the general condition of the steam press and check for loose or broken parts
- If abnormal noise or vibration is found, have the problem corrected before further use
- To clean the steam press, fill the water reservoir. Place pressing pad in the middle of the ironing board. Place a clean towel over the pressing board and ironing board. Set the temperature control buttons to the highest setting (linen). When the steam burst ready indicator (yellow) comes on, press the steam burst buttons several times to clean the steam pores from calcium deposits. Allow the pressing board to cool. Clean the pressing and ironing boards with damp cloth only. The ironing board is removable for hand washing. Do not use abrasive detergents
- Store the unit after use. Wait at least 30minutes and allow the unit to cool before storing it. Empty the water reservoir before storage and keep the unit clean, dry and safe out of reach from children or others
- **IMPORTANT:** All other maintenance should only be performed by qualified technicians. Never attempt to disassemble or altered the unit in any way. Failure to comply may result in injuries
- Only allow qualified technicians to use Feiyue Yamata parts. Do not attempt to use parts from 3rd party manufacturers

WARRANTY INFORMATION
ONE YEAR LIMITED MANUFACTURER WARRANTY

For US consumers only

Feiyue Yamata warrants this product for a period of 12 months from the date of the original purchase on your invoice, not the first date of use, against defects in materials and workmanship only except for parts described below. This warranty does not cover damage caused by misuse, negligence, improper use, disassembly or alteration by any person than the technicians from Feiyue Yamata. Electronic components are warranted for 60 days.

This item is intended for DOMESTIC USE ONLY. Using this item for any other purpose (Commercial production, Laundries, Hotels, etc) will void its manufacturer's warranty.

This warranty covers labor and parts only and does not cover transportation or postage. All parts that have been deemed defective by the manufacturer, at our discretion will be either repaired or replaced at no charge to the customer. Customer is responsible for shipping service items prepaid and insured to Feiyue Yamata. A nominal fee for return shipping and handling for all warranty service applies. Warranty card must be sent and received by Feiyue Yamata within the first 30 days of your purchase for your manufacturer's warranty to be enabled. Warranty applies only to units purchased at authorized retailers and it is non transferable.

Upon expiration of the 12 months warranty, you will be advised of the cost of repair before any servicing is done unless you enclose a note indicating that you would like us to proceed with the repairs.

If you need to request warranty service or have any questions about coverage under this warranty, please visit our website at <http://www.feiyueyamata.com> under the service page. You can also contact our service department at 1-888-8FEIYUE or email us at service@feiyueusa.com

Please have your service request form, product serial number and invoice ready before contacting the service department.

TROUBLESHOOTING

| Problem | Possible Cause | Possible Solution |
|---|--|---|
| Unit fails to heat up and steam. Power Indicator Light does not illuminate. | 1. Unit is not plugged in. 2. Household circuit breaker/ground fault interrupter has tripped or blown a fuse. | 1. Plug the unit into a working, 120 volt, electrical outlet. 2. Reset circuit breaker/ground fault interrupter, or replace fuse. |
| Unit fails to heat up and steam. Power Indicator Light does illuminate. | 1. Auto-shut off has engaged. 2. Water Reservoir is empty. 3. Unit is damaged or malfunctioning. | 1. Refer to "Auto-Shut Off" section on page x of this manual for instructions. 2. Refill Water Reservoir. 3. Immediately cease using, and have a qualified service technician check out the unit. |
| Steam burst output is weak or intermittent. | 1. Pressing Board needs to be cleaned. | 1. Clean the Pressing Board properly. |

OPERATING INSTRUCTIONS

- The Digital Fabric Family Press is equipped with an automatic shut off mechanism which turns off electric power to the internal heater when the pressing board is left against the ironing board for more than 10 seconds or if the pressing board is left in the raised position without use after 15 minutes. The heating ability of the steam press is restored when the pressing board is lowered or raised from its position.
- **IMPORTANT:** The automatic shut-off does not mean power is totally cut off. Power is always on, and the power indicator light remains on as well until the power switch is turned to its "OFF" position. To turn the power on again, turn the power switch to its "OFF" position then turn to its "ON" position again
- While putting water in the reservoir, do not attempt to remove the reservoir from the steam press. The unit can not be completely removed from the steam press. Do not attempt to force it free
- Use the supplied measuring cup to fill the water reservoir. Do not overfill. Tap water can be used but distilled water is recommended. Replace water reservoir cap before commencing use
- Do not overfill the reservoir. Fill the reservoir with no more than 10 ounces of water
- Unlock the locking knob and raise the pressing board
- With the pressing board in the lifted position, plug the power cord into the nearest grounded 120 volt electrical outlet and then turn the power on after verifying no safety hazards exists.
- Select the type of fabric you are going to press. Then select the corresponding temperature setting. The green pressing indicator light will illuminate. It is recommended that you start with the most delicate fabrics first as higher levels of heat may cause damage to your garment.
- A few minutes of heating time is required to reach the selected temperature. Once the pressing board is heated to the desired temperature, the green indicator light will go out. You are now ready to begin pressing your garment
- Lay the fabric flat on the ironing board. If pressing wool, it is recommended that you spray it with a burst of steam. This function is available once the yellow steam burst indicator light illuminates
- **WARNING** — Do not activate the steam burst function with the steam press complete closed as this may damage the unit. For best results, hold the pressing board open approximately 3 inches above the ironing board before pressing the steam release buttons on the handle. For safety reasons, do not lift the pressing board more than 3 inches above the ironing board when using the steam burst function.

- **REMINDER** — Burns can occur from touching hot metal parts or if you are in close proximity to hot water or steam
- To press the fabric, lower the pressing board gently onto the fabric and ironing board. Hold for about 8 to 10 seconds. Lift the pressing board all the way. Repeat until you have obtained the desired crease and smoothness in the fabric.
- The steam press will automatically turn off the heating plate after 10 seconds in the closed position. A beep will be emitted until the unit is opened. Once the unit is opened, it will return to normal operation
- Once the pressing is completed, immediately turn the unit off. Wait for the unit to cool down for at least 30 minutes before storing the unit
- Make sure the steam press is clean and dry before storing the unit in a safe location out of reach from children or other unauthorized people

PRESSING AND STEAMING TIPS

Wrinkle Removal:

- Lower the pressing board until it is about 3 inches above the ironing board and then activate the steam burst function by pressing the steam release buttons
- Wait a few seconds then activate the steam burst buttons once again
- Lower the pressing board all the way and then raise the pressing board
- Repeat this cycle until all wrinkles have been removed

Pressing Shirts and Blouses:

- Place shoulder yoke on the ironing board first and press
- Next, place the sleeves onto the ironing board with the fold parallel to the long seam and press
- Place the bottom of the shirt or blouse behind the ironing board. Begin by pressing the side with the pocket. Pull the shirt or blouse towards you as you press each section.
- Finish by pressing the collar of the shirt or blouse

Pressing Pants:

- Place the accessory pressing pad under the waistband and press. Reposition the waistband until completely pressed.
- To press the inseam, place the pressing pad under the area to be pressed
- Place the pleated area on the ironing board. Then carefully hold the pleats and press
- Embroidery should be placed face down on the ironing board to reduce wear and prevent damage to delicate areas

- Only water should be used with this unit. Feiyue Yamata recommends distilled water if available to prolong the life of your unit
- Use only accessories that are recommended by the manufacturer for your unit. Other accessories should not be used. Doing so may cause injuries or damage to the unit

SERVICE

- Repair service should only be performed by a qualified technician
- Contact your local retailer or the manufacturer for your nearest repair center

WARNINGS

- As stated, burns can occur from touching hot metal parts of this unit or if you are in close proximity to hot water or steam. Exercise extra care while operating this unit.
- Always operate this unit on a secure, flat, level table, counter or our ST-04 press stand
- Maintain labels and warnings on the Steam Press
- Do not use the unit if it has been dropped, damaged, left outdoors or immersed in liquid
- This product is for household indoor use only
- Always allow the steam press to cool for at least 30 minutes before storing
- Always read and adhere to steaming and pressing instructions in this manual. Manufacturer is not responsible for improper operator use
- People with pacemakers should consult their physician(s) before using this product. Operation of electrical equipment in close proximity to heart pacemaker could cause interference or failure of the pacemaker
- The warnings and cautions discussed in this manual can not cover all possible conditions and situations. Please exercise common sense and caution while operating this item

UNPACKING

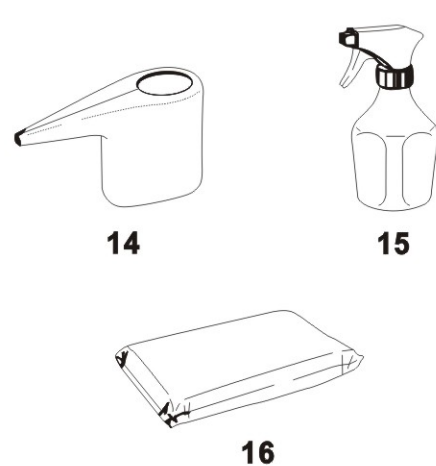
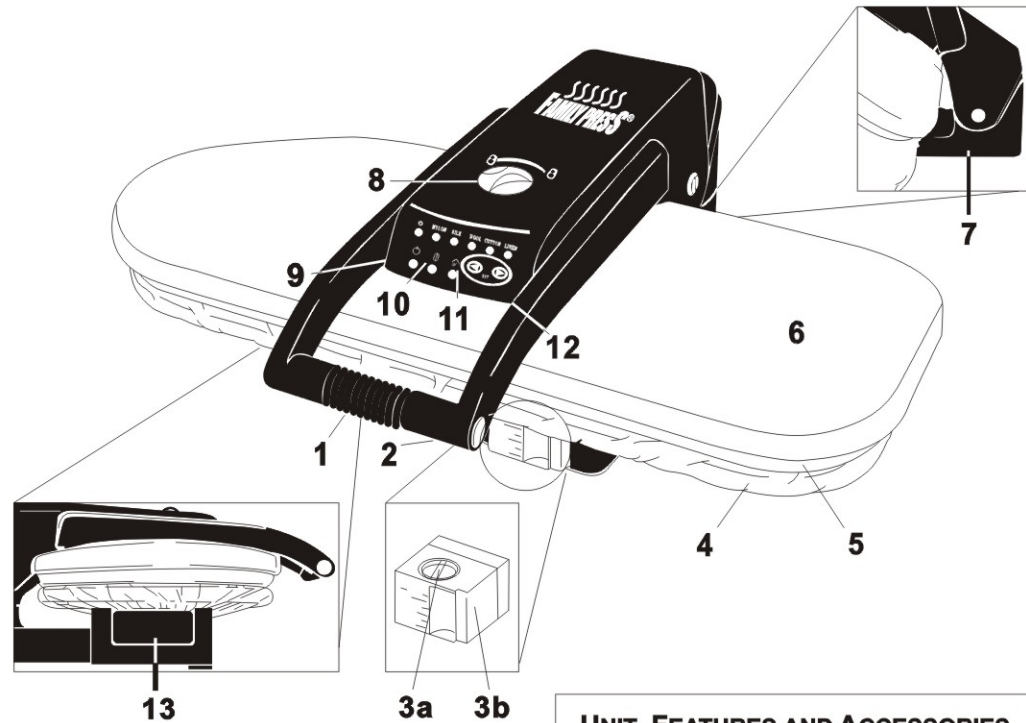
When unpacking your new FP202 Series Steam Press, check to make sure all the parts are included. If any parts are missing or broken, please contact your retailer immediately.

CUSTOMER SUPPORT AND TROUBLE SHOOTING

For questions on your Digital Fabric Family Press, please refer to the troubleshooting chart. Additional inquiries should be directed to our Customer Service Department by emailing us at customerservice@feiyueusa.com

If you do not have internet access, you may also contact our Customer Service Department by phone at 1-888-8FEIYUE

The following features and accessories are included with your Steam Press. Carefully inspect packaging material as some parts are shipped inside Styrofoam packaging. To obtain possible missing parts, refer to contact information on page 6 of this manual.



UNIT FEATURES AND ACCESSORIES

- 1. Handle
- 2. Steam Burst Buttons
- 3a. Water Reservoir Cap
- 3b. Water Reservoir
- 4. Ironing Board
- 5. Pressing Plate
- 6. Pressing Plate Cover
- 7. On/Off Switch
- 8. Locking Knob
- 9. Power Indicator Light (Red)
- 10. Pressing Indicator Light (Green)
- 11. Steam Burst Ready Indicator Light (Yellow)
- 12. Temperature Control Buttons
- 13. Cord Storage Compartment
- 14. Measuring Cup
- 15. Spray Bottle
- 16. Pressing Cushion

SAVE THIS MANUAL

You will need this manual for the safety warnings and precautions, assembly, operating, inspection, maintenance and cleaning procedures, parts list and assembly diagram. Keep your invoice with this manual. Write the invoice number down in a safe location. Keep this manual and invoice in a safe and dry place for future reference.

IMPORTANT SAFEGUARDS AND RULES

Warning! Read and understand all instructions before use. Failure to follow all instructions listed below may result in electric shock, fire, burn or other serious injuries.

SAVE THESE INSTRUCTIONS!

Your new FP202 Series Steam Press was designed for DOMESTIC USE only. Any other use will void its manufacturer's warranty.

WORK AREA

- Keep your work area clean and well lit.
- Do not operate power appliances in explosive atmospheres such as in the presence of flammable liquids, gases or dust.
- Keep children and visitors away while operating this product.

ELECTRICAL SAFETY

- Ground appliances must be plugged into an outlet properly installed and grounded in accordance with all codes and ordinances. Never remove the grounding prong or modify the plug in any way. Do not use any adapter plugs. Check with a qualified electrician if you are in doubt as to whether your outlet is properly grounded.
- Your new FP202 Series Steam Press is ETL rated
- Avoid body contact with grounded surfaces such as pipes, radiators, ranges, and refrigerators.
- Do not expose power appliances to rain or wet conditions
- Do not abuse the power cord. Never use the power cord to carry the appliance or pull the plug from an outlet. Always shut off the unit prior to removing the plug from the socket. Replace damaged power cords immediately or cease using the unit.
- Do not use this appliance with extension cords or electrical outlets that have inadequate