

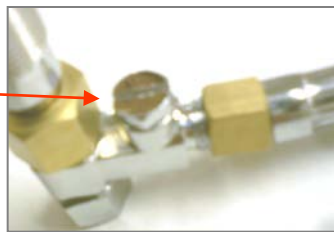
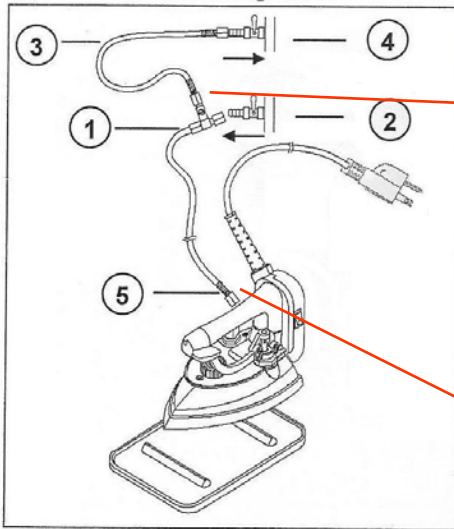
# ACE HI

## AH-3300N Boiler Type Steam Electric Iron Installation Instruction

### How to Connect:

- Connect the main steam hose (no.1) to the main steam inlet line
- Connect the extended hose (no.3) to the return line
- Connect the other end of the main hose to the iron nipple.

Drawing No.1



Close this valve completely  
And then slowly open to align  
its line groove with the hose  
direction

### Connection of the Teflon Hose



1. Pull the Teflon hose about 20mm out as shown in the picture



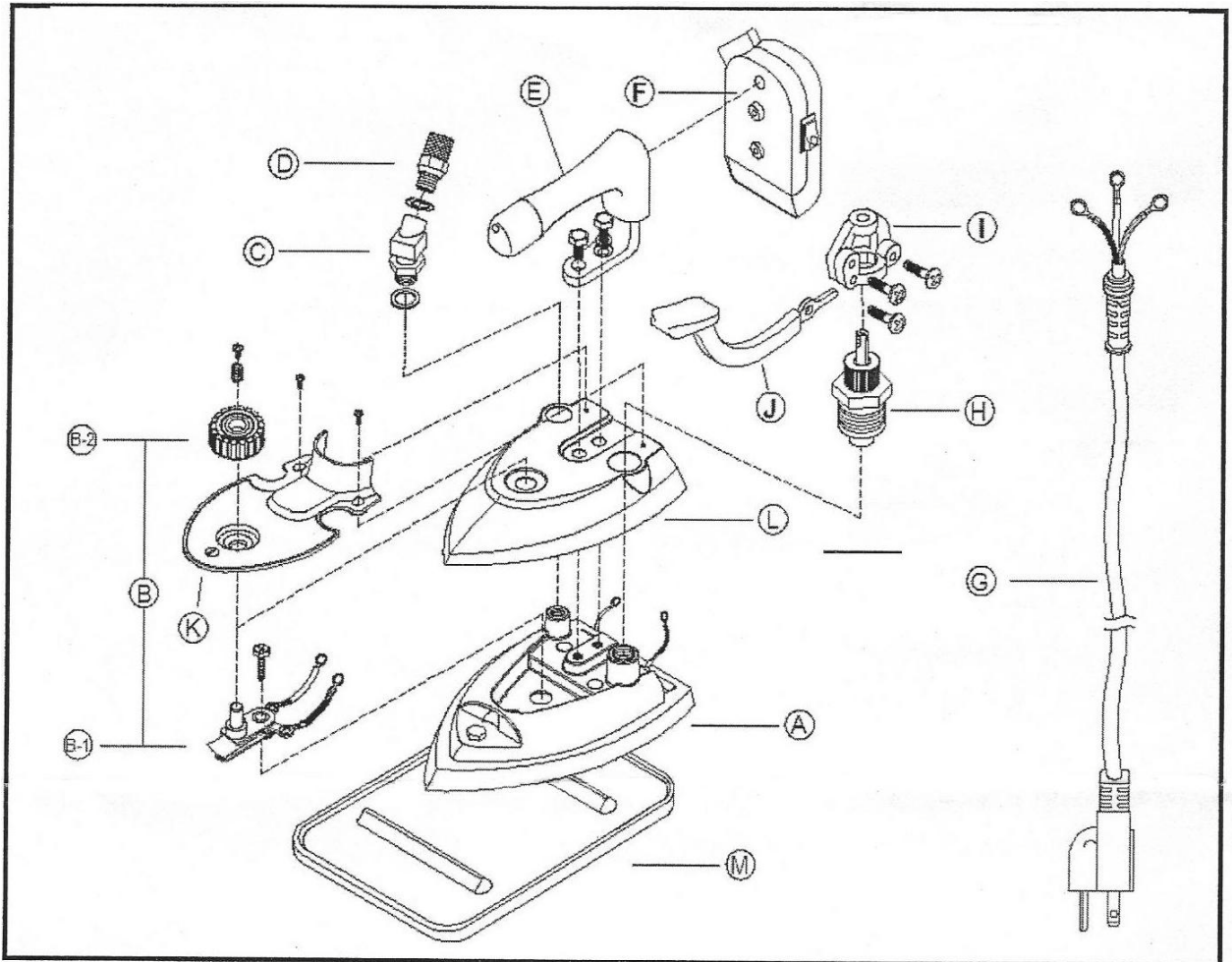
2. Insert into the inside of the iron



3. Close the nut to finish it

- Check the voltage of the iron [110V or 220V], and always place the iron on the iron rest. Do not place the iron near inflammable substances.
- Before using, drain out the steam a couple of time to make sure for the dry steam ( residual water may remain in the hose)
- When not using, unplug the cord for the safety

# AH-3300N Parts Diagram & Parts Description



## Parts Description

No.	Description	No.	Description
A	Base Set [ 120V]	G	Power Cord [120V]
B	Thermostat Set	H	Steam Valve [Push]
B-1	Thermostat	I	Steam Flow Regulator
B-2	Thermostat Knob	J	Push Lever
C	Elbow Nipple[45']	K	Thermo Shield
D	Nipple [E Type]	L	Cover
E	Handle Set	M	Silicone Iron Rest
F	Main Switch Set		