

Wallaby Assembly Instructions



*Accessories not included

Wallaby Sewing Cabinet

Congratulations on the purchase of your new Wallaby Sewing Cabinet. Every effort has been taken to ensure your complete satisfaction with this custom designed product. For your convenience the Wallaby Sewing Cabinet is supplied in three ready to assemble packs

Helpful Assembly Hints

Read the instructions carefully before starting. Check to see that all the parts are included. Work in a spacious area preferably on a carpet or soft surface. You will need a phillips head and flat head screw driver for the assembly. A cordless drill is preferable. Ensure the phillips head screwdriver fits neatly and fully engages the screw head. Failure to do this may result in screw damage. Make sure you tighten all the screws securely and tap dowels all the way in.

Warranty Information

G-day mate! We warranty our product for 1 year from date of shipment for manufacturer's defects or shipping damage within the first 15 days. The warranty does not cover damage caused by abuse, mis-use, alteration, accident, or neglect of the product. The warranty does not cover damage caused by moving the cabinet fully loaded. Under the terms of this warranty the repair and replacement of any parts shall be at the discretion of the company or their designated representative.

Replacement Part Shipping Policy

To help protect our valuable resources, we ship all replacement parts out at the same time. This procedure lessens the use of packaging materials and fossil fuels used in transportation keeping our world for all kangaroos and the people like you a cleaner place. Please help us in this endeavor by reviewing all parts in all boxes for damage before calling or e-mailing us to report damage. We adhere to our environmental philosophy by only shipping replacement parts out 1 time for free. Future parts requests will be billed at the customer's expense.

Cabinet Care

Your Wallaby Sewing Cabinet normally requires a minimum amount of maintenance, however the following points are worth noting:



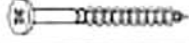












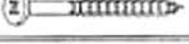






CLEANING - To remove marks and enhance the surface, wipe over with a general purpose cleaner.




CAUTION - Do not use ammonia based cleaning agents. Do not use harsh chemicals or abrasive cleaners. The surface can be wiped with a damp cloth but should be dried quickly.

If you have missing or damaged parts please call Kangaroo Kabinets at 1-800-533-7347




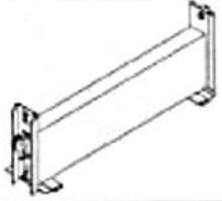













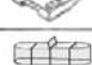


or email us at: cs@kangarookabinets.com

Also visit our website: www.kangarookabinets.com

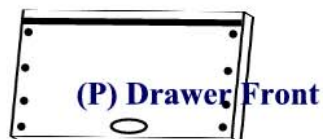
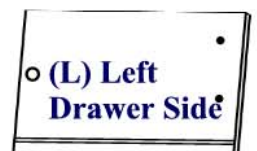
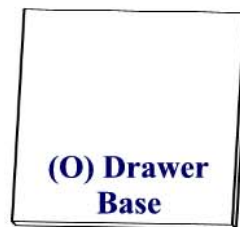
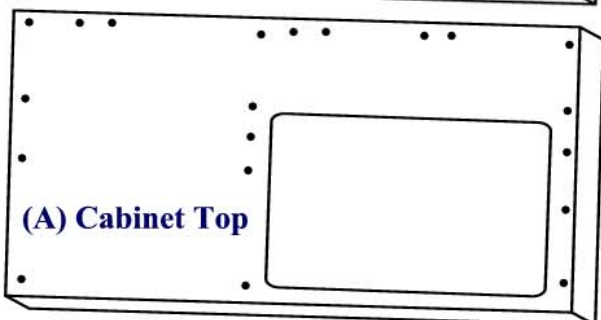
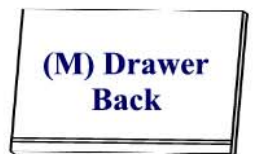
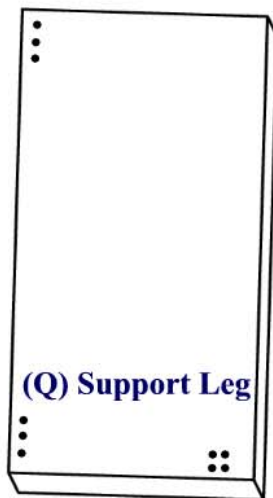
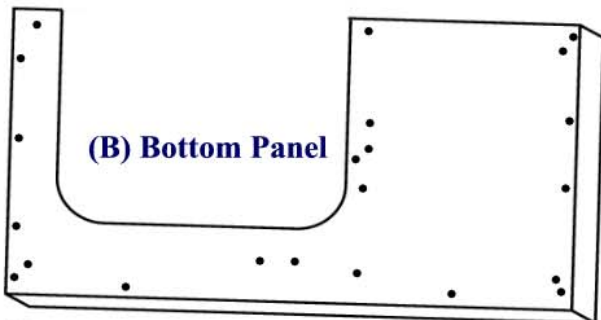
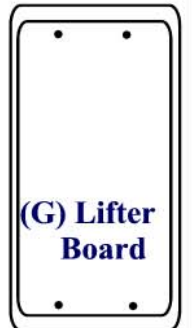
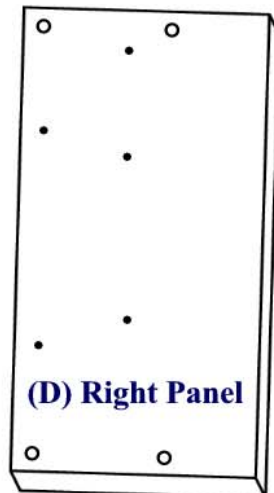
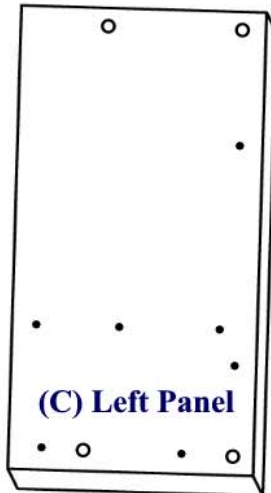
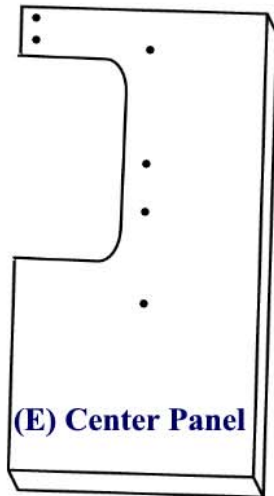
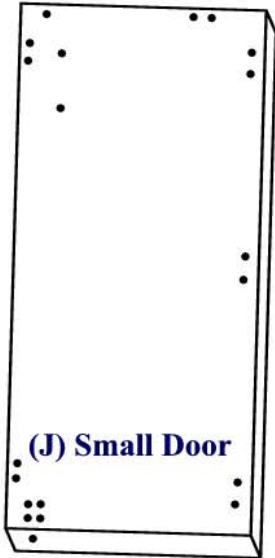
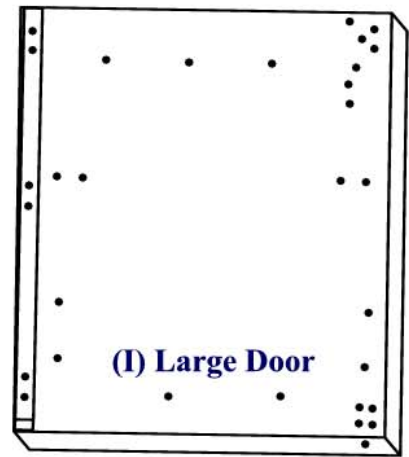
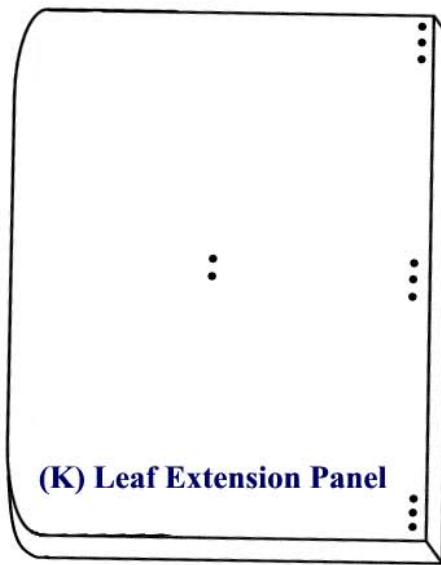
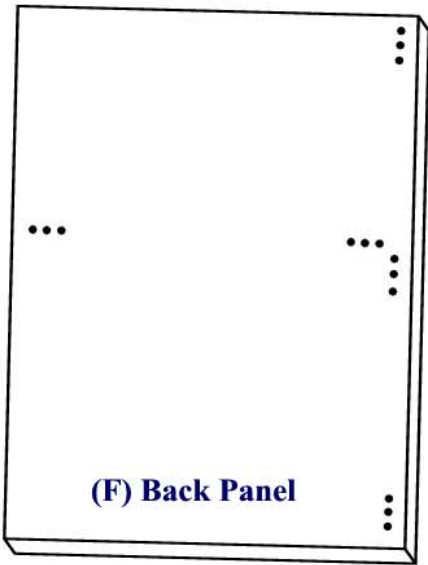
COMPONENTS	DESCRIPTION	QTY
	Cam Bolt 24mm	12
	Cam (A) 15 x 15mm	10
	Screw (Silver) 5 x 57mm	6
	Cover Cap	4
	Dowel 8 x 30mm	28
A 	Screw 3.4 x 15mm	94
D 	Screw 3.5 x 18mm	6
E 	Screw 3 x 25mm	13
F 	Screw 6 x 10mm	4
	Caster Washer	5
	Non-Locking Caster	5
	Locking Caster	3
	Caster Bracket	3
	Caster Wrench	1
	Cam (B) 15 x 10mm	2
	Screw (Brass) 4 x 32mm	4
	Flap Hinge	3
	Butt Hinge	2
	Flush Hinge	6
	Drawer Runner*	1 Set
	Bow Handle + Screws	2
	Glue Bottle	2

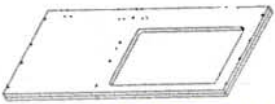
	Lock Striker	1
	Equalizer	2
	Lock & Key	1

*Excludes pre-attached Drawer Runners on Drawer Sides

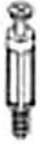
COMPONENTS	DESCRIPTION	QTY
	Insert Holder	1
	Lifter Rail (Right)	1
	Lifter Rail (Left)	1
	Lifter	1
	Support Leg Button	1
	Door Plate	2
	Swivel Tray Bracket	2
	Door Shelf (Left)	1
	Door Shelf (Right)	1
	Large Bucket	1
	Swivel Tray	2
	Cotton Reel Insert	2
	Drawer Tray	1
	Plastic Handle	1
	Stay Arm	1
	Stay Arm Bracket	1
	Lock Hole	1
	Ramp	3
	Basket Insert	1
	Pin Cushion Foam	2

Wallaby Panels and their Descriptions





Cabinet Top (A)



Cam Bolt (x5)



Stay Arm



Ramp (x2)

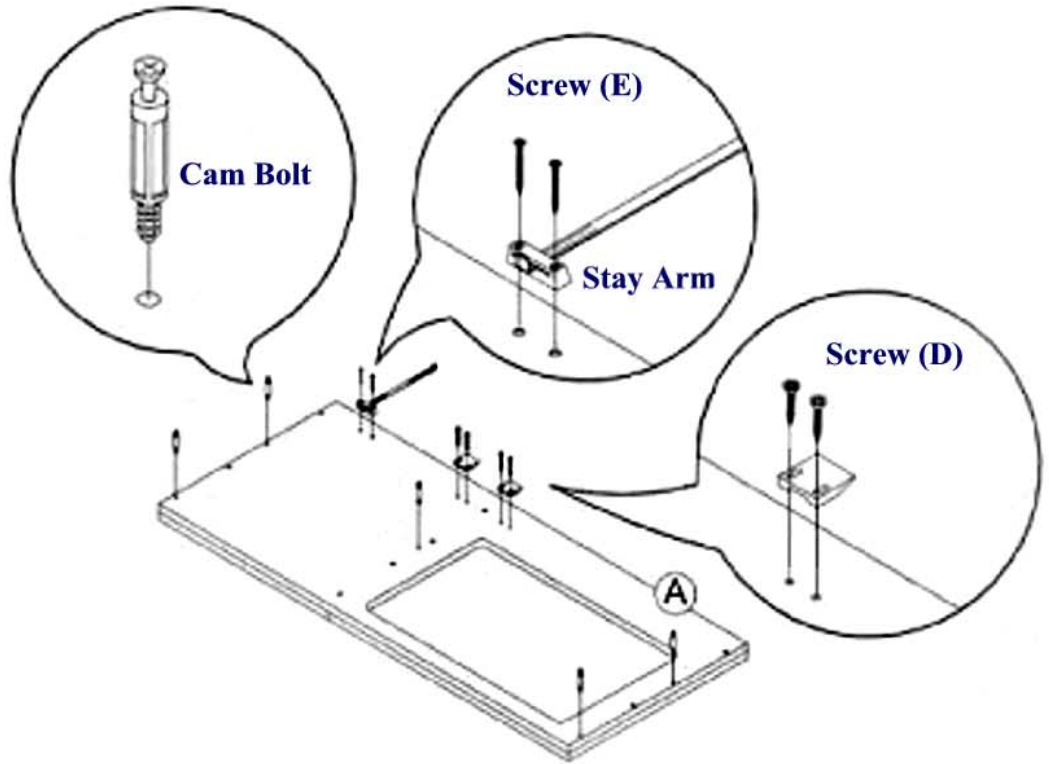


Screw (E) 3 x 25mm (x2)

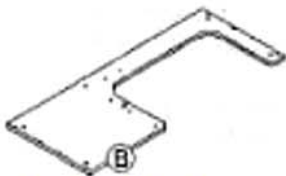


Screw (D) 3.5 x 18mm (x4)

Step 1: Screw Cam Bolts into Cabinet Top (A) as shown. Attach the Ramps to the Top (A) using 4 (D) Screws. Attach the Stay Arm to the Top (A) using 2 (E) Screws.



Cam Bolt (x5)



Bottom Panel

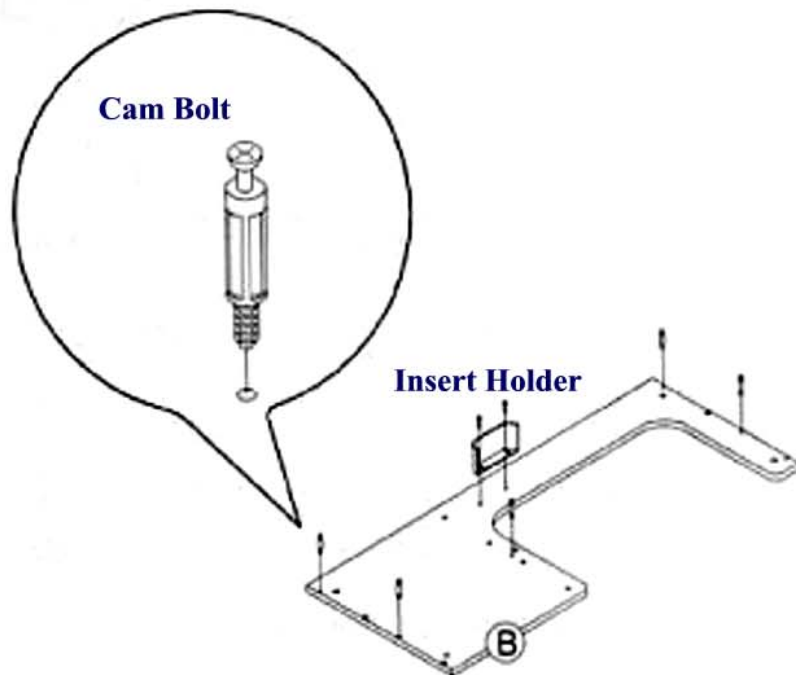


Insert Holder



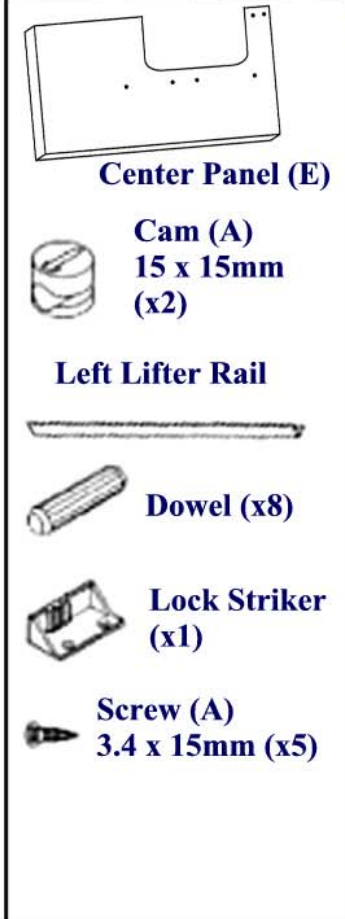
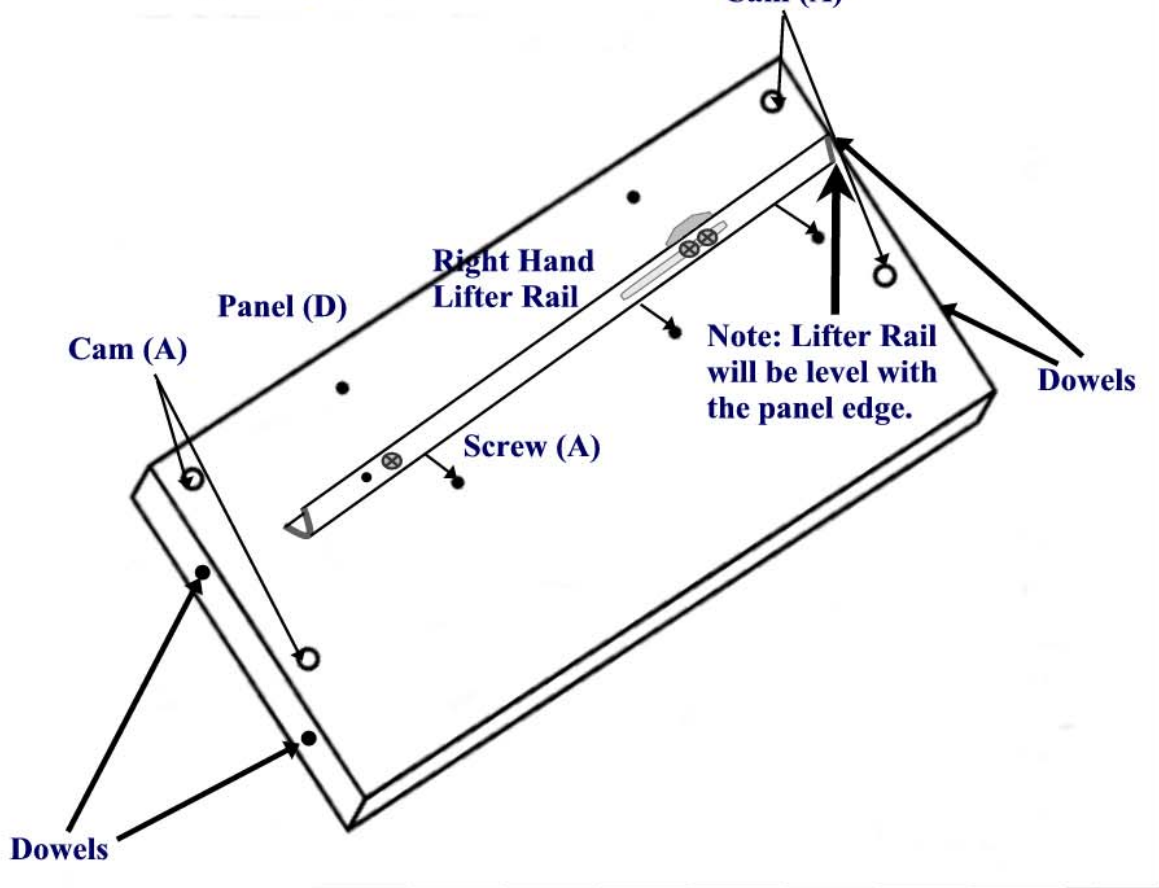
Screw (A) 3.4 x 15mm (x2)

Step 2: Screw Cam Bolts into Bottom Panel (B) as shown. Attach Insert Holder to Bottom Panel (B) using 2 (A) Screws.

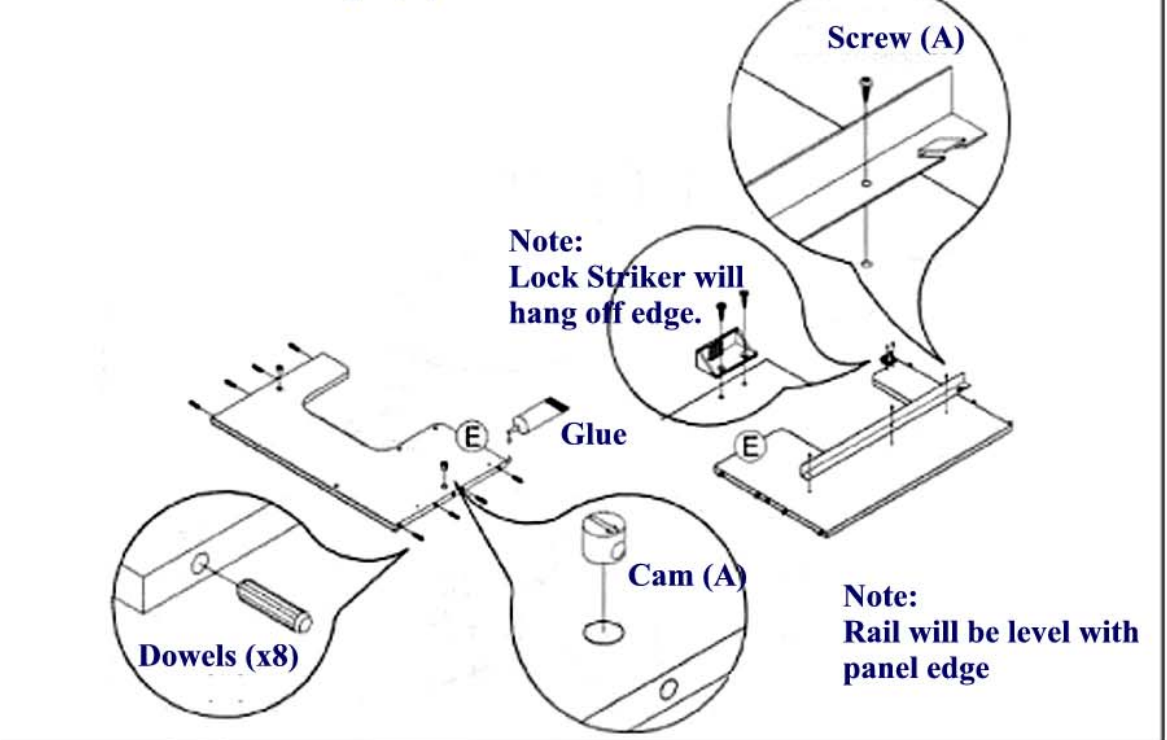


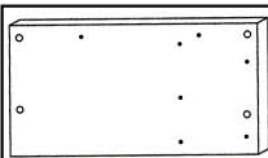


Step 3: Insert 4 Dowels into dowel holes on Right Panel (D) using 2 to 3 drops of Glue. Place 4 (A) Cams into the large holes on Panel (D) as shown. The arrow on the cam will face the closest edge. Screw Right Lifter Rail into Panel (D) using 3 (A) Screws.



Step 4: Press fit 2 Cams into Center Panel (E). Ensure the arrow on the Cam points to the closest edge. Place 2 to 3 drops of glue in the dowel holes on the edges of Panel (E) then tap 8 Dowels into place. Flip over Panel (E) and proceed to screw in Left Lifter Rail using 3 (A) Screws. Screw on Lock Striker using 2 (A) Screws.





Left Panel (C)

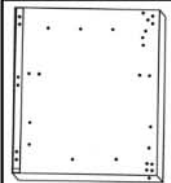
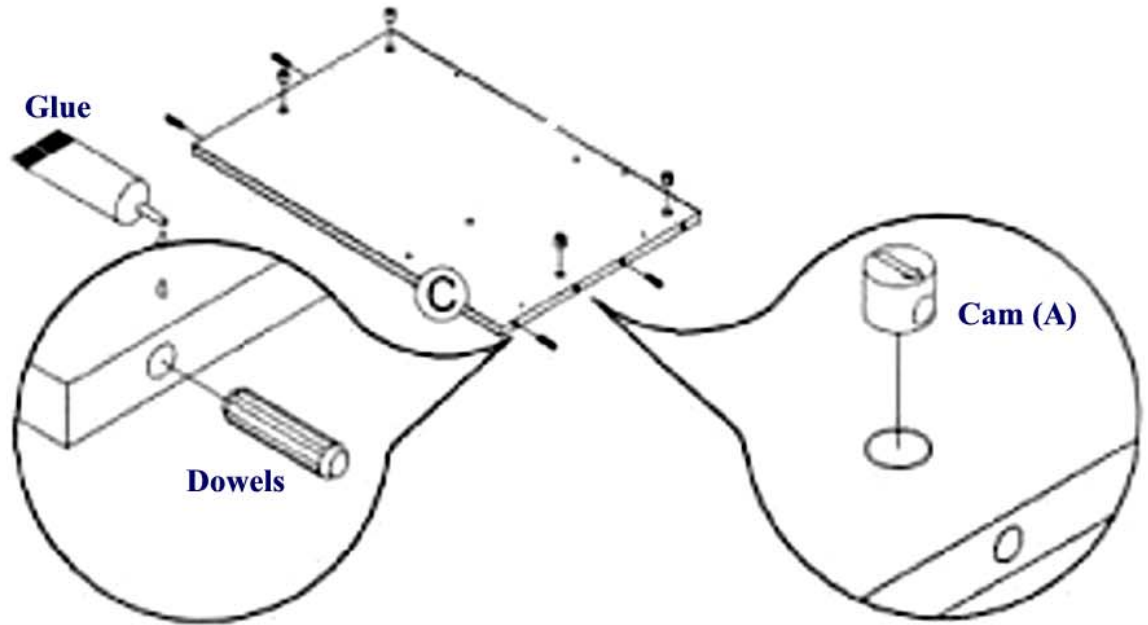


Cam (A)
15 x 15mm (x4)



Dowel (x4)

Step 5: Press fit 4 (A) Cams in the Left Panel (C). Ensure the arrow on the Cams points to the nearest edge. Place 2 to 3 drops of Glue in the dowel holes and insert 4 Dowels into edge of Panel (C).



Large Door (I)



Flush Hinge
(x3)



Caster Bracket (x1)



Locking Caster (x1)



Equalizer (x1)

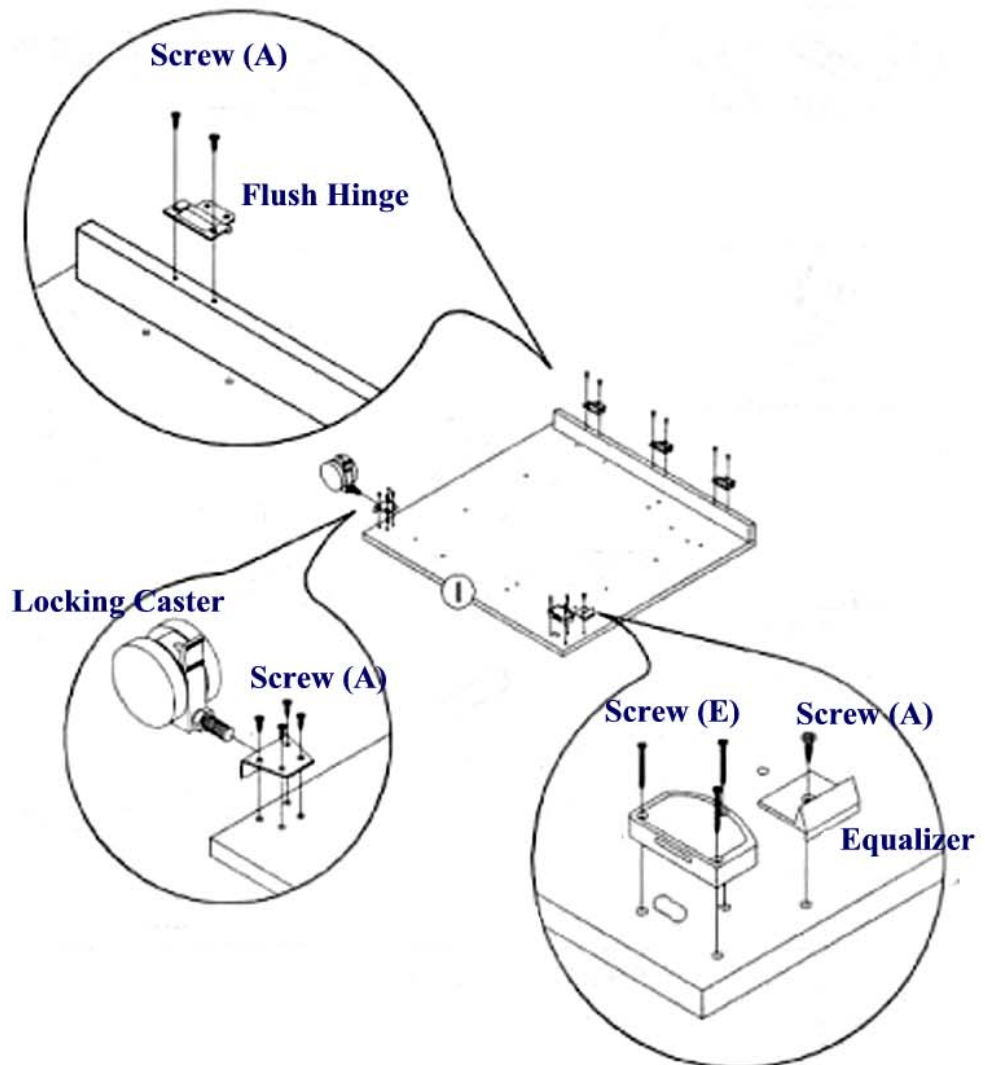


Lock (x1)

Screw (A)
3.4 x 15mm (x11)

Screw (E)
3 x 25mm (x3)

Step 6: Attach 3 Flush Hinges, 1 Caster Bracket and 1 Equalizer using 11 (A) Screws. Screw on 1 Locking Caster using the Caster Wrench provided. Attach Lock using 3 (E) Screws.





Large Door Assembly



Left Door Shelf



Right Door Shelf

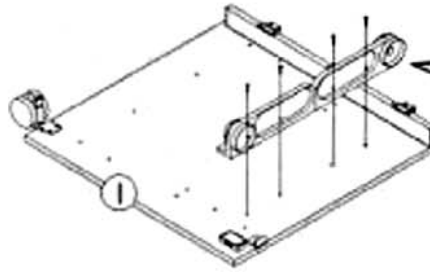


Swivel Tray Assembly (x2)

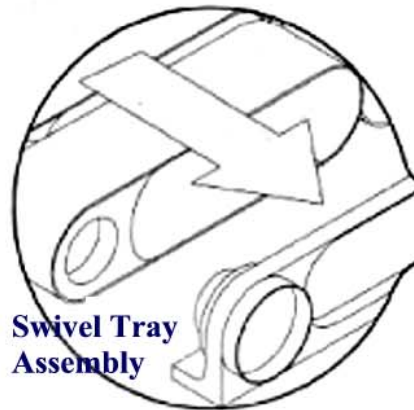


Screw (E) 3 x 25mm (x4)

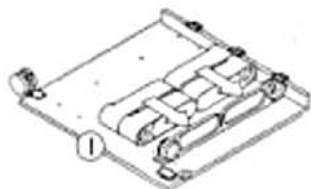
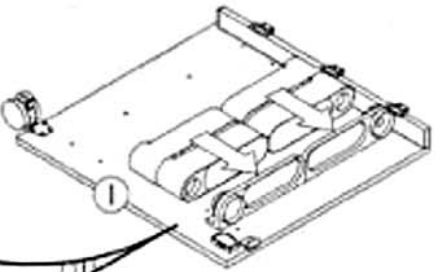
Step 7: Attach Left Hand and Right Hand Door Shelf using 4 (E) Screws. Insert Swivel Tray assembly into the Left and Right Door Shelf.



Screw (E)



Swivel Tray Assembly



Large Door Assembly



Swivel Bracket (x2)



Large Bucket

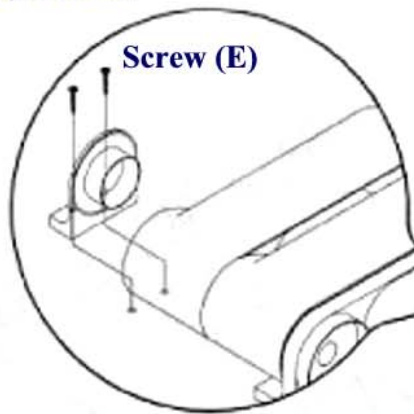


Screw (E) 3 x 25mm (x4)

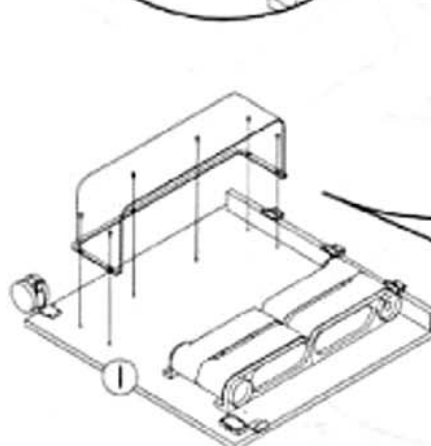
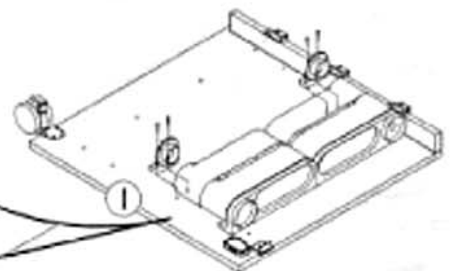


Screw (A) 3.4 x 15mm (x6)

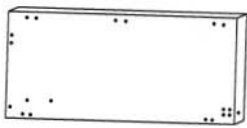
Step 8: Attach 2 Swivel Brackets using 4 (E) Screws. Screw on Bucket using 6 (A) Screws.



Screw (E)



Screw (A)



Small Door (J)



Stay Arm Bracket



Flush Hinge(x3)



Door Plate (x2)



Caster Bracket (x1)



Locking Caster (x1)

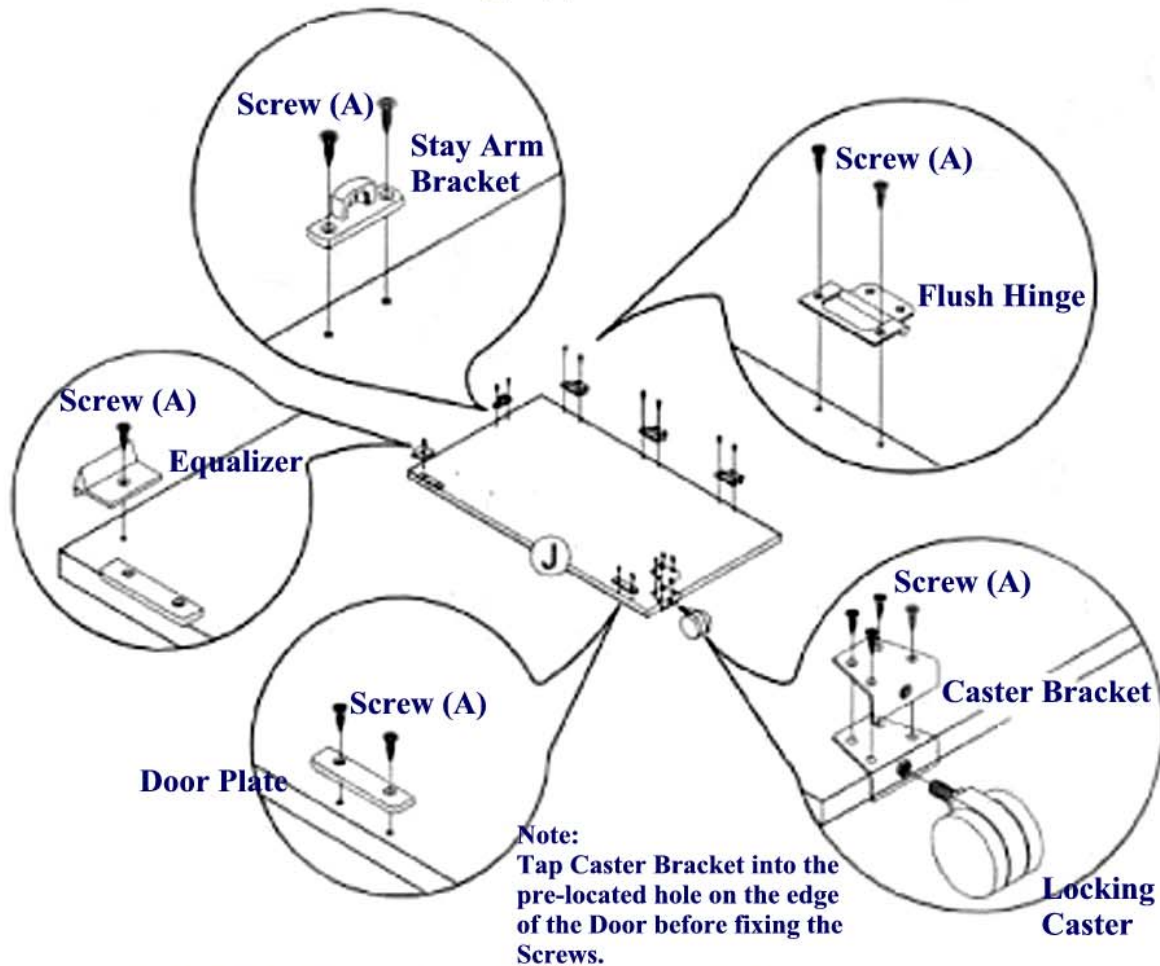


Screw (A)
3.4 x 15mm (x15)

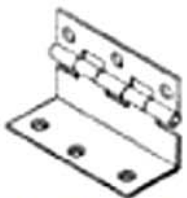


Equalizer (x1)

Step 9: Attach Stay Arm Bracket using 2 (A) Screws. Attach Flush Hinges using 6 (A) Screws. Attach 1 Caster Bracket using 4 (A) Screws. Screw on 1 Lockable Caster using the Wrench provided. Screw on 1 Equalizer using 1 (A) Screw. Screw on 2 Door Plates using 4 (A) Screw.



Leaf Extension Panel (K)



Flap Hinge (x3)



Ramp (x1)

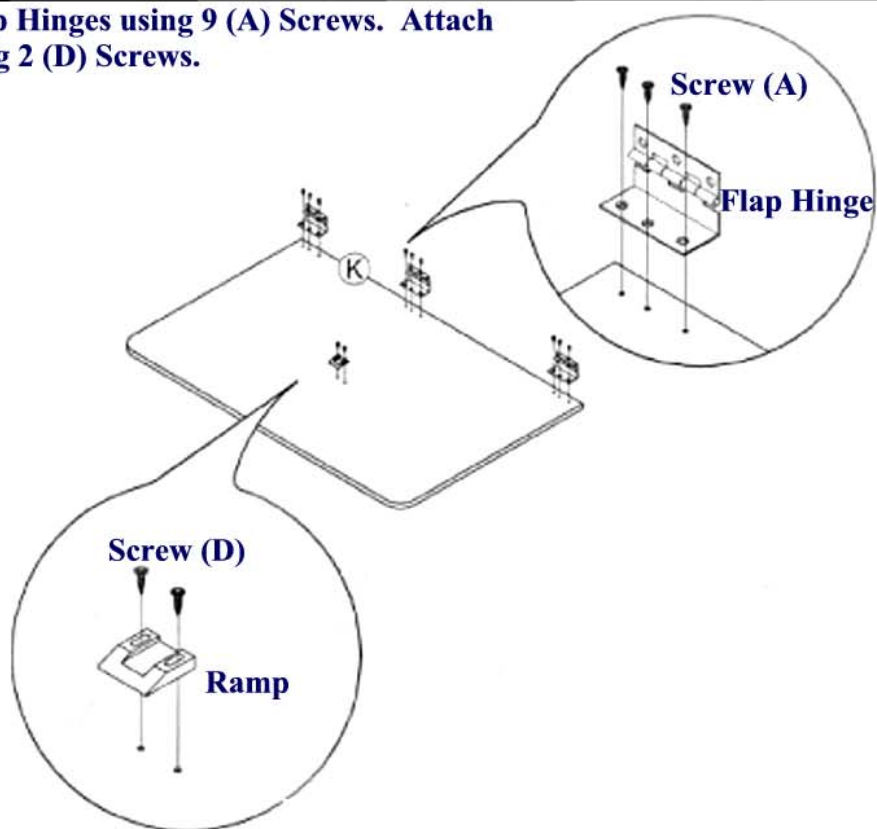


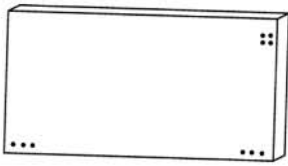
Screw (D)
3.5 x 18mm (x2)



Screw (A)
3.4 x 15mm (x9)

Step 10: Attach 3 Flap Hinges using 9 (A) Screws. Attach 1 Ramp using 2 (D) Screws.





Support Leg (Q)



Gate Leg Button



Butt Hinge (x2)



Caster Bracket (x1)

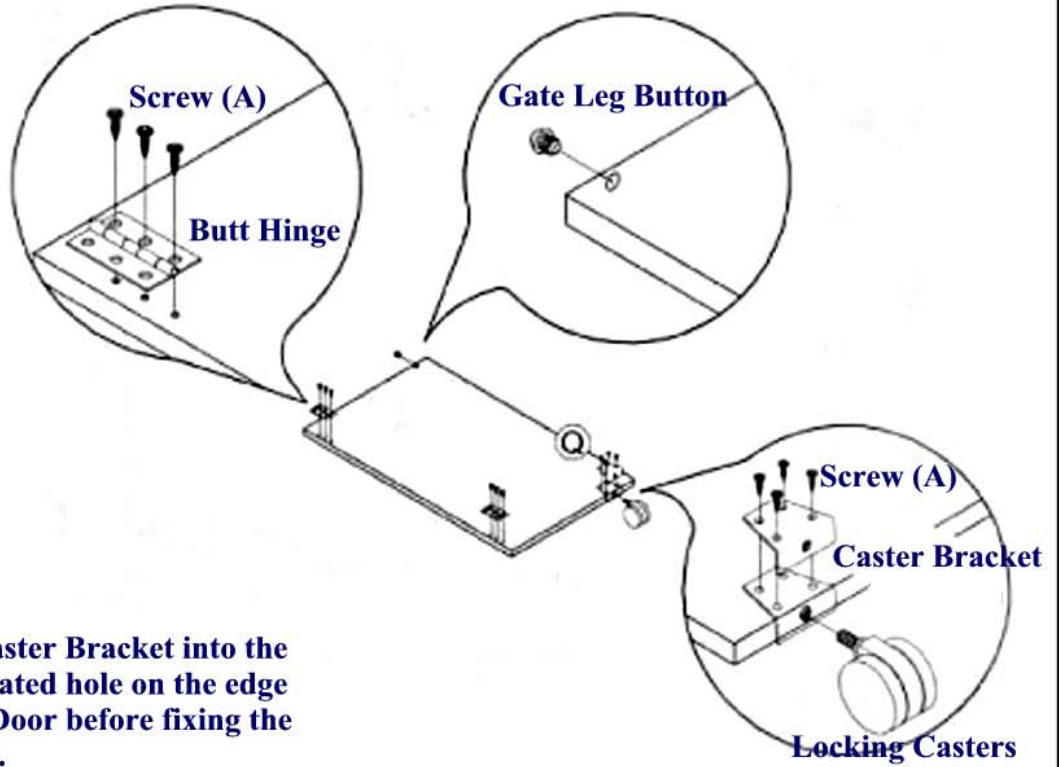


Locking Casters (x1)

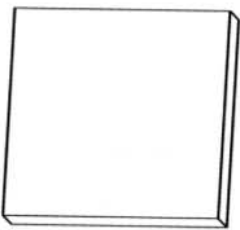


Screw (A)
3.4 x 15mm (x10)

Step 11: Tap Gate Leg Button into edge of Support Leg Panel (Q). Attach 2 Hinges using 6 (A) Screws to Panel (Q). Attach 1 Caster Bracket using 4 (A) Screws. Screw on Locking Caster using Wrench provided.



Note:
Tap Caster Bracket into the pre-located hole on the edge of the Door before fixing the Screws.



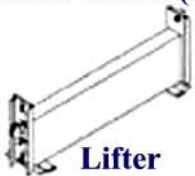
Shelf Leaf (H)



Dowel (x6)



Lifter Board (G)

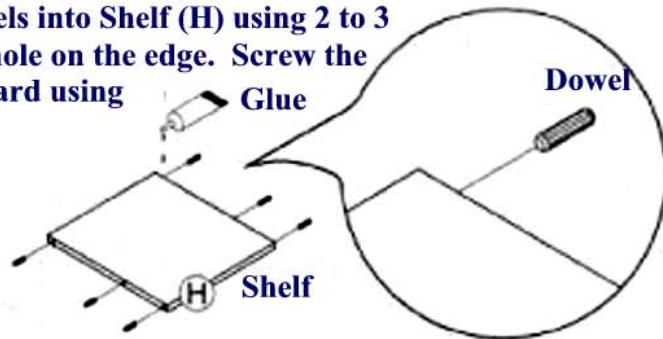


Lifter

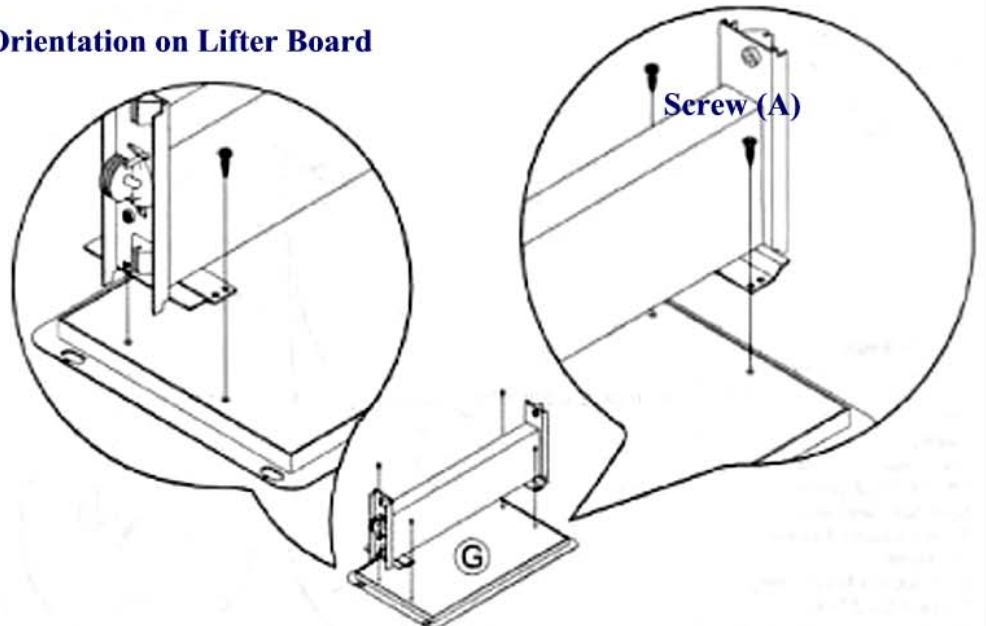


Screw (A)
3.4 x 15mm (x4)

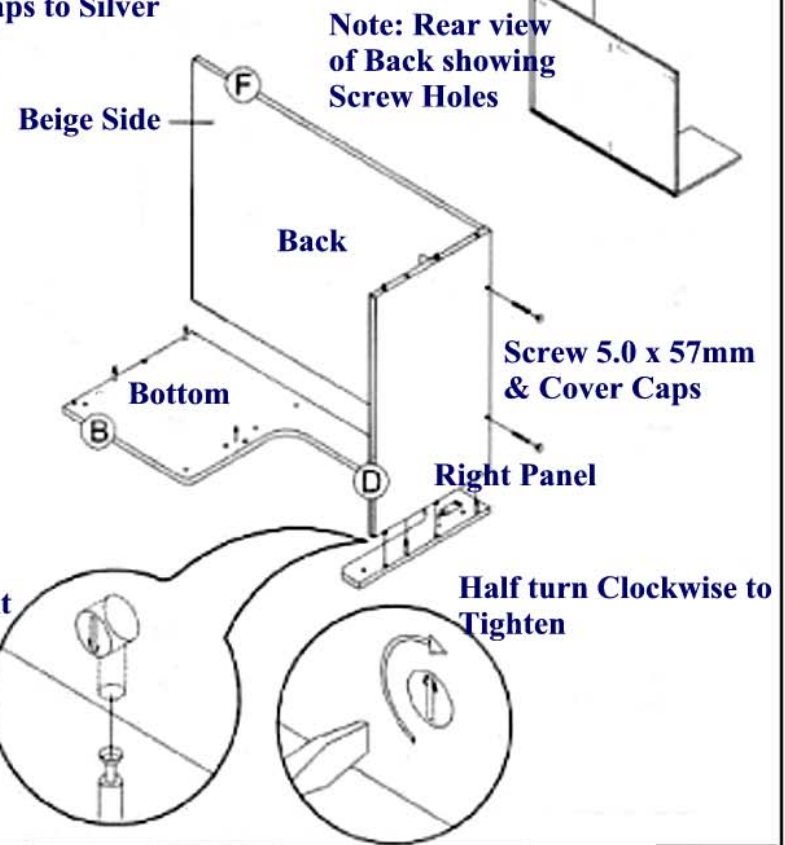
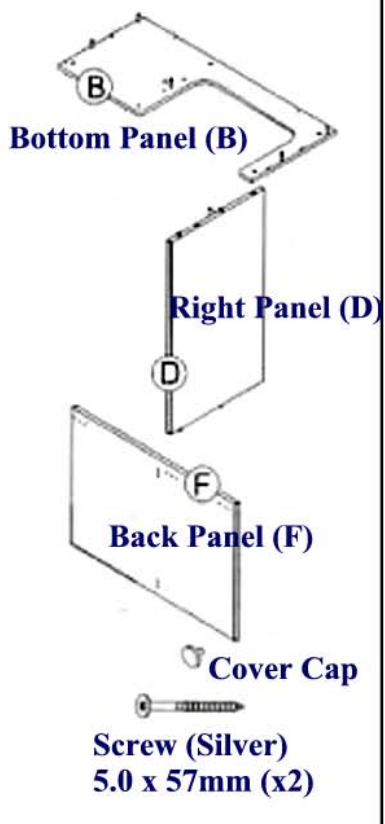
Step 12: Insert 6 Dowels into Shelf (H) using 2 to 3 drops of glue in each hole on the edge. Screw the Lifter to the Lifter Board using 4 (A) Screws.



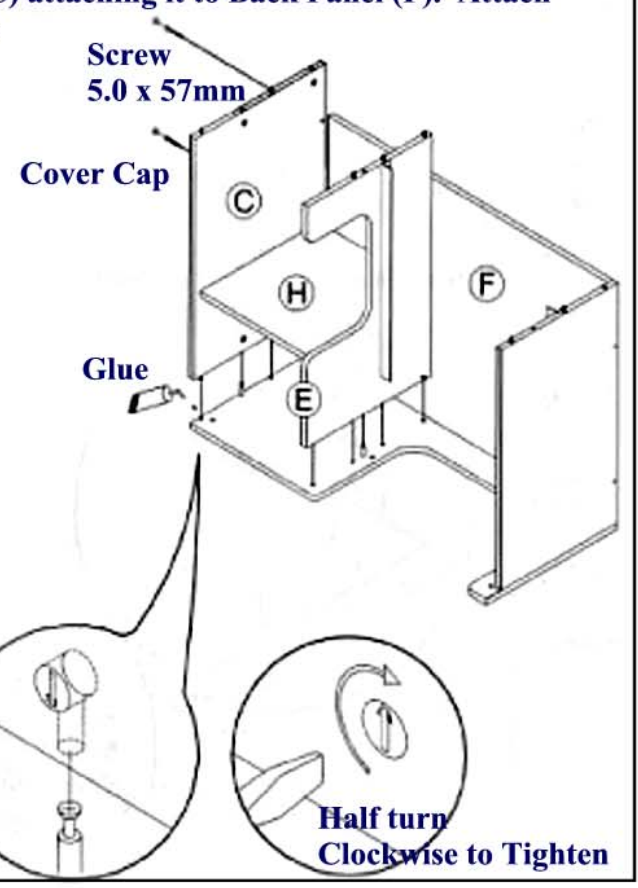
Note: Lifter Orientation on Lifter Board



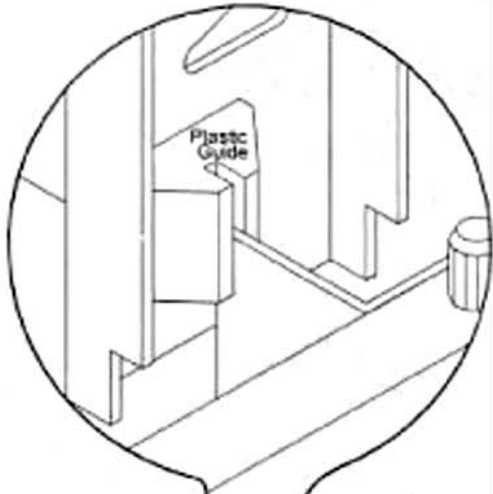
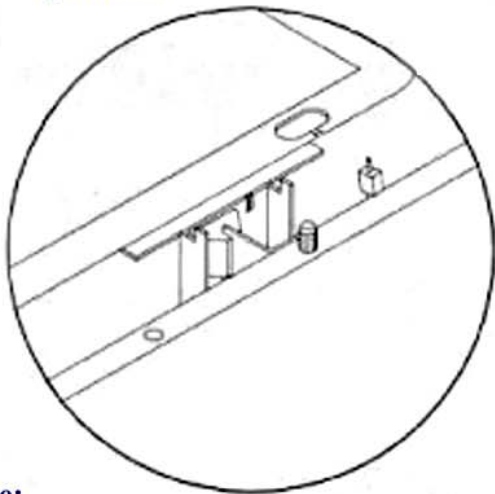
Step 13: Place 2 to 3 drops of Glue in the dowel holes on the edge of Bottom Panel (B). Attach Panel (D) to Bottom Panel (B) as shown, tightening the Cams. Position Back Panel (F) against Right Panel (D) and insert Silver Screws 5 x 57mm as shown. Add Cover Caps to Silver Screw heads.



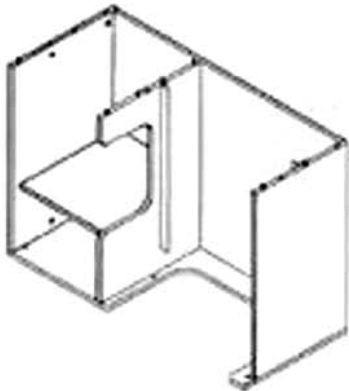
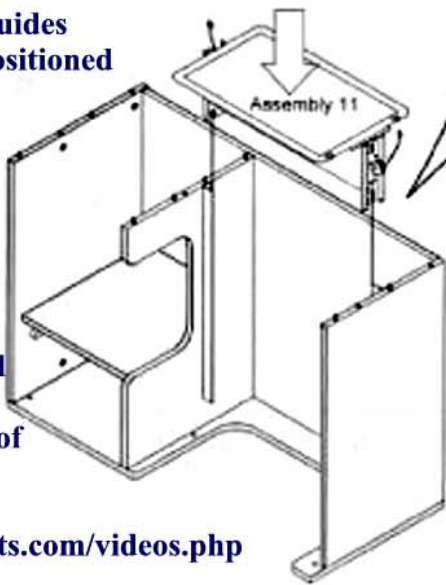
Step 14: Place 2 to 3 drops of glue into dowel holes on the edge of Left Panel (C) and Center Panel (E). Attach Panel (C) to Bottom Panel (B), tighten Cams. Insert Silver Screws into Panel (C) attaching it to Back Panel (F). Attach Panel (E) to Panel (B) but do not tighten Cams on Panel (E) yet. Insert Shelf Leaf (H) into Panels (C) and (E), now tighten Cams on Panel (E). Add Cover Caps to Silver Screw heads.



Step 15 Position Lifter guides over Rails and gently slide the Lifter into position.



Note:
Ensure all 4 plastic guides
(2 on each side are positioned
correctly)



Cabinet Assembly



Lifter Board Assembly

If you need additional help please visit our website to see a video of our alternate method:

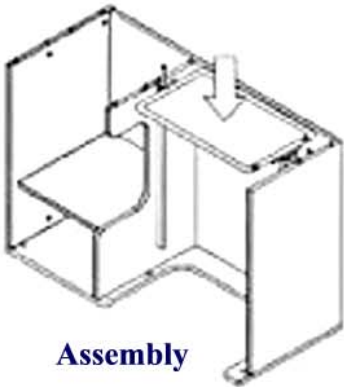
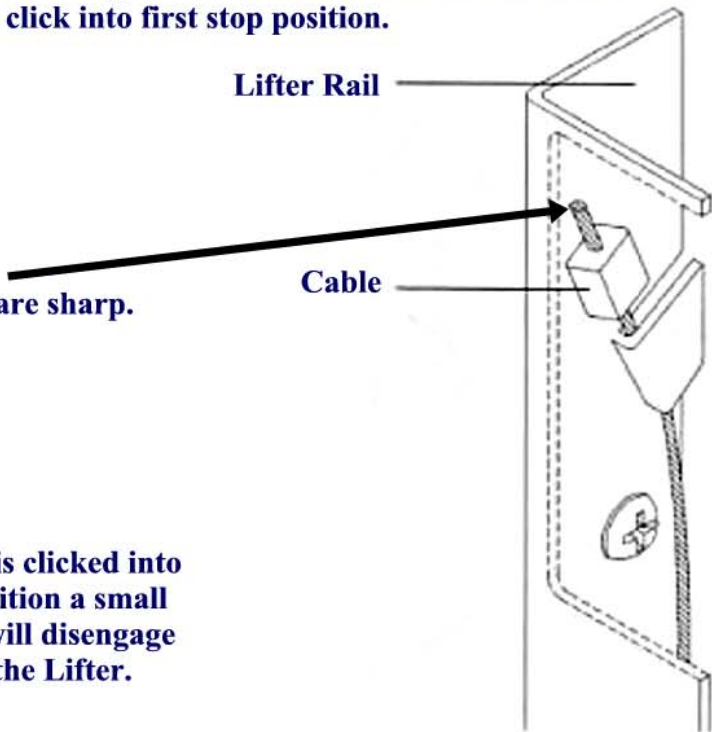
www.kangarookabinets.com/videos.php

Step 15: Loop Cable through Metal Tab on Lifter Rails & secure. Push Lifter down and click into first stop position.

Lifter Rail

Cable

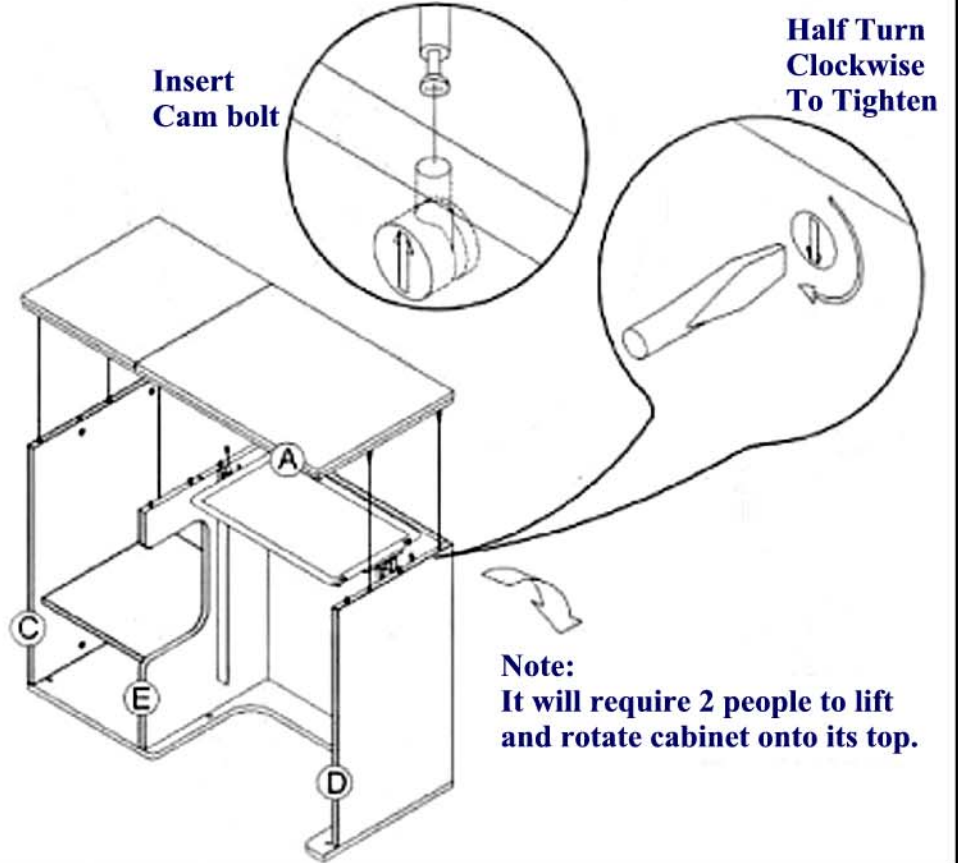
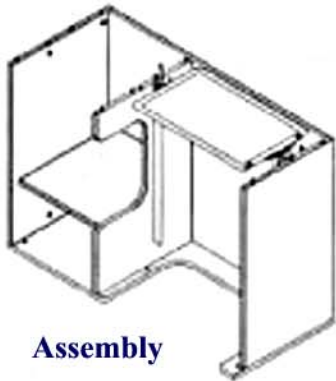
CAUTION:
Ends of Cables are sharp.



Assembly

Note:
When the Lifter is clicked into
this first stop position a small
block of timber will disengage
from the rear of the Lifter.
Discard block

Step 16: Place 2 to 3 drops of Glue into each Dowel hole of Cabinet Top (A). Attach Cabinet Top (A) to the Cabinet Assembly. Secure by tightening 5 Cams on the Assembly. Rotate Cabinet onto its Back and then onto its Top carefully.



Step 17: Secure the Bottom and Back together using 2 Silver Screws 5 x 57mm. Place Caster Washers over Caster thread and screw into Bottom Panel (B) using the Wrench.

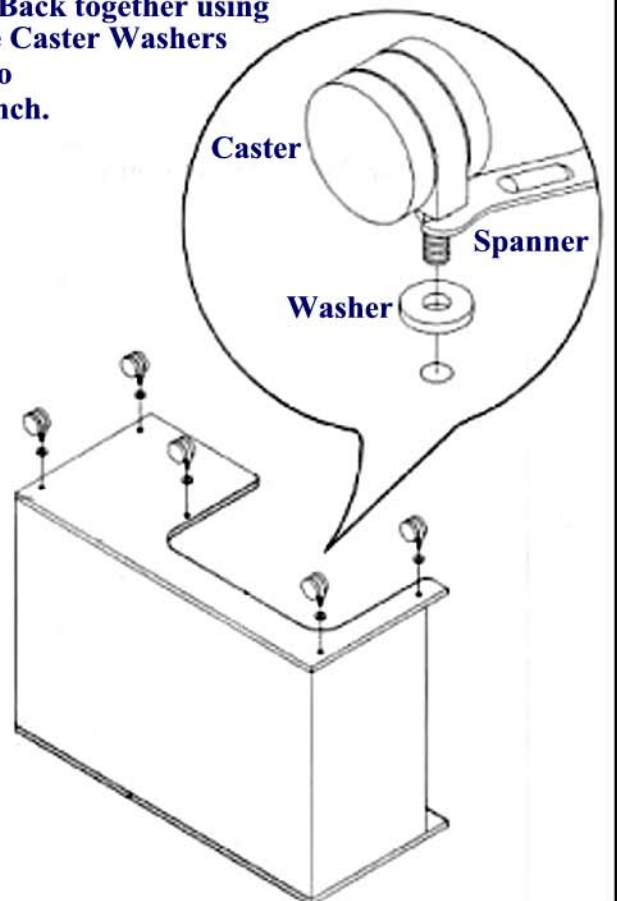
Screw (Silver)
5.0 x 57mm (x2)



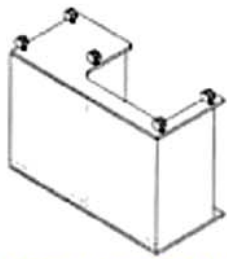
Caster 50mm (x5)



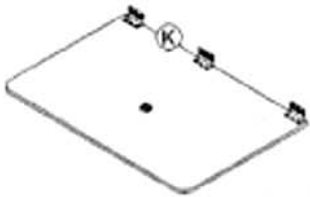
Washer (x5)



**Step 18: Fix the Back Flap to the Cabinet using 9 (A) Screws.
Optional: Use foam from box packaging to support the Back Flap Assembly at the right height for inserting screws.**



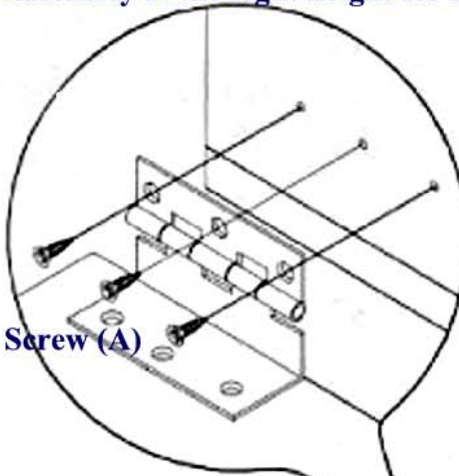
Cabinet Assembly



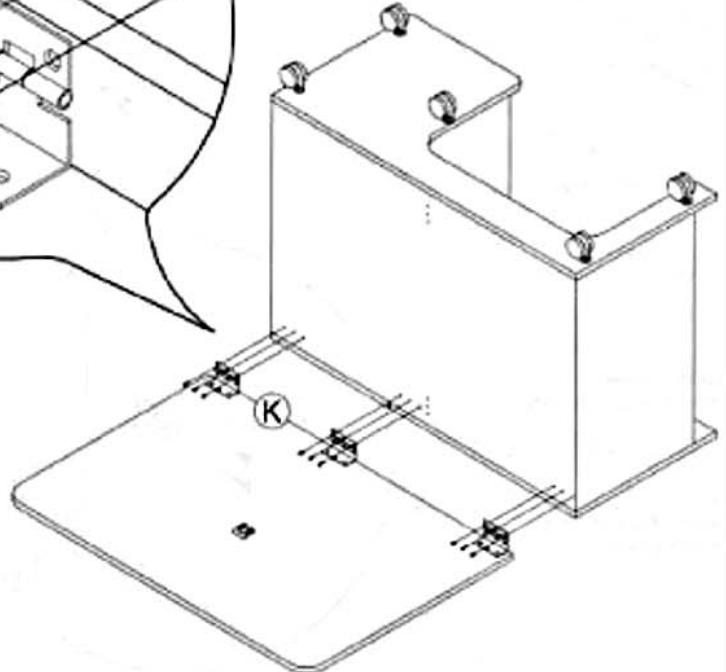
Back Flap Assembly



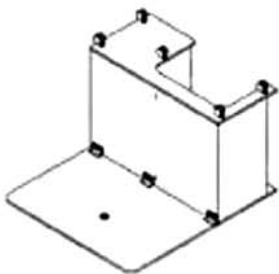
Screw (A) 3.4 x 15mm (x9)



Screw (A)



**Step 19: Attach Support Leg (Q) to the back of Cabinet using 6 (A) Screws.
Swing Gate Leg against Back Panel. Roll Cabinet back over onto Casters.**



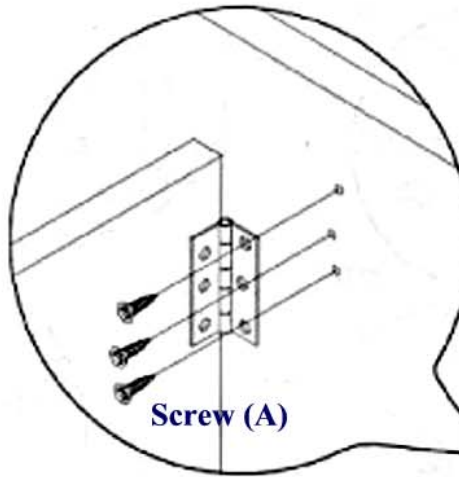
Cabinet Assembly



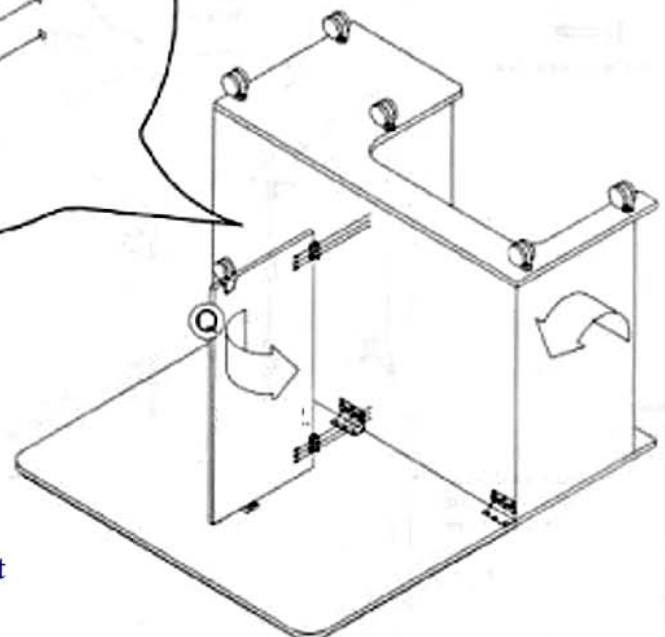
Support Leg Assembly (Q)



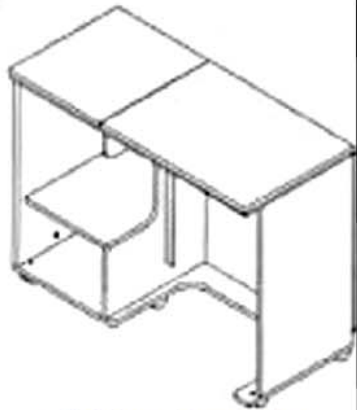
Screw (A) 3.4 x 15mm (x6)



Screw (A)



**Note:
It will require 2 people to lift
and rotate Cabinet safely**

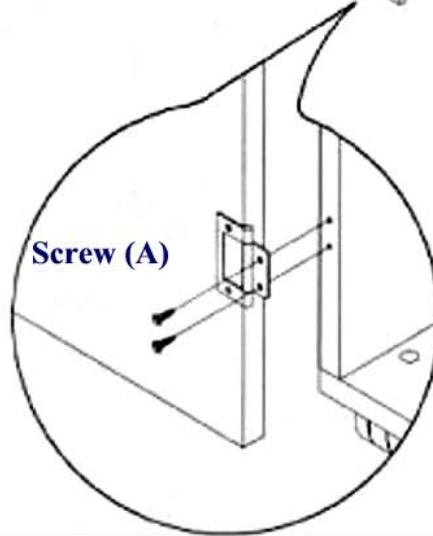


Cabinet Assembly

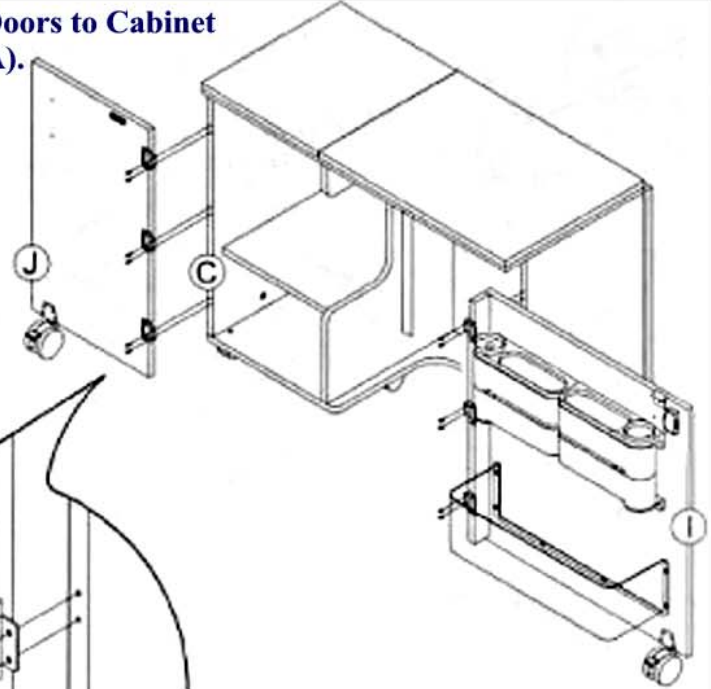


Screw (A)
3.4 x 15mm (x12)

Step 20: Fit Small & Large Doors to Cabinet Ends using Screw (A).



Screw (A)



Note: Fit Screws into pre-drilled holes and secure.



**Left and Right
Drawer Runners**



Screw 6 x 10mm (x4)



Lock Hole

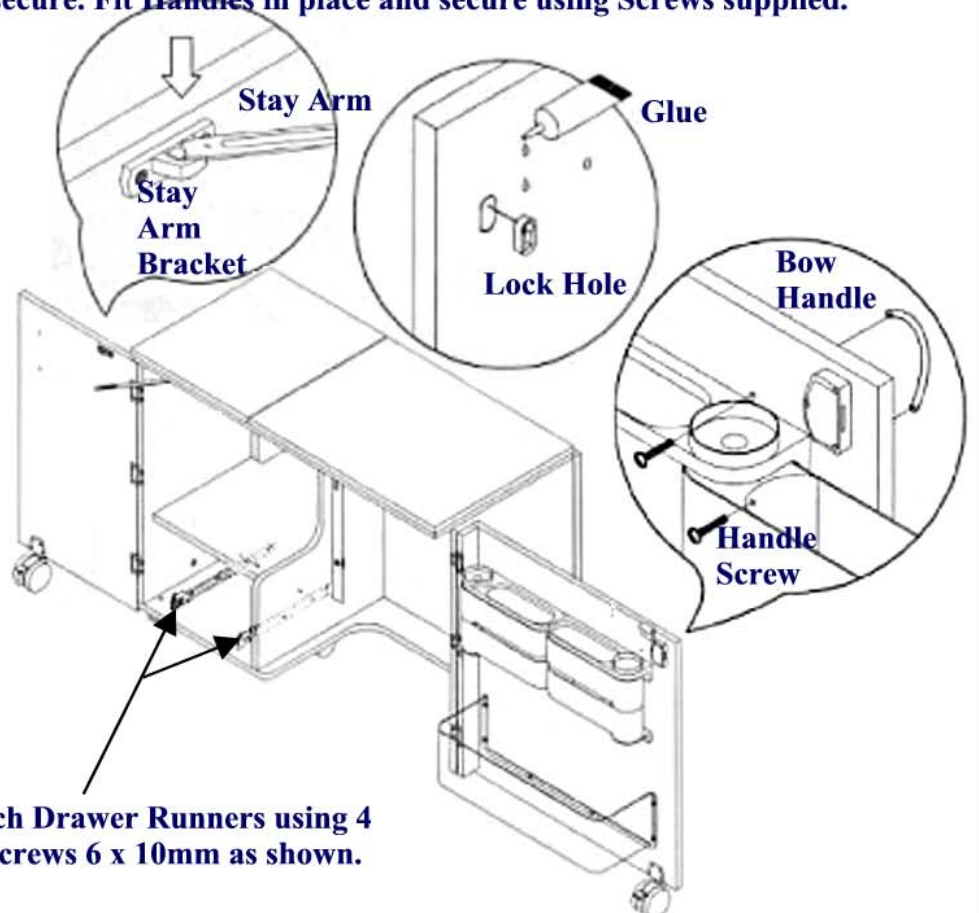


Bow Handle (x2)



Handle Screw (x4)

Step 21: Add a couple of drops of glue to the Lock Hole and press it flush into the Large Door. Extend Stay Arm and position over the Stay Arm Bracket on the Small Door. Press the end of the Arm firmly and clip into Bracket to secure. Fit Handles in place and secure using Screws supplied.



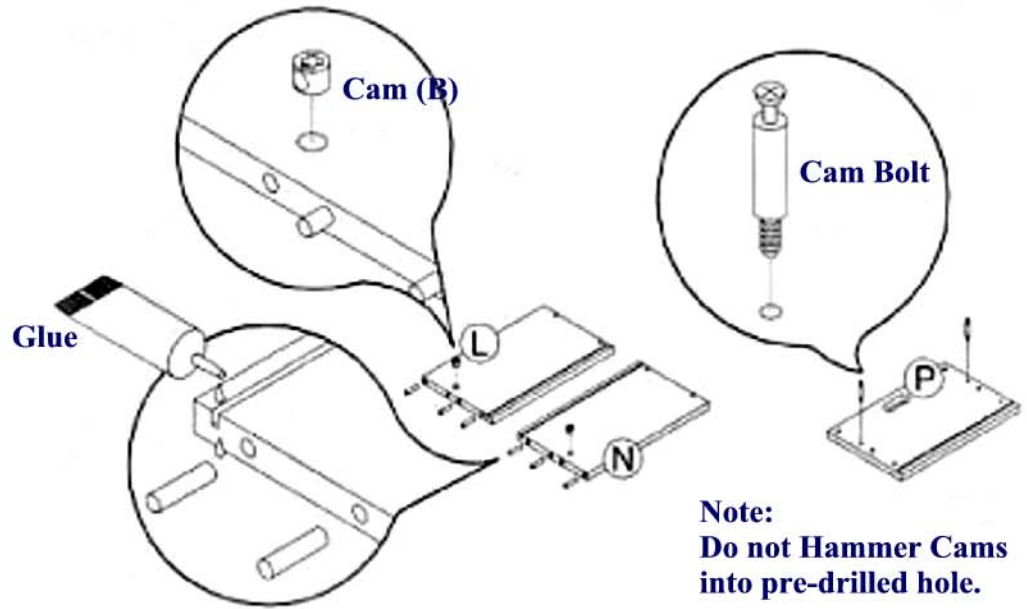
Attach Drawer Runners using 4 (F) Screws 6 x 10mm as shown.

Step 22: Place 2 to 3 drops of glue in each dowel hole in the Drawer Sides and insert 6 Dowels. Insert the Cam Bolts into the Drawer Front as shown. Insert Cams into the Drawer Sides ensuring the arrow points to the front edge.

Cam (B) 15 x 10mm (x2)

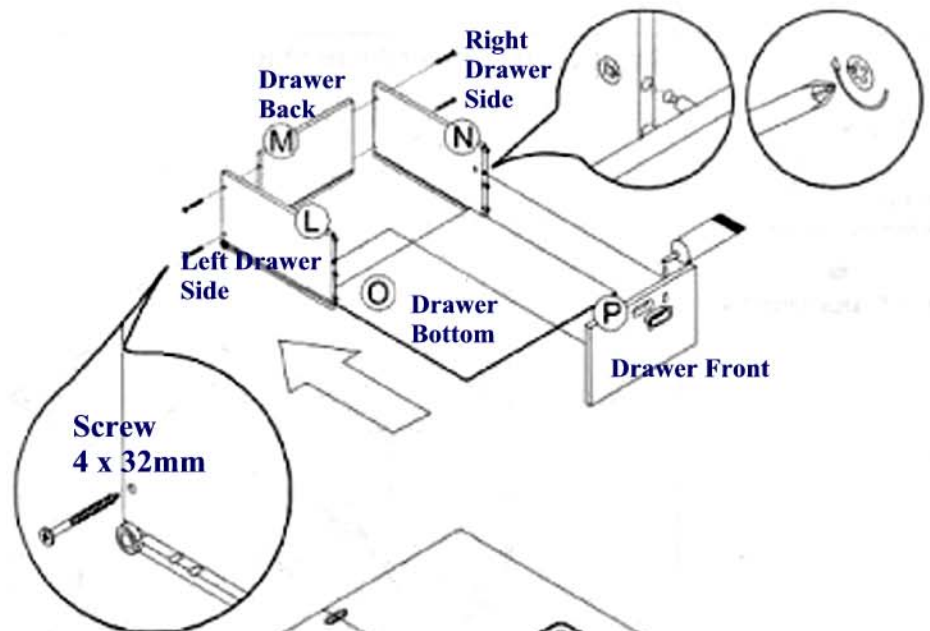
Dowel (x6)

Cam Bolt (x2)

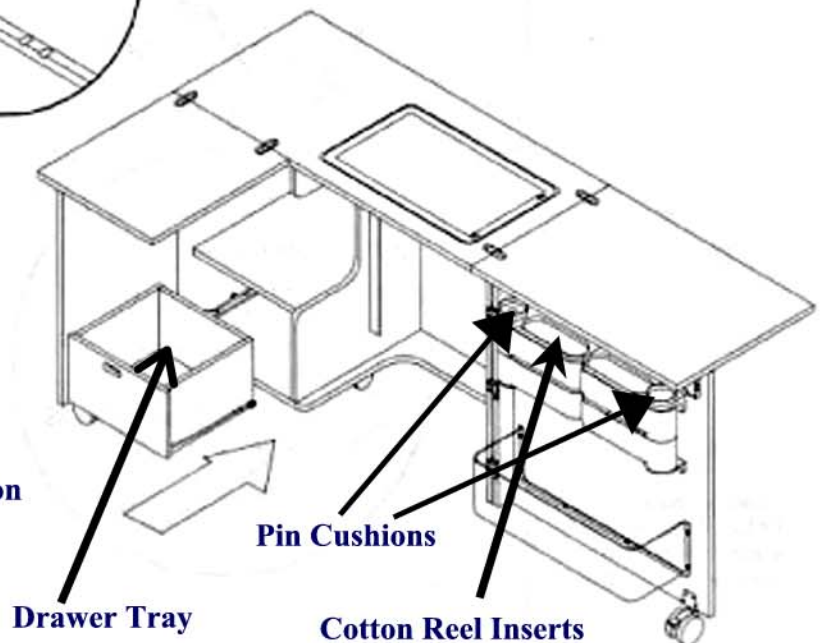


Drawer Handle

Screw (Copper) 4 x 32mm (x4)

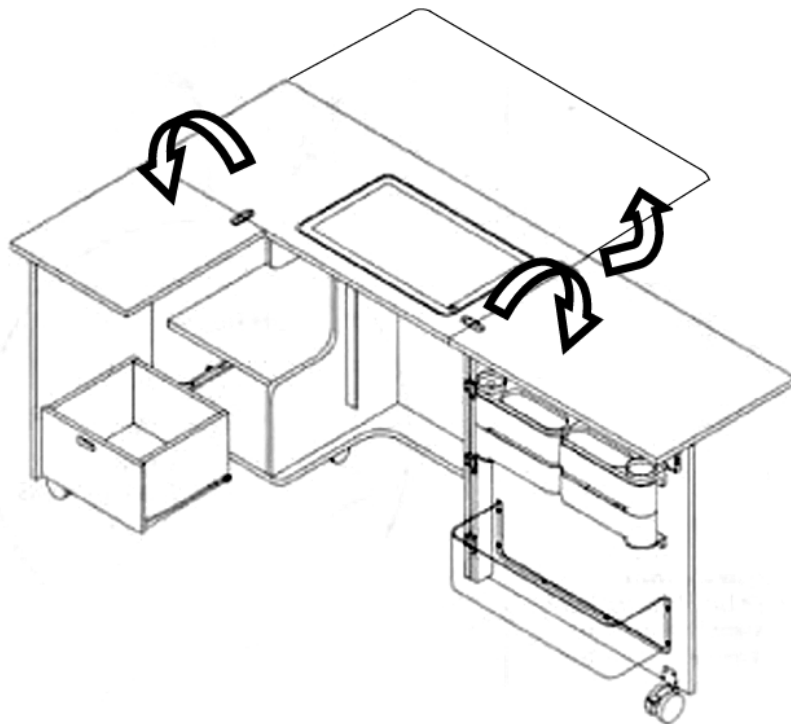


Step 23: Open Doors and swing Flaps onto top of Doors. Lift Back Flap up and swing Gate Leg into position and lock in place. Place 4 to 5 drops of glue around the Drawer handle and press fit into Drawer Front. Secure the Left & Right Drawer Sides to the Drawer Back using 4 Screws 4 x 32mm. Slide the Drawer Bottom into the Drawer Side groove. Place 2 to 3 drops of glue in the dowel holes in the Drawer Front. Secure the Drawer Front by turning the Cam a half turn clockwise. Locate the Drawer on the runners and slide into Cabinet. Place Drawer Tray on or in Drawer, Pin Cushion on Door Shelves Left and Right, and Cotton Reel Inserts into Shelves.



Operating Instructions

To open the Sewing Kabinet simply lift open the support leaves on the top. One opens to the right and is supported by the right, front door. The second leaf opens forward and is supported by the left, front door. Both of these leaves must be supported by the doors underneath if any pressure is to be placed on the leaves. The Quilt Leaf Extension on the back of the Kabinet folds upward and is supported by the support panel underneath. Opening the leaves without support from the doors can and will cause structural damage to the cabinet and your machinery as well as bodily harm to the user. If you have trouble with your doors being uneven, place a washer over the threaded peg of the caster between that and the door. This will raise the door up 1/8 inch.

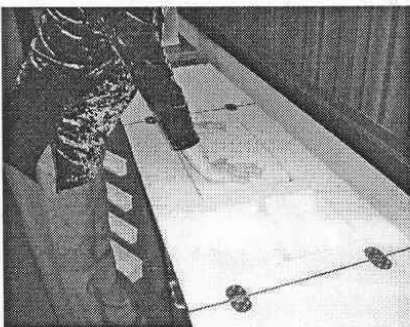


How To Work the Air Lift Mechanism

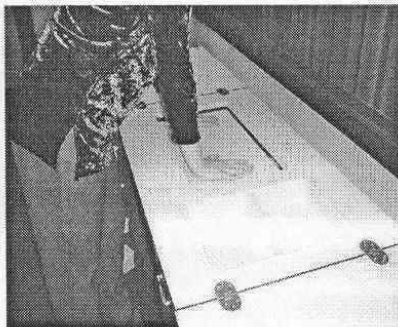
The Air Lift has 3 positions for your sewing machine: storage, flatbed and freearm.

Follow these simple instructions to move the Air Lift into the 3 Different Positions:

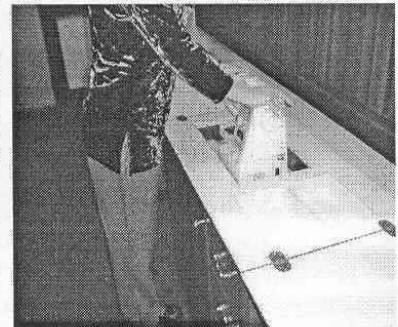
- 1) Once your cabinet is fully assembled you can begin moving the Air Lift
- 2) To activate the mechanism for the first time open the door on the cabinet and push down with 2 hands on the platform and release, as shown below in pictures 1 and 2.
- 3) The top position known as the freearm position usually takes 2 small pushes to activate. The freearm position has more resistance than the other two positions.
- 4) Once you are comfortable moving the platform up and down into the 3 positions place your sewing machine on the platform.
- 5) Before moving the platform with your sewing machine on it, check to see that your machine is sitting centered on the platform and will not hit the sides of the cabinet as it moves up and down in the cabinet.
- 6) Push down on your sewing machine sitting in the cabinet to activate the Air Lift, as shown below in picture 3.
- 7) Heavier machines (20 pounds or more) may move slower than other lightweight machines and may need assistance as they move into the top positions. Heavier machines may require you to lift slightly on the platform for machine to lock the Air Lift into position.



Picture 1



Picture 2



Picture 3

How to Adjust the Airlift Mechanism

To Adjust the height of the airlift mechanism in the flatbed position you will need to gather the following: Automatic Drill w/ Phillips screw bit and two people. First position the airlift in the flatbed position. Loosen both screws on the Right Lifter Rail 1/4" to 1/2" as shown in, FIG 1 and 2 however DO NOT loosen the screws completely out of the Lifter Rail. Next place your machine on the platform with a straight edge, have the second person push the platform down to the right height so the straight edge is touching the table top as shown in FIG 3 and 4. Tighten both screws on the Right Lifter Rail completely. The flatbed position should now be the right height for ideal sewing. For a video of this please visit the FAQ section of our website www.kangarookabinets.com.

FIG 1

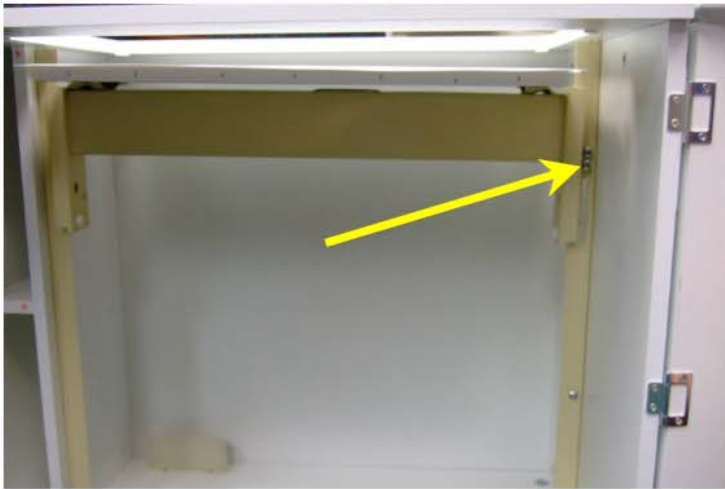


FIG 2



FIG 3



FIG 4

