

Setting the Embroidery Hoop

Hold the setting plate with both hands and insert them under the holder clips.

Slide the hoop on the hoop supporter until the holes catch the positioning pins on the hoop supporter.

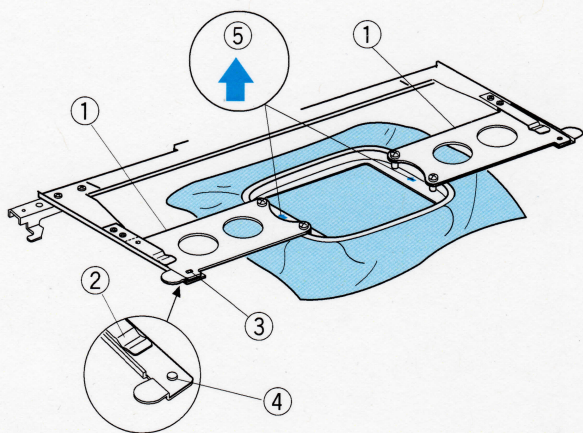
- ① Setting plate
- ② Holder clip
- ③ Hole in the setting plate
- ④ Positioning pin

NOTES:

Do not set the hoop front-side back or upside down. The arrow mark on the inner hoop should face away from you.

- ⑤ Arrow mark

Be careful not to pinch the fabric edge under the hoop supporter.



Adjusting the Hoop Supporter for Optional Hoops

The hoop supporter provides 2 alternate positions to adapt optional hoops available on the market, such as Tajima's hoop.

Remove setscrews on both left and right hoop supporter arms and remove them.

- ① Setscrew

Attach both hoop supporter arms to the hoop supporter bar in the position **B** or **C** depending on the hoop you wish to use.

Secure the supporter arms with the setscrews.

- ② Left hoop supporter arm
- ③ Right hoop supporter arm
- ④ Hoop supporter bar

NOTE:

Position **A** is for the standard hoops.

