

brother®

**Home Sewing Machine
PARTS REFERENCE LIST**

MODEL: 2340CV

MECHANISMS & ELECTRONICS

CONTENTS

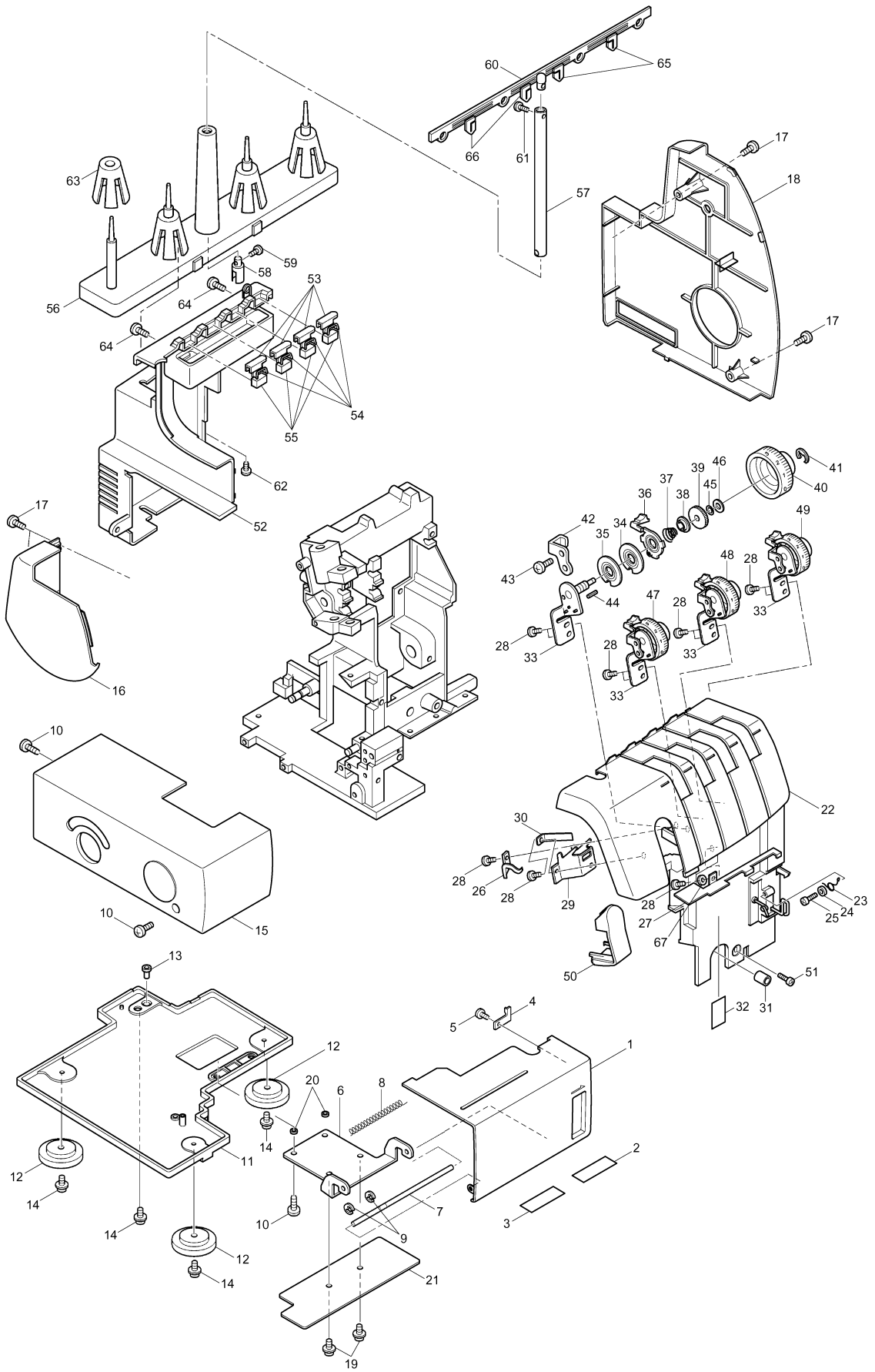
(1) PRINCIPAL PARTS / THREAD GUIDE MECHANISM	2
(2) NEEDLE BAR / PRESSER MECHANISM.....	4
(3) FEED / DRIVING SHAFT MECHANISM.....	6
(4) DOUBLE CHAIN MECHANISM	8
(5) LAMP / ELECTRONIC PARTS / MOTOR UNIT	10
(6) ATTACHMENTS / PRINTED MATTER / PACKING MATERIALS.....	12

Note on parts:

We keep performance parts for this sewing machine for at least 8 years after this model is discontinued. Performance parts are the necessary parts to maintain the function of the sewing machine.

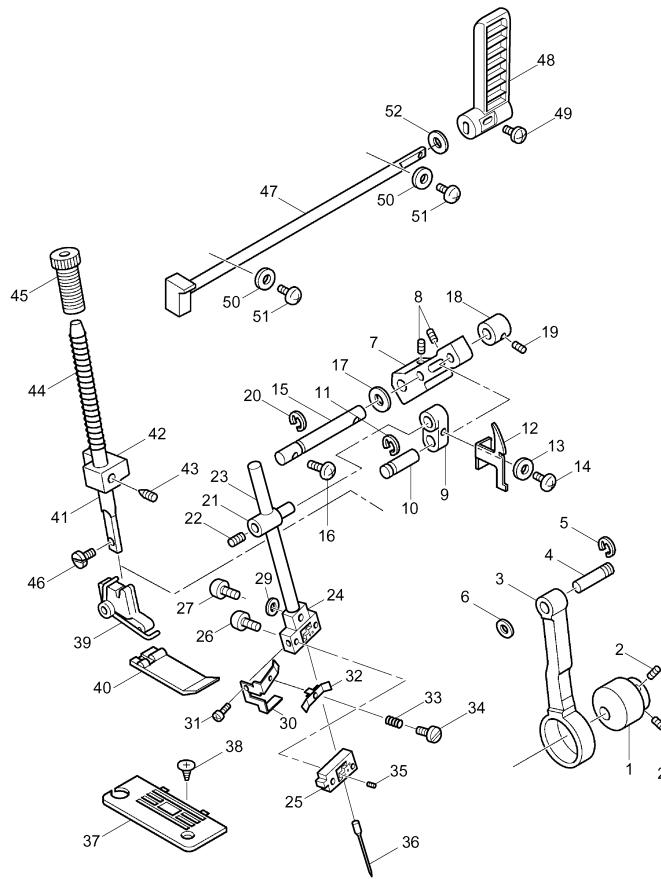
(1) PRINCIPAL PARTS / THREAD GUIDE MECHANISM

No.	CODE	NAME	REMARKS	No.	CODE	NAME	REMARKS
PRINCIPAL PARTS				41	048030342	RETAINING RING, E3	
1	XB1127002	FRONT COVER (U.S.A., CANADA, CHILE)		42	XB1255001	THREAD TENSION RELEASE BASS	
	XB1127001	FRONT COVER		43	062300406	SCREW, PAN M3 × 4	
2	X77014001	CAUTION (U.S.A., CANADA, CHILE)		44	047251042	PIN, SPRING ROLL AW2.5	
3	125875001	FACE PLATE STICKER		45	025040232	WASHER, PLAIN M 4	
4	X75632001	FRONT COVER HOOK		46	X76879000	WAVE WASHER	
5	037300815	TAPPING SCREW, PAN V M3 × 8		47	XB0898002	THREAD TENSION DIAL	
6	XB1128001	FRONT COVER HINGE PLATE		48	XB0898003	THREAD TENSION DIAL	
7	X77704001	FRONT COVER GUIDE SHAFT		49	XB0898001	THREAD TENSION DIAL	CHG
8	127174001	FRONT COVER SPRING		50	XB0900002	THREAD TAKE-UP COVER	
9	048030342	RETAINING RING, E3		51	XB0673001	SET SCREW	
10	060401206	SCREW, BIND M4 × 12		52	XB1211001	REAR COVER C ASSY	
11	XB1254001	OIL PAN C		53	X77757001	THREAD RECTIFIER A	
12	XB0589000	CUSHION A		54	127392001	THREAD RECTIFIER	
13	XB0590000	CUSHION B		55	XB0134000	THREAD RECTIFITER (USHION)	
14	X75720001	SET SCREW		56	X77731002	SPOOL STAND BASE	
15	XB1129001	CLOTH PLATE COVER C ASSY		57	X77733001	SPOOL STAND SHAFT	
16	XB0865002	LAMP COVER (U.S.A., CANADA, CHILE)		58	X77734001	SPOOL STAND SHAFT BASE	
	XB0865001	LAMP COVER		59	037200615	TAPPING SCREW, PAN V M2 × 6	
17	060400606	SCREW, BIND M4 × 6		60	X77735003	THREAD GUIDE 4	
18	XB1132001	BELT COVER C		61	037200616	TAPPING SCREW, PAN V M2 × 6	
19	060400416	SCREW, BIND M4 × 4		62	037301055	TAPPING SCREW, PAN V M3 × 10	
20	XB1275000	SPACER		63	126863003	SPOOL CUSHION	
21	XB1277000	HINGE PLATE		64	060400606	SCREW, BIND M4 × 6	
THREAD GUIDE MECHANISM				65	XB1214001	THREAD RECTIFIER R	
22	XB1195001	PANEL S ASSEMBLY		66	XB1215001	THREAD RECTIFIER L	
23	XB1204001	LOOPER THREAD SPRING		67	026030236	WASHER, PLAIN M 3	CHG
24	XB1227001	LOOPER THREAD GUIDE BASE			XE3597001	LABEL. INJURY 26X39	1000006238
25	037401216	TAPPING SCREW, PAN V M4 × 12					
26	X77155001	NEEDLE THREAD GUIDE A					
27	XB1197001	NEEDLE THREAD GUIDE C					
28	037300815	TAPPING SCREW, PAN V M3 × 8					
29	X77157001	NEEDLE THREAD TAKE-UP GUIDE					
30	XB1198000	NEEDLE THREAD SEPARATOR					
31	XB1201000	DL COVER TUBE					
32	XB1256001	THREAD GUIDE STICKER					
33	XB1238001	C THREAD TENSION BASE ASSY					
34	X77235000	TENTION DISC					
35	X77236000	TENTION DISC A					
36	XB0934001	THREAD TENSION RELEASER					
37	XB1209001	SPRING 0.8					
38	X75992001	WASHER					
39	X76878000	THREAD TENSION NUT					
40	XB0898001	THREAD TENSION DIAL					



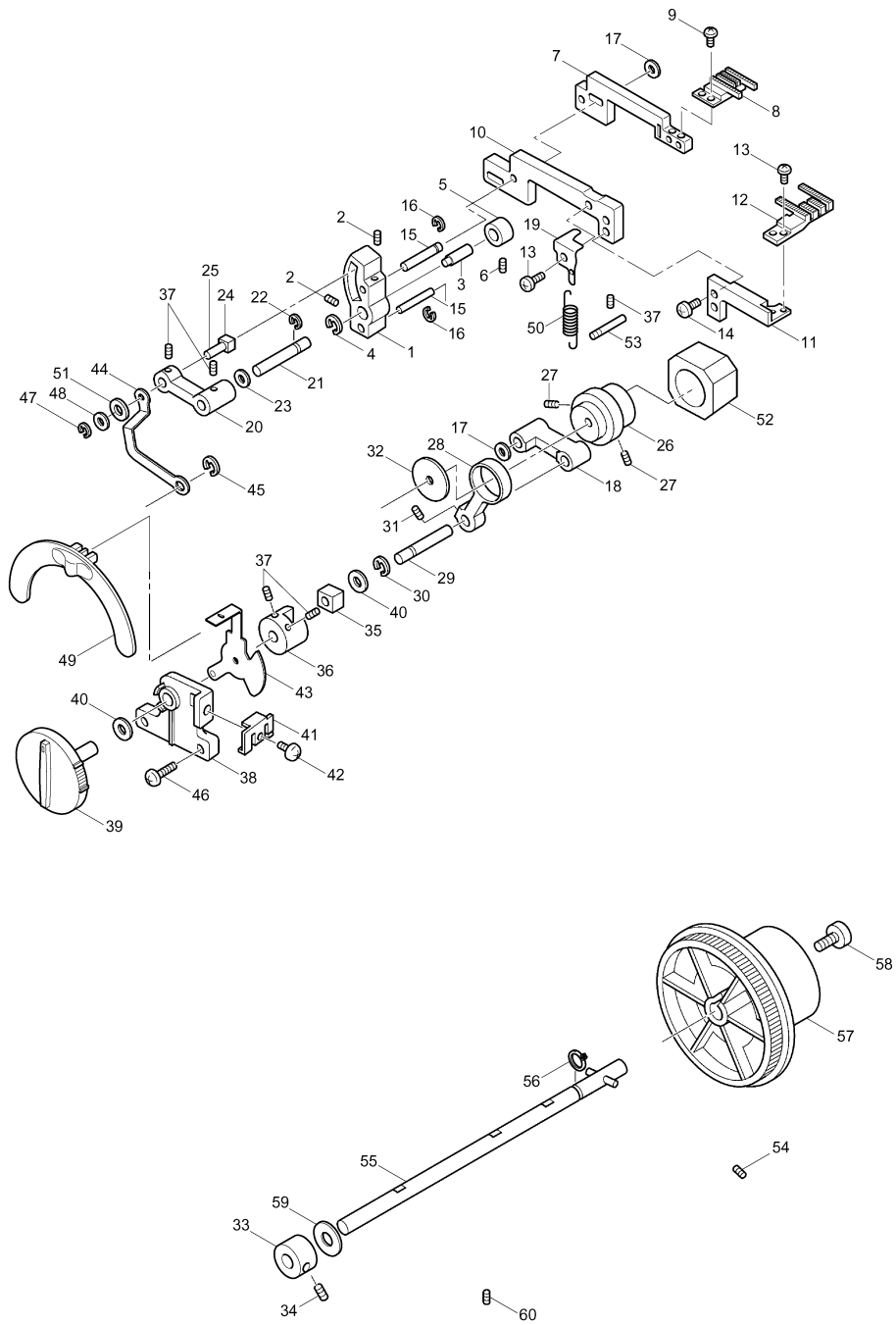
(2) NEEDLE BAR / PRESSER MECHANISM

No.	CODE	NAME	REMARKS	No.	CODE	NAME	REMARKS
NEEDLE BAR MECHANISM				43	100058003	SET SCREW 5.95	
1	XB1138000	NEEDLE BAR ECCENTRIC WHEEL		44	X77621001	PRESSER BAR SPRING	
2	012500632	SET SCREW, SOCKET (FT) M5 × 6		45	142860001	PRESSER FOOT ADJUSTING SCREW	
3	138839000	NEEDLE BAR ROD		46	126851001	SET SCREW	
4	XB1140001	ROD SHAFT C		47	XB0876001	PRESSER LIFTER SHAFT ASSY	
5	048060342	RETAINING RING, E6		48	XB0878001	PRESSER FOOT LEVER	
6	XB1141000	NEEDLE BAR ROD SPACER		49	060300606	SCREW, BIND M3 × 6	
7	X77611000	NEEDLE BAR DRIVING LEVER		50	025040332	WASHER, PLAIN L 4	
8	014400422	SET SCREW, SOCKET (CP) M4 × 4		51	060400606	SCREW, BIND M4 × 6	
9	XB1276000	NEEDLE BAR CONNECTING LINK	CHG	52	X76687000	WAVE WASHER	
10	XB0806001	NEEDLE BAR ROD SHAFT ASSY					
11	048050346	RETAINING RING, E5					
12	XB1143001	THREAD TAKE-UP C					
13	028040242	WASHER, SPRING 2-4					
14	060400606	SCREW, BIND M4 × 6					
15	XB0560000	NEEDLE BAR SHAFT					
16	060401606	SCREW, BIND M4 × 16					
17	100197004	WASHER					
18	X05286001	DRIVING ARM BUSHING					
19	014400422	SET SCREW, SOCKET (CP) M4 × 4					
20	048050346	RETAINING RING, E5					
21	126656001	NEEDLE BAR CONNECTING STUD					
22	014060632	SET SCREW, SOCKET (CP) M6 × 6					
23	XB1278001	NEEDLE BAR C					
24	XB1113001	NEEDLE CLAMP BASE					
25	XB1114001	NEEDLE POSITION GUIDE					
26	002021016	SCREW, PAN M2 × 10					
27	002301005	SCREW, PAN M3 × 10					
28	028030246	WASHER, SPRING 2-3	1000007760				
29	026030132	WASHER, PLAIN S 3					
30	XB1145001	NEEDLE BAR THREAD GUIDE					
31	062300506	SCREW, PAN M3 × 5					
32	XB1146000	PRE-TENSION PLATE					
33	XB1147001	PRE-TENSION SPRING					
34	X77993001	SCREW					
35	XB0038001	SCREW					
36	X75577014	NEEDLE					
37	XB1112001	NEEDLE PLATE					
38	060400606	SCREW, BIND M4 × 6					
PRESSER MECHANISM							
39	XB1152001	PRESSER HOLDER ASSEMBLY					
40	XB1154001	PRESSER FOOT ASSY					
41	126660001	PRESSER BAR					
42	127198000	PRESSER BAR BRACKET					



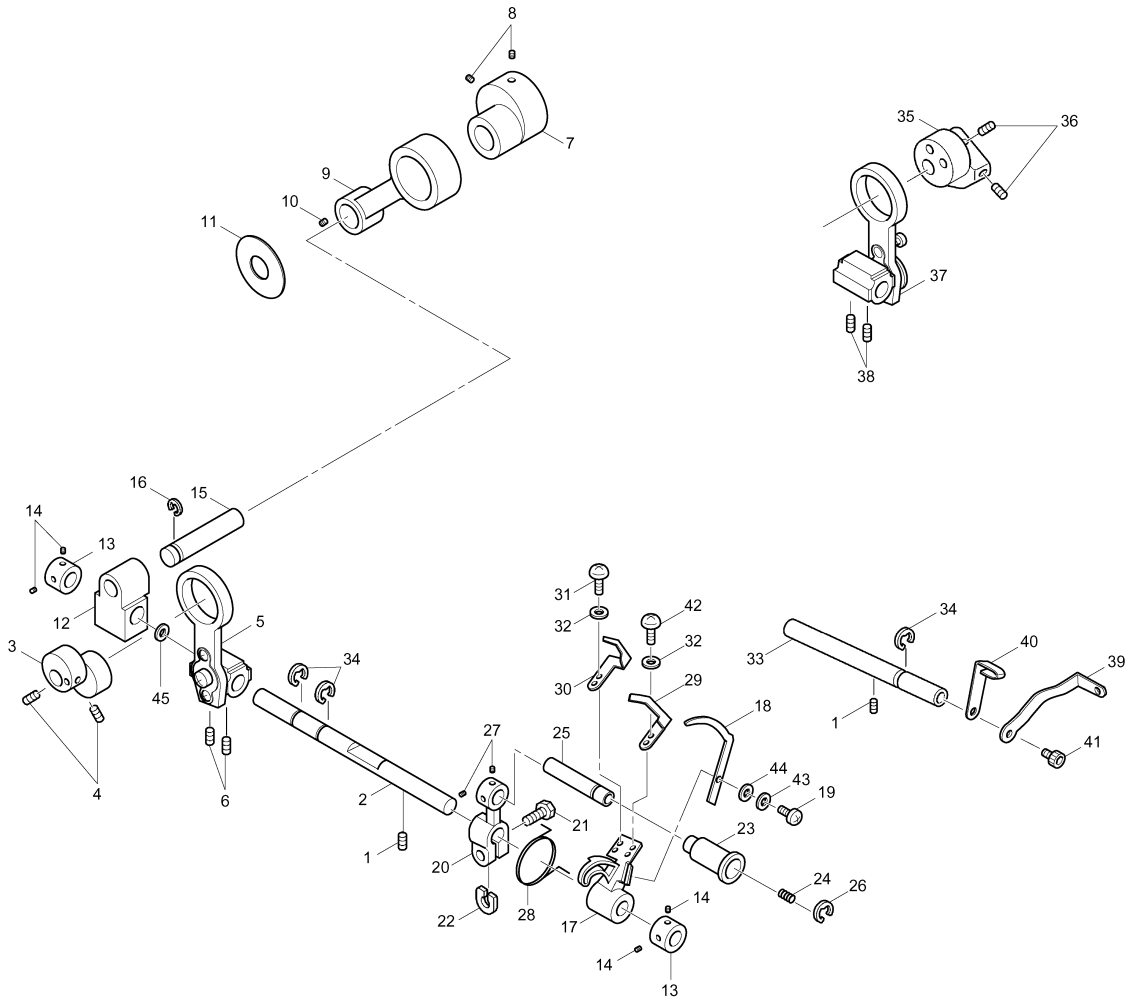
(3) FEED / DRIVING SHAFT MECHANISM

No.	CODE	NAME	REMARKS	No.	CODE	NAME	REMARKS
FEED MECHANISM							
1	X77628000	FEED BAR LEVER		44	X77657000	DIFERENTIAL ADJUSTING LINK	
2	014400422	SET SCREW, SOCKET (CP) M4 × 4		45	048050346	RETAINING RING, E5	
3	X77630000	FEED BAR LEVER SHAFT		46	060401206	SCREW, BIND M4 × 12	
4	048050346	RETAINING RING, E5		47	048030342	RETAINING RING, E3	
5	X75150001	COLLAR		48	025040232	WASHER, PLAIN M 4	
6	014400422	SET SCREW, SOCKET (CP) M4 × 4		49	X77658002	DIFERENTIAL ADJUSTING KNOB	
7	X77631000	MAIN FEED BAR		50	X77749001	FEED BAR SPRING	
8	XB1157001	MAIN FEED DOG		51	X76879000	WAVE WASHER	
9	062300806	SCREW, PAN M3 × 8	1000006241	52	X77736000	VERTICAL FEED BLOCK	
10	X77647000	DIFERENTIAL FEED BAR		53	X77663000	UPPER BRADE LINK SHAFT	
11	XB1159001	DIIFERENTIAL FEED BASE		DRIVING SHAFT MECHANISM			
12	XB1160001	DIFFERENCIAL FEED DOG		54	012500632	SET SCREW, SOCKET (FT) M5 × 6	
13	062300606	SCREW, PAN M3 × 6		55	XB1135001	DRIVING SHAFT ASSY	
14	060300806	SCREW, BIND M3 × 8		56	048080142	RETAINING RING, EXTERNAL C8	
15	127784001	GUIDE SHAFT		57	X77603002	TIMING PULLEY	
16	048040342	RETAINING RING, E4		58	X77750001	SET SCREW	
17	025050132	WASHER, PLAIN S 5		59	X77604000	WASHER	
18	X77638000	FEED BAR LINK		60	014400422	SET SCREW, SOCKET (CP) M4 × 4	
19	X77649001	FEED BAR GUIDE					
20	X77650000	ADJUSTING LINK					
21	X77637000	FEED BAR LINK SHAFT					
22	048050346	RETAINING RING, E5					
23	026060132	WASHER, PLAIN S 6					
24	X77653000	DIFERENTAL FEED ADJUSTING					
25	X77652000	ADJUSTING LINK SHAFT					
26	X77634000	FEED ECCENTRIC WHEEL					
27	012500632	SET SCREW, SOCKET (FT) M5 × 6					
28	X77635000	FEED LINK					
29	X77637000	FEED BAR LINK SHAFT					
30	048050346	RETAINING RING, E5					
31	014400422	SET SCREW, SOCKET (CP) M4 × 4					
32	XB0595001	FEED LINK GUIDE					
33	X75150001	COLLAR					
34	014400422	SET SCREW, SOCKET (CP) M4 × 4					
35	X77639000	FEED ADJUSTING BLOCK					
36	XB0559000	FEED ADJUSTING LEVER					
37	014400422	SET SCREW, SOCKET (CP) M4 × 4					
38	X77642000	FEED BASE					
39	X77643002	FEED DIAL					
40	X76687000	WAVE WASHER					
41	X77646001	SPRING					
42	060400606	SCREW, BIND M4 × 6					
43	X77654001	DIFERENTIAL ADJUSTING LEVER AS					



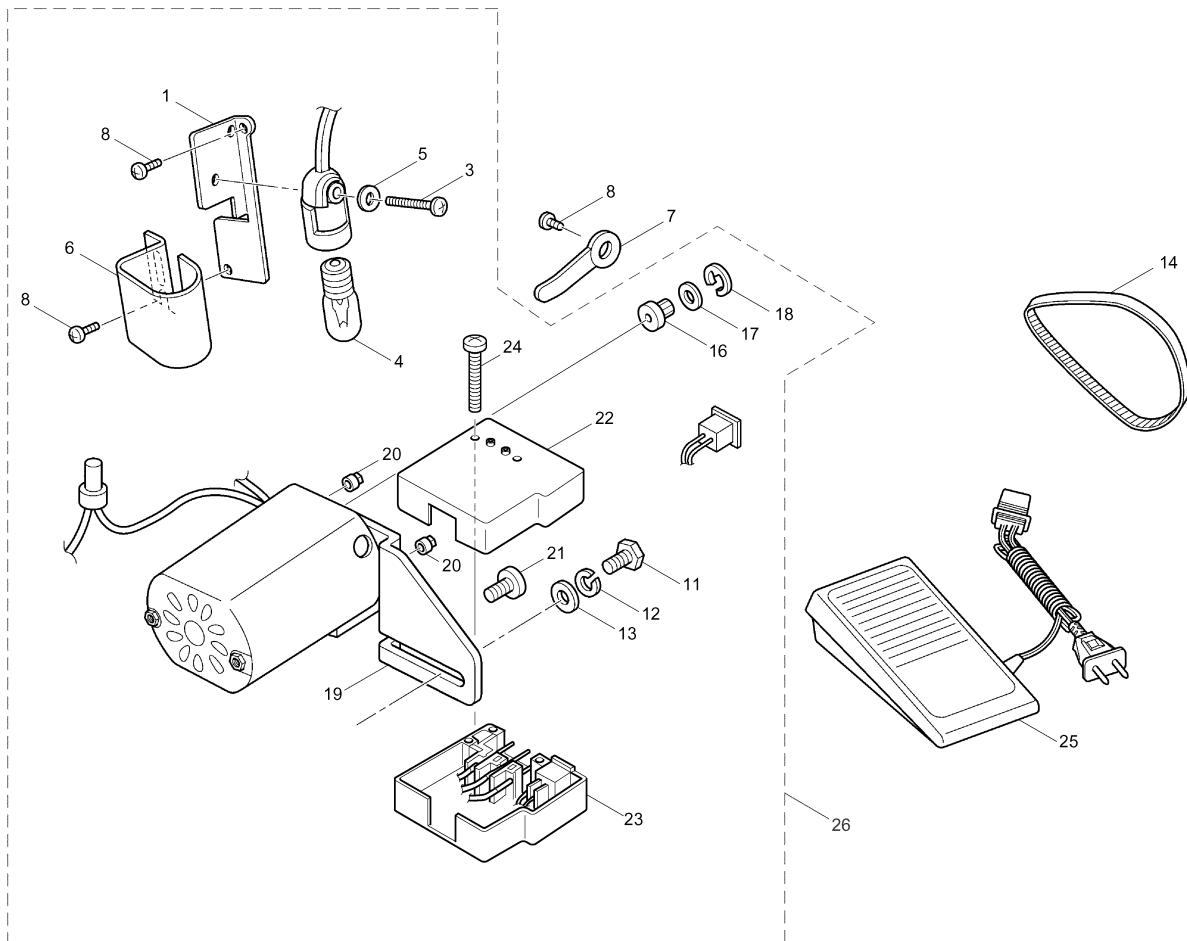
(4) DOUBLE CHAIN MECHANISM

No.	CODE	NAME	REMARKS	No.	CODE	NAME	REMARKS
1	014400422	SET SCREW, SOCKET (CP) M4 × 4		45	X77604000	WASHER	ADD
2	XB1168000	DOUBLE CHAIN LOOPER SHAFT					
3	X77698001	UL ROD ECCENTRIC WHEEL					
4	012500632	SET SCREW, SOCKET (FT) M5 × 6					
5	XB1290001	ROD SHAFT CLAMP ASSY A					
6	012500632	SET SCREW, SOCKET (FT) M5 × 6					
7	XB1173000	DOUBLE CHAIN ECCENTRIC WHEEL					
8	012500632	SET SCREW, SOCKET (FT) M5 × 6					
9	X76787000	DOUBLE CHAIN ROD					
10	014400422	SET SCREW, SOCKET (CP) M4 × 4					
11	XB1176000	WASHER D28					
12	XB1228001	HORIZONTAL LEVER					
13	X76800001	HORIZONTAL LEVER COLLAR					
14	014400422	SET SCREW, SOCKET (CP) M4 × 4					
15	X76792001	HORIZONTAL LEVER SHAFT					
16	048040342	RETAINING RING, E4					
17	XB1180000	DL LEVER					
18	XB1115001	DOUBLE CHAIN LOOPER					
19	018300836	BOLT, SOCKET M3 × 8					
20	XB1182001	DL DIVERSION LEVER					
21	017501615	BOLT, M5 × 16					
22	X05281001	WASHER					
23	XB1183001	DL LEVER KNOB					
24	XB1184001	DL LEVER KNOB SPRING					
25	XB1186001	DL LEVER KNOB SHAFT					
26	048030342	RETAINING RING, E3					
27	014400422	SET SCREW, SOCKET (CP) M4 × 4					
28	XB1187001	DL LEVER RELEASE SPRING					
29	XB1188001	DL NEEDLE GUARD FRONT					
30	XB1189001	DL NEEDLE GUARD REAR					
31	062300606	SCREW, PAN M3 × 6					
32	026030132	WASHER, PLAIN S 3					
33	XB1161000	L LEVER SHAFT C					
34	048060342	RETAINING RING, E6					
35	X77693000	OL ROD ECCENTRIC WHEEL					
36	012500632	SET SCREW, SOCKET (FT) M5 × 6					
37	XB1291001	ROD SHAFT CLAMP ASSY B					
38	012500632	SET SCREW, SOCKET (FT) M5 × 6					
39	XB1166001	DL THREAD TAKE-UP LEVER A					
40	XB1167001	DL THREAD TAKE-UP LEVER B					
41	XB0148001	SET SCREW					
42	062300506	SCREW, PAN M3 × 5					
43	028030246	WASHER, SPRING 2-3					
44	026030236	WASHER, PLAIN M 3	CHG				



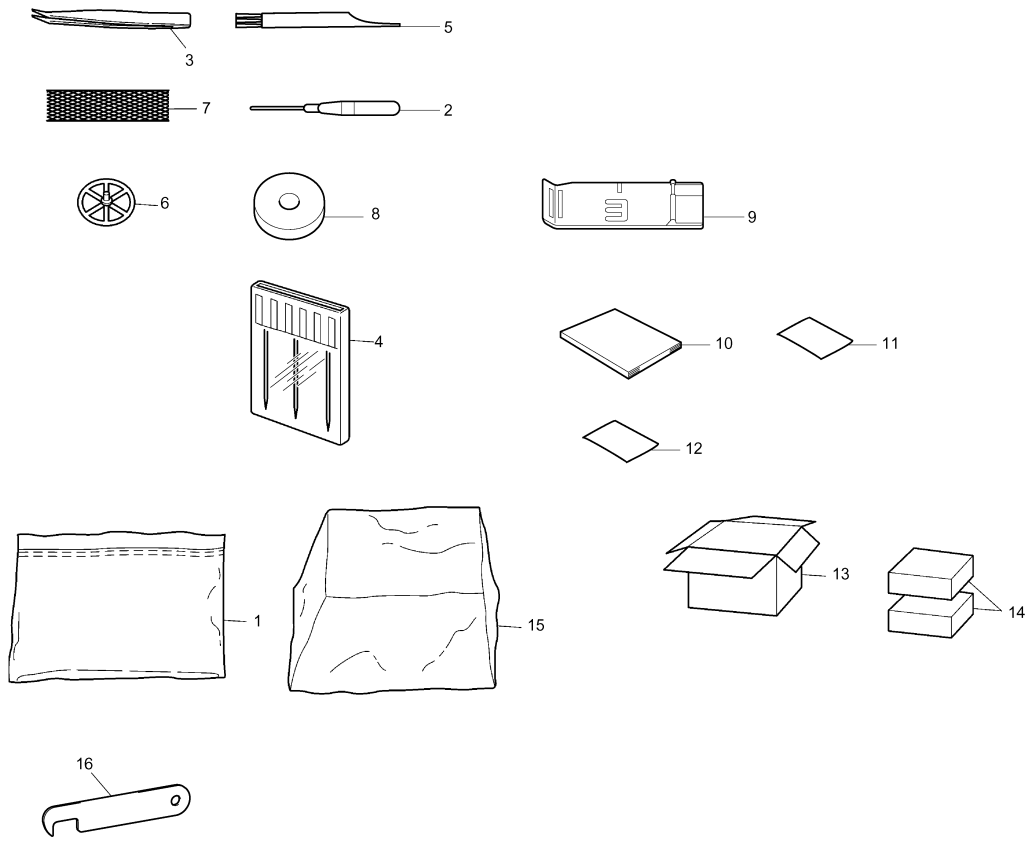
(5) LAMP / ELECTRONIC PARTS / MOTOR UNIT

No.	CODE	NAME	REMARKS	No.	CODE	NAME	REMARKS			
LAMP MECHANISM										
1	X77710000	LAMP PLATE (U.S.A., CANADA)			XD0105021	FOOT CONTROLLER:KD-2902 CHN (CHN)	ADD			
2	XB0737001	LAMP (U.S.A., CANADA)	1000010984		XE3414001	FOOT CONTROLLER:KD-1902 BRZ (BRA)	1000005918			
	XB0998001	LAMP EC ASSEMBLY	1000010984							
	XB0741001	LAMP (AUSTRALIA)	1000010984							
3	062302006	SCREW, PAN M3 × 20 (U.S.A.,		26	XB1831001	MOTOR L ASSY (120V)	1000010944			
	062300406	SCREW, PAN M3 × 4								
4	X53061050	SEW-LIGHT BULB (U.S.A., CANADA)						XB1832001	MOTOR L ASSY (220V)	1000010944
	205336050	SEW-LIGHT BULB L-4								
5	025350332	WASHER, PLAIN L 3.5 (U.S.A., CANADA)		XB1833001	MOTOR L ASSY (230V)	1000010944				
6	X77423000	LAMP COVER PLATE								
7	XA0286051	WIRE CLIP		XB1834001	MOTOR L ASSY (240V)	1000010944				
8	060400606	SCREW, BIND M4 × 6								
ELECTRONIC PARTS										
9	XB0901001	SWITCH ASSEMBLY (U.S.A., CANADA)	1000010984							
	XB0905001	SWITCH ASSEMBLY	1000010984							
10	X77076001	CONNECTER	1000010984							
MOTOR UNIT										
11	103741001	BOLT								
12	203735001	WASHER								
13	100197004	WASHER								
14	X77826001	TIMING BELT								
15	XB1174101	MOTOR YM43-8C	1000010984							
	XB1289001	MOTOR 220V ASSY	1000010984							
	XB1280001	MOTOR 230V ASSY	1000010984							
	XB1279001	MOTOR 240V ASSY	1000010984							
16	X77334000	MOTOR PULLEY								
17	220036000	WASHER								
18	048050346	RETAINING RING, E5								
19	XB0909101	MOTOR PLATE	1000002717							
20	XB0383001	NUT								
21	X77226001	SCREW								
22	XB0910001	3P SOCKET BODY								
23	XB0911001	3P SOCKET COVER								
24	037401815	TAPPING SCREW, PAN V M4 × 18								
25	XC7359021	FOOT CONTROLLER:KD-1902 (USA)	1000015436							
	XC7438321	FOOT CONTROLLER:KD-2902 (DEU, AUT, CHL, PRY)	1000015436							
	XC7456321	FOOT CONTROLLER:KD-2902UK (UK)	1000015436							
	XE0629001	FOOT CONTROLLER:KD-2902AUS (AUS, NZL)	1000015436							
	XD0112121	FOOT CONTROLLER:KD-2902IRAM (ARG)	1000015436							



(6) ATTACHMENTS / PRINTED MATTER / PACKING MATERIALS

No.	CODE	NAME	REMARKS
ATTACHMENTS			
1	122991052	ACCESSORY BAG	050327
2	XB0393001	SCREW DRIVER S	
3	X75902001	PINCETTE	
4	XB1216001	NEEDLE SET ASSEMBLY	
5	X75906001	BRUSH	
6	X77260000	CAP	
7	X75904000	NET	
8	XB1218000	SPOOL MAT	
9	XB1265001	HEM SEWING PRESSER N	
PRINTED MATTER			
10	XB1148101	INSTRUCTION BOOK (ENG, SPA)	1000015437
	XB1163101	INSTRUCTION BOOK (FRA, NLD)	1000015437
	XB1150101	INSTRUCTION BOOK (DEU, ITA)	1000015437
	XB1268101	INSTRUCTION BOOK (DAN, RUS)	1000015437
	XB1360101	INSTRUCTION BOOK (AUT, HUN, CES, SRP, HRV, ENG)	1000015437
	XB1354101	INSTRUCTION BOOK (NOR, SWE)	1000015437
11	XC0381051	WARRANTY CARD (U.S.A.)	
	UH3851001	WARRANTY CARD EUR	1000016851
	XC6402051	WARRANTY CARD (U.K.)	
	XE5609101	WARRANTY CARD 5YEARS ITA (ITA)	1000013378
	XE5572001	WARRANTY CARD BROTHER RUS (RUS)	1000010023
	XE5652001	WARRANTY CARD BROTHER ARG (ARG)	1000011223
	LW3135004	CEE WARRANTY CARD	1000016851
12	181401174	INSERTION WARRANTY COUPON (CANADA)	
	XE5611001	REGISTRATION CARD ITA (ITA)	1000010089
PACKING MATERIALS			
13	XB1259001	CARTON (U.S.A., CAN, CHI, ARG, BRA)	1000005918
	XB1223001	CARTON (OTHER)	1000011781
	XB1683001	CARTON (RUS)	060137
14	XB1845001	POLYSTYRENE FOAM PAD ASSY	1000015438
	XB1749004	POLYSTYRENE FOAM PAD ASSY (CHN, BRA)	1000015438
15	X77871000	SOFT COVER	
16	XB1037001	THREAD TENSION ADJUSTING TOOL	060245
	XB1366101	INSERTION SHEET EEE	1000004120



brother®

2340CV
38J03HF884500

09. 2003.
12. 2009.