

Safety Instruction For Using AH-2200 Non Steam Electric Iron

The following is the safety guideline that you must read through and understand for the use of AH-2200 non steam electric iron so that you can prevent from being injured or the danger of the fire.

Safety Warning

1. Check the electrical specification of this iron before use. If it's not the same voltage, it may cause to an unexpected accident or the damage to the product. In such case, the product cannot be warranted.
2. In connecting the line cord of AH-2200 with an electrical device, make sure that it is the same electrical voltage. It is recommended to connect directly with the outlet grounded.
3. Do not tie, pull or bend the line cord unreasonably excessively, and never use the damaged line cord or plug.
4. When the iron is dropped, and some parts are broken or crashed, and if it does not work normally, do not try to fix it for yourself. Just send it to our service center or to the distributor who you purchased from.
5. Keep this item from the water and wet hands when you plug it in or off, and make sure to grab the plug. Never pull the line cord to unplug it.
6. **PAY SPECIAL ATTENTION TO THE IRON WHILE IT'S HOT.**
 - A. Do not leave the iron unattended.
 - B. Even after the use and the plug is off, take good care of this iron until it gets cool enough to be safe.
 - C. When in use or not, Place the iron always on the silicone iron rest rightly.

Direction for Ironing

Refer to the below chart for the proper temperature settings of the iron;

<i>Fabric Type</i>	<i>Temperature Settings</i>
Nylon, Silk	Setting 1 ~ 2, 100—140°C
Wool	Setting 3, 140—160°C
Cotton	Setting 4, 160—180°C
Linen	Setting 5, 180—210°C (^{+/-})

How to Use

Connect the line cord, Turn On the Switch.

The indicating light is turned on and stays on until it reaches to the set temperature. When the set temperature is reached, the light goes off and it means it's ready to use.

If the clothes is made of mixed fabric, choose the lower temperature setting.

For the delicate fabric, try it out on the inside of the clothes to see if it's okay. Improper selection of the temperature may bring the result of being burnt or shining on the fabric. We recommend, for this case, to use the Teflon shoe.

While the iron is in use, the indicating light may go on and off according to the inside temperature of the iron. This is the normal phenomenon to show that the iron is working properly.

Maintaining After Use

Turn Off the Switch and Plug It Off.

Wait Until the Iron Gets Cool Before You Leave.

Make Sure Once Again That the Iron Is Cool.

Do not Place the Iron on Vertical Stand.

Use Silicone Iron Rest When You Place the Iron.

Other Metallic Iron Rest May Cause to Scratches.

Cleaning the Bottom Base of the Iron

When the body is completely cooled off, clean the base using the soft and wet cloth.

Do not use coarse materials such as scrubber from a sponge gourd and the brushes.

Model: AH-2200

The Specification

Temp. Control Range	210°C +/- 10°C
Iron Body	Hard Anodized Aluminum
Base Size	209 * 115 (mm)
Weight	1.67 kg
Electrical Voltage	120V, 50/60 Hz
Electrical Consumption	1000 W

For the Repair Service / the Technical Questions, Contact Our Customer Service Below;

Tel: 845-267-5170

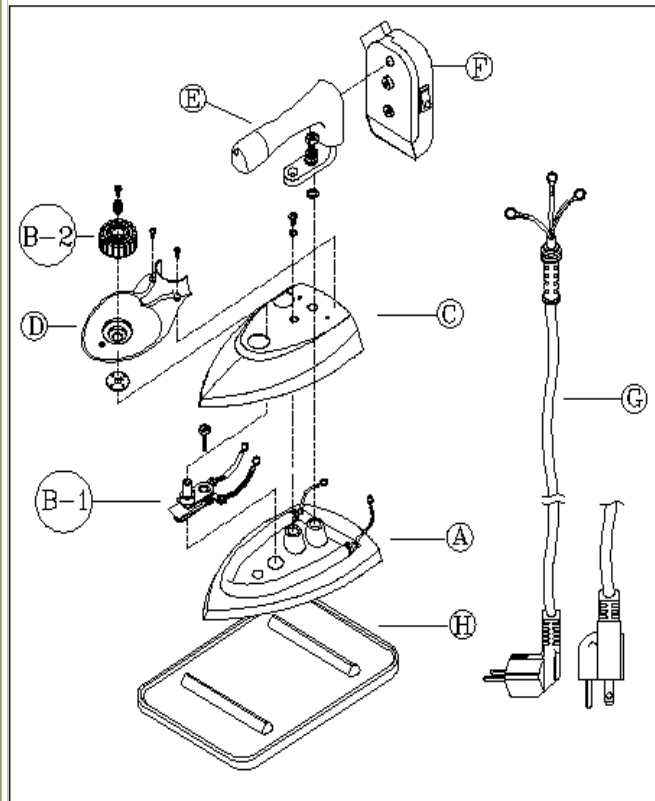
Fax: 845-267-5171

E-Mail: sales@acehico.com
newacehico@yahoo.com
info@silverstar.co.kr

Website: www.acehico.com
www.silverstar.co.kr

This product is for the industrial / professional use only. We're not responsible for the damages from the use at the improper locations where the safety is extremely concerned such as home.

Parts Diagram & Description



A	BASE ASS'Y (120V)
B	THERMOSTAT SET
B-1	THERMOSTAT
B-2	THERMOSTAT KNOB
C	COVER
D	THERMO SHIELD
E	HADLE ASS'Y
F	MAIN SWITCH SET
G	POWER CORD(120V)
H	SILICONE IRON REST

