

JUKI®

Dealer Training

MO-735 Overlock



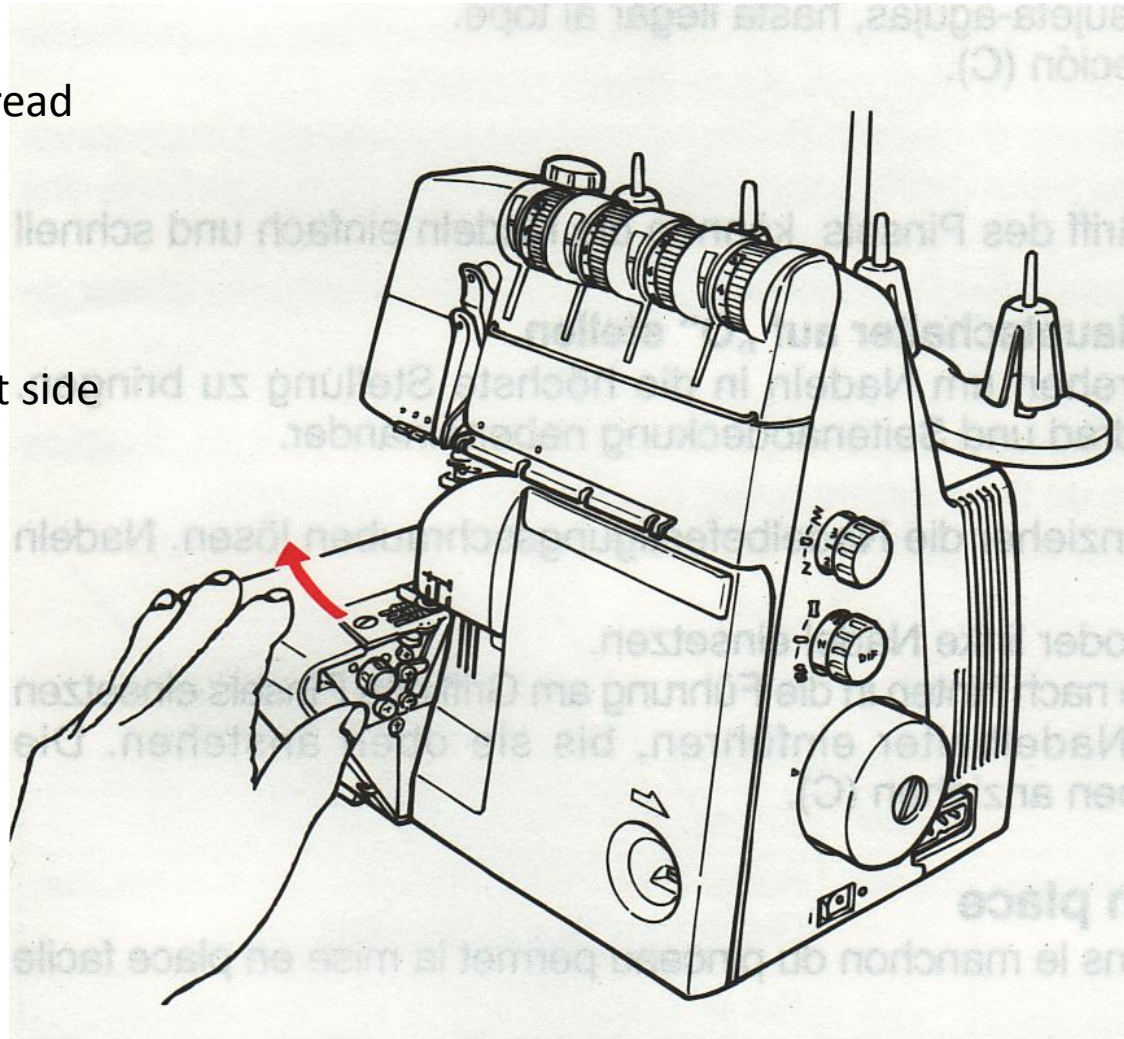
MO-735

2-Thread Chain Stitch

Lets thread the MO-735 for the 2-Thread Chain Stitch.

Open the Clothplate Cover on the left side of the machine.

The Chain Stitch Looper is located behind this door.



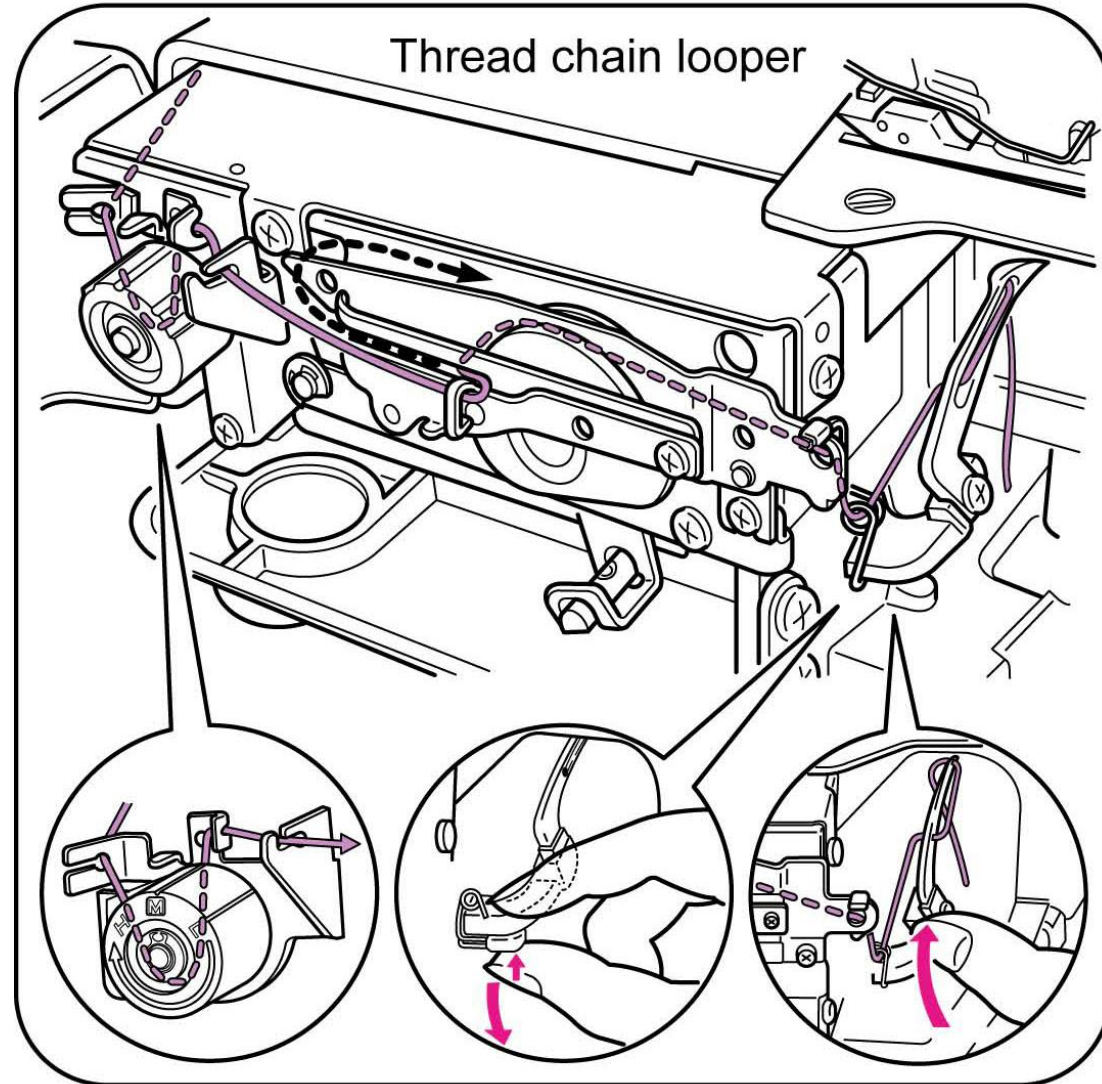
2-Thread Chain Stitch

While this looper appears to have a lot of little parts, I can assure you that it is very easy to thread.

The looper disengages for easy threading.

The illustration below shows the threading to be 1-2-3 and that is pretty accurate.

Let's close the Clothplate Cover for now and start setting up the machine to create a chain stitch.



2-Thread Chain Stitch

In the accessories for the MO-735 there are two items we will need to set the machine up for the chain stitch.

The Multipurpose Coverhem presser foot.



The Cover/Chain Stitch Extension Plate.



The spool holder for the chain stitch thread.



2-Thread Chain Stitch

Let's remove the original presser foot.

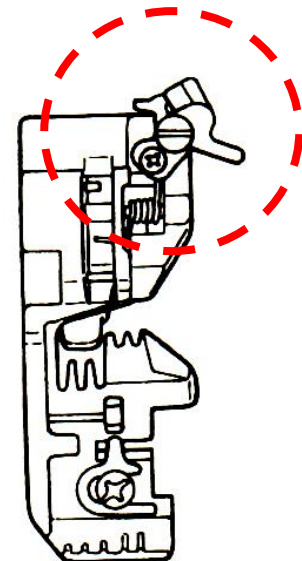
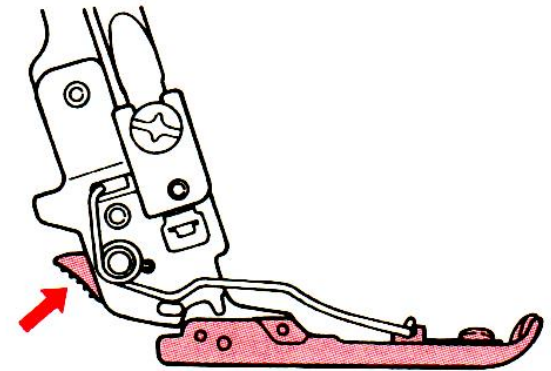
Turn handwheel towards you until needles are in the up position. Raise the presser foot.

Press the catch release lever to release the presser foot.

Remove the presser foot to the left.

Look at the standard foot.

There is a lever on the back of the foot that can be adjusted for specific materials. When working with swimwear or similar fabric, flip the lever to the back and change the presser foot presser to L.



2-Thread Chain Stitch

The standard presser foot is equipped with a built-in tape guide.

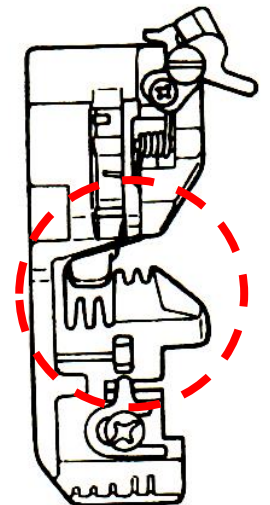
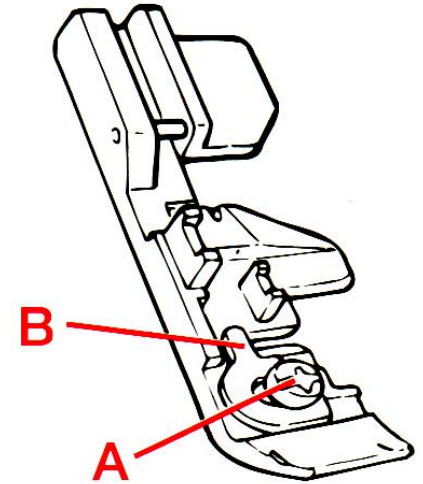
This is a great tool for sewing tape into the shoulder or side seams of garments created from knit fabrics. This is how the professionals keep those seams from stretching out of shape.

The Set Screw (A) can be loosened and adjusted to suit the width of the tape. The tape fits into the slot and flows along the guide on the foot (B).

Look at the needle openings on this foot.

There is space for the right 2 needles and the left 3 needles to move through the foot.

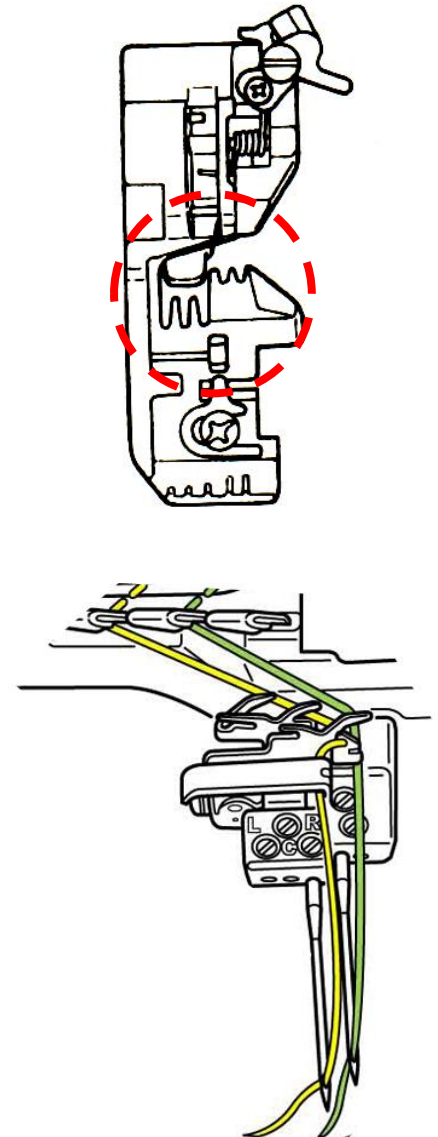
This foot is also used for applications such as the 5-thread safety stitch.



2-Thread Chain Stitch

There is space for the right 2 needles and the left 3 needles to move through the foot.

This foot is also used for applications such as the 5-thread safety stitch where needles are placed in both the left front and back right needle holders.



2-Thread Chain Stitch

Let's place the Cover Stitch Presser foot on the machine.

Place the foot under the shaft.

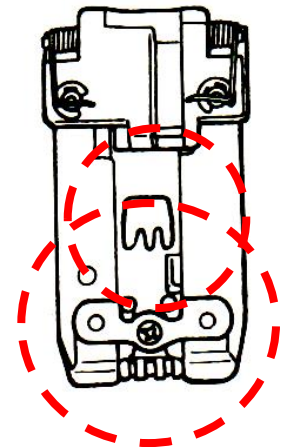
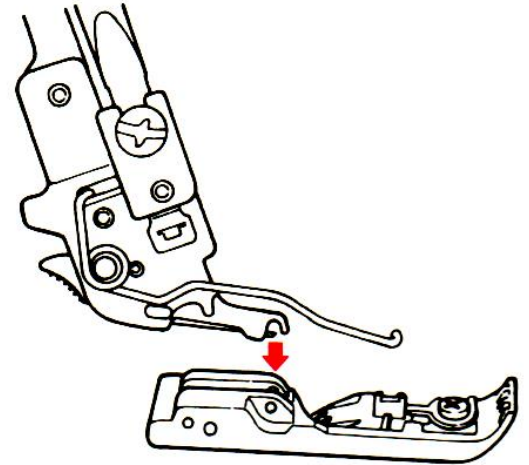
The groove in the shaft should line up exactly with the presser foot pin.

Lower the presser foot and the foot should engage automatically.

Look at the Cover Stitch Foot.

The left and right sides of the foot can adjust to the height of the fabric independently.

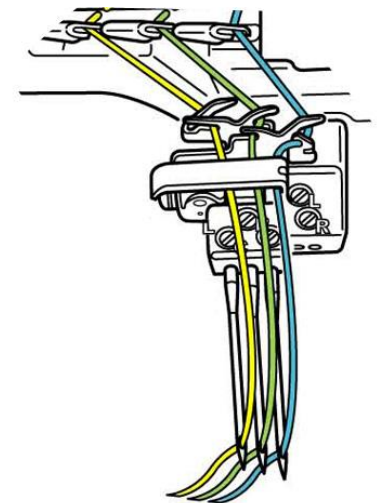
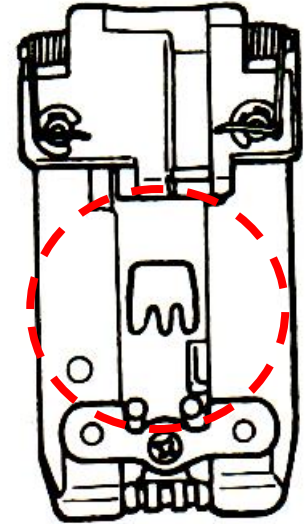
Look at the needle opening on the foot.



2-Thread Chain Stitch

There is only space for the three needles used in the Left needle holder.

This foot can only be used for the Chain Stitch and 2 or 3 thread Coverhem stitches.

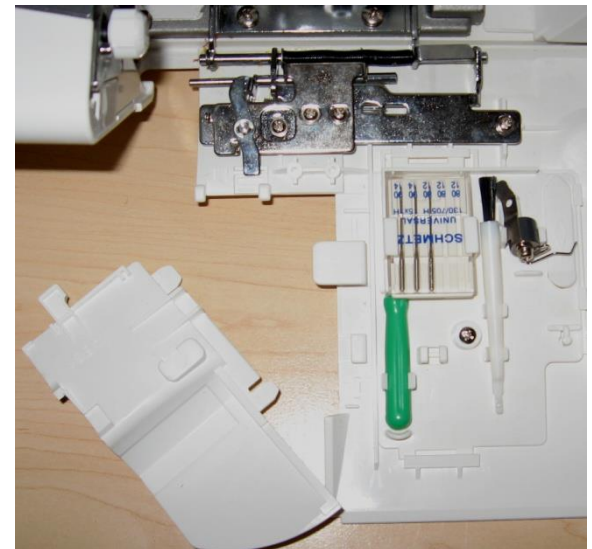
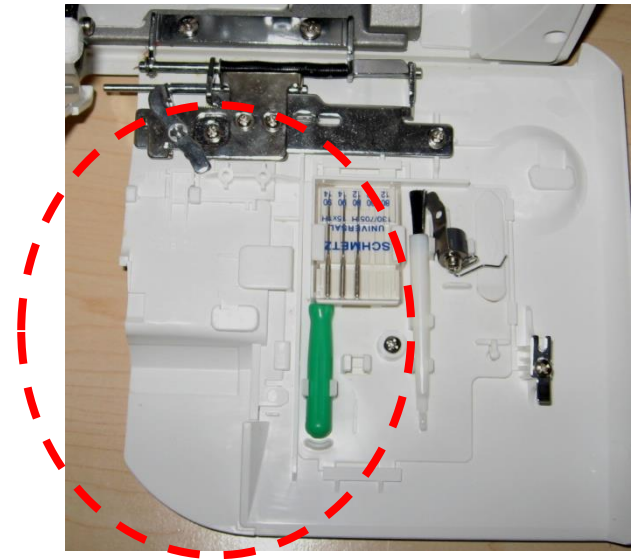


2-Thread Chain Stitch

For the Chain Stitch and Coverhem stitches, we need to remove the Knife Guard and place the Chain Stitch Extension Table on the looper cover.

Open the looper cover.

Remove the Knife Guard by pulling it gently to the left.

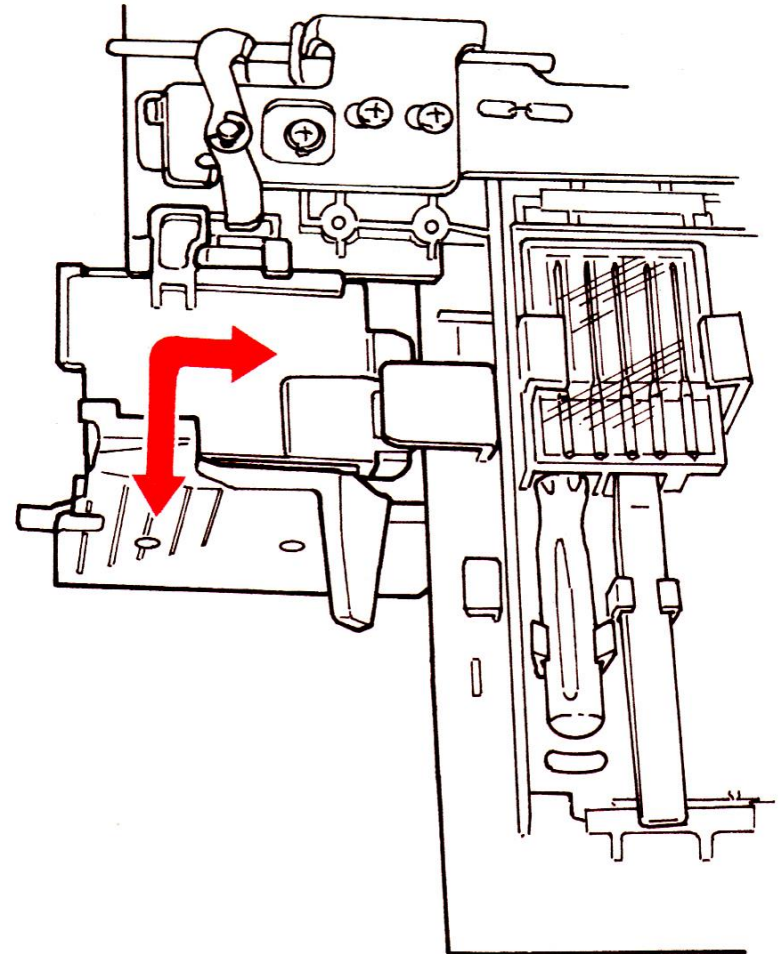


2-Thread Chain Stitch

Attach the Chain Stitch Extension table by holding it at a slight angle to the looper cover.

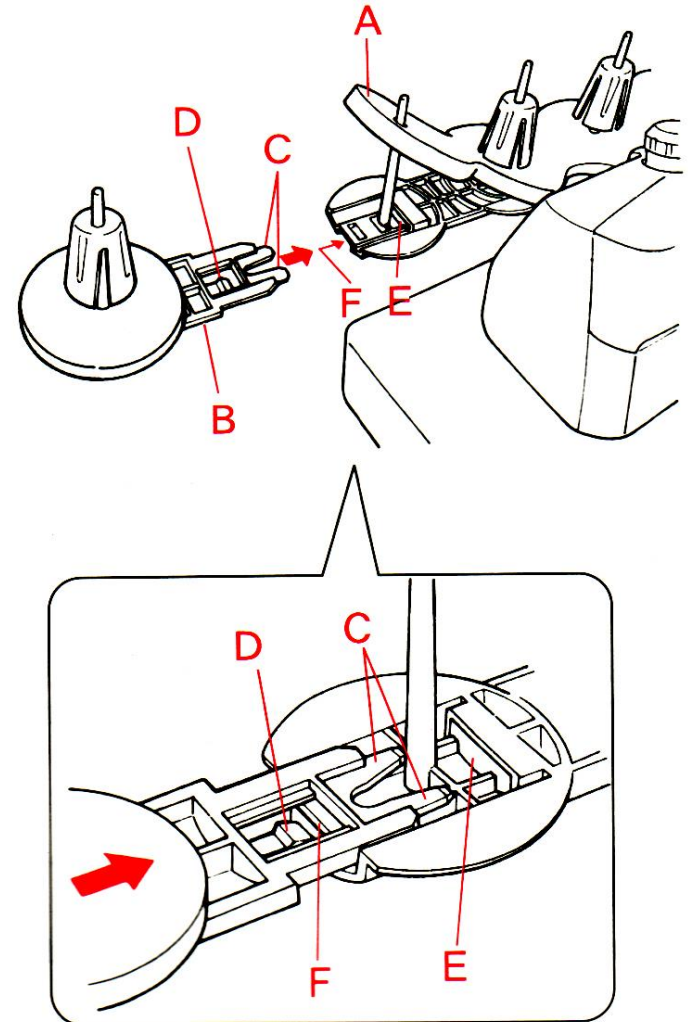
Position and hold both the cover and table parallel.

Push plate to the right until it clicks into place.



2-Thread Chain Stitch

To place the spool holder for the chain stitch lift the foam pad (A), slide the guide tabs (C) of the spool holder (B) into the guide of the Upper side of the spool holder from the left to right position (E) and press until tab (D) clicks into place (F).



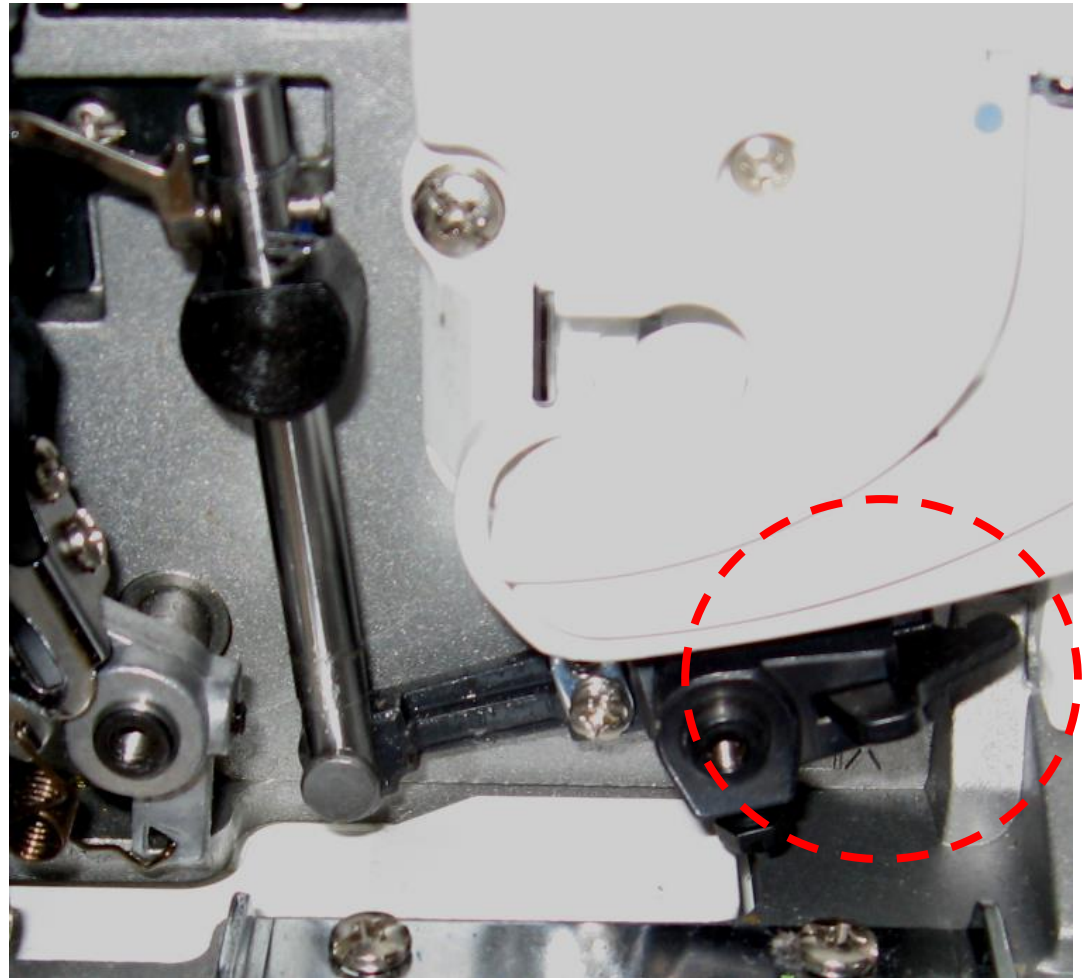
2-Thread Chain Stitch

To disengage the Upper Loper turn the handwheel to bring the Needles to the lowest position.

Open the Loper Cover.

Press the release lever back.

The Upper looper is in active.

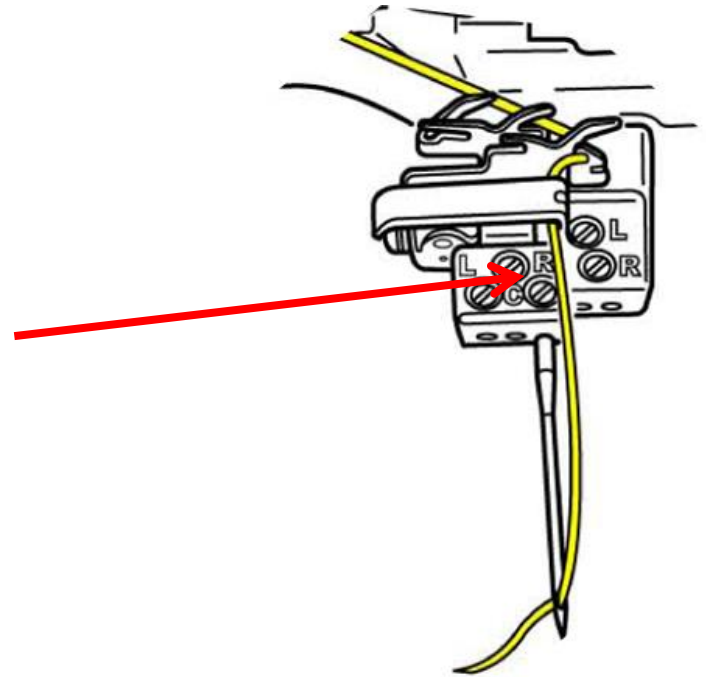


2-Thread Chain Stitch

Let's start setting up the machine for the Chain Stitch.

Upper knife should be in the up or disengaged position.

Place a needle in the front left holder in the position marked (R) for right.



2-Thread Chain Stitch

Open the Cloth Plate Cover.

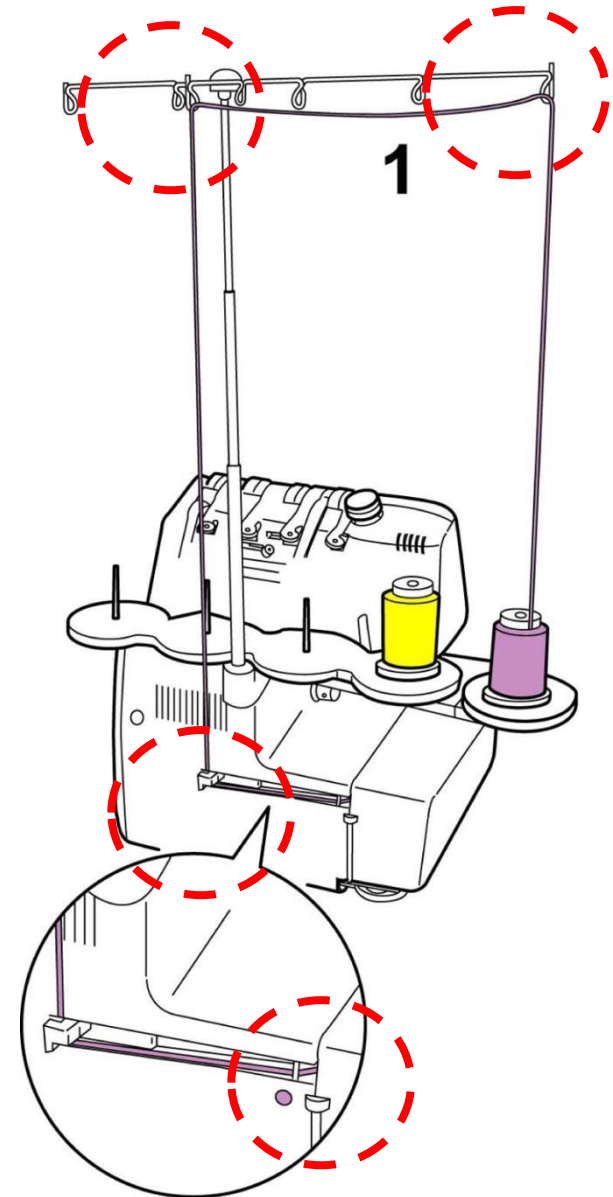
Place the Brown thread on the Chain Stitch spool.

Bring thread up and through antenna guide 1.

Pull thread behind antenna and place the thread in guide 2.

Pull thread towards base of machine and then place thread through guide 3.

Pull thread through the open hinge area of the Cloth Plate Cover.



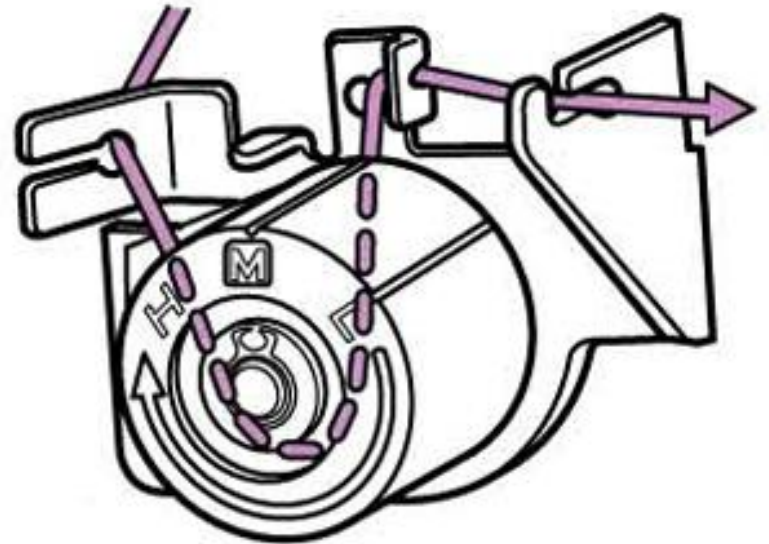
2-Thread Chain Stitch

Let's look at threading the Chain Stitch Looper in steps.

Step 1: Place the thread into the guide near the hinge of the Cloth Plate Cover.

Step 2: Place thread into Chain Stitch Tension.

Tension should be set on M.



2-Thread Chain Stitch

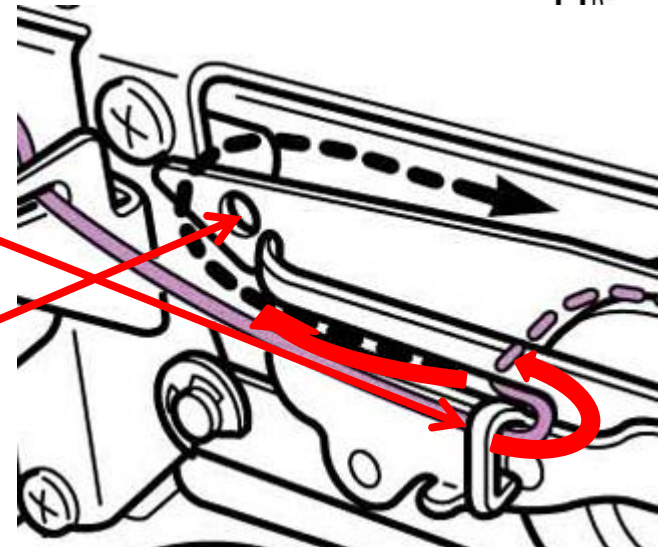
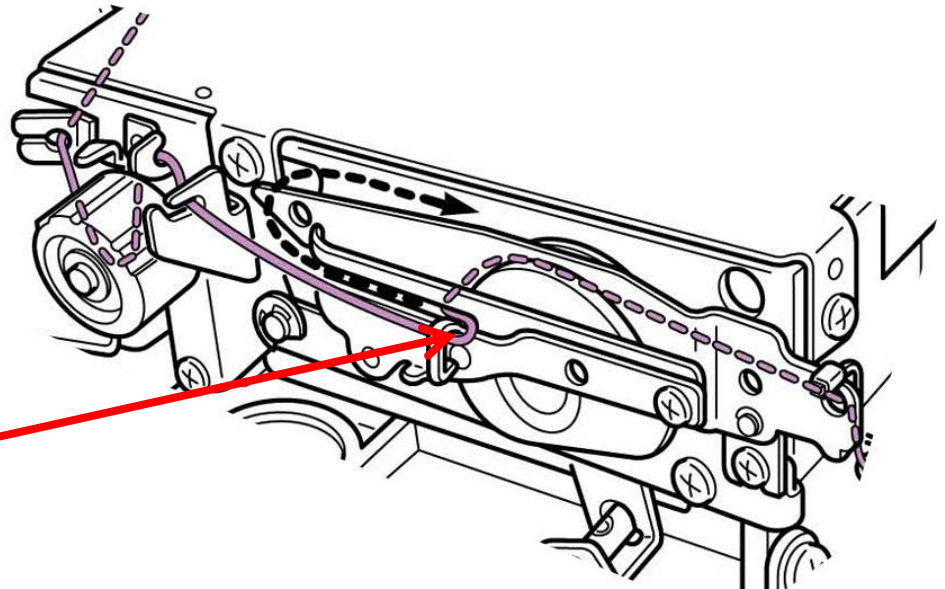
Follow the purple marked guides.

One area that tends to be misunderstood on the threading chart is the loop around the rotary take-up.

Place the thread in the guide.

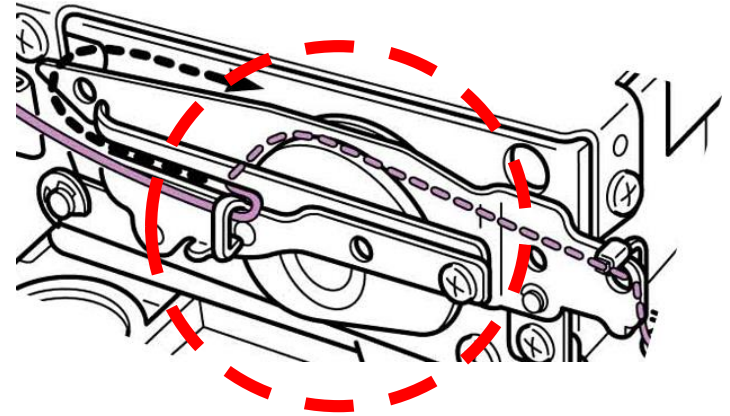
Loop back around and insert thread in the 1.4 inch opening on the metal guide.

Do not attempt to force thread under this metal piece.



2-Thread Chain Stitch

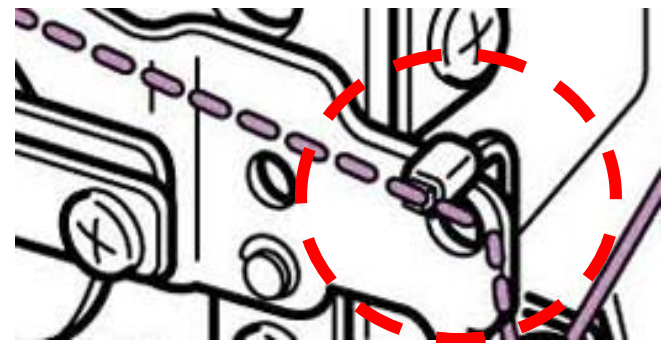
Once you have looped around the guide
You will see how the thread lays against
the take up lever.



Next guide is on the back of the metal guide plate.

Do not pass thread through the hole in
the guide plate.

If threaded properly, the thread should be
ready to just lay in the guide.

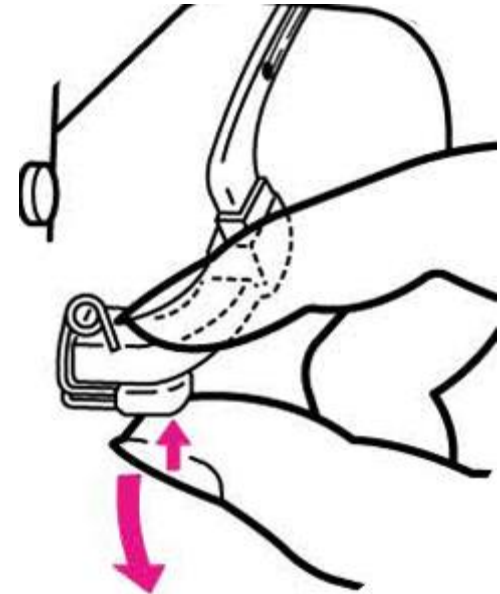


2-Thread Chain Stitch

Now we need to thread the looper.

Turn the handwheel on the machine so that the needle bar is in the lowest position.

Press the looper auto threader white button up towards the chain looper and gently pull the looper downward.



2-Thread Chain Stitch

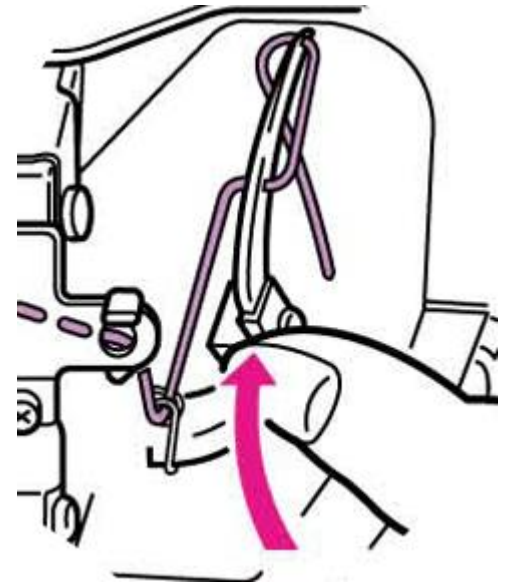
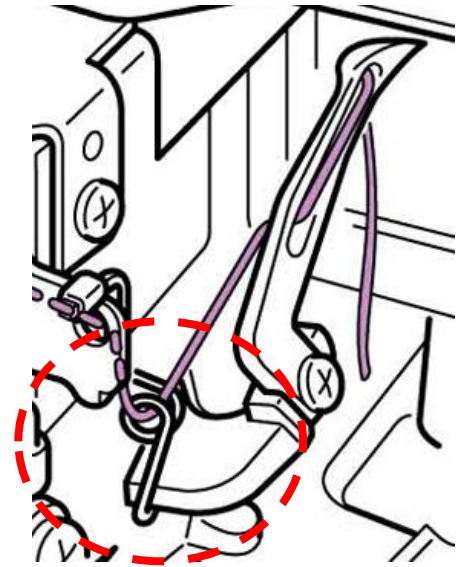
For the chain stitch there is one extra guide that needs to be threaded.

Thread the lower looper eye from back to front.

Then draw thread up to the top looper eye.

Press looper button upwards to engage the looper.

Leave a thread tail of approximately 3 inches.



2-Thread Chain Stitch

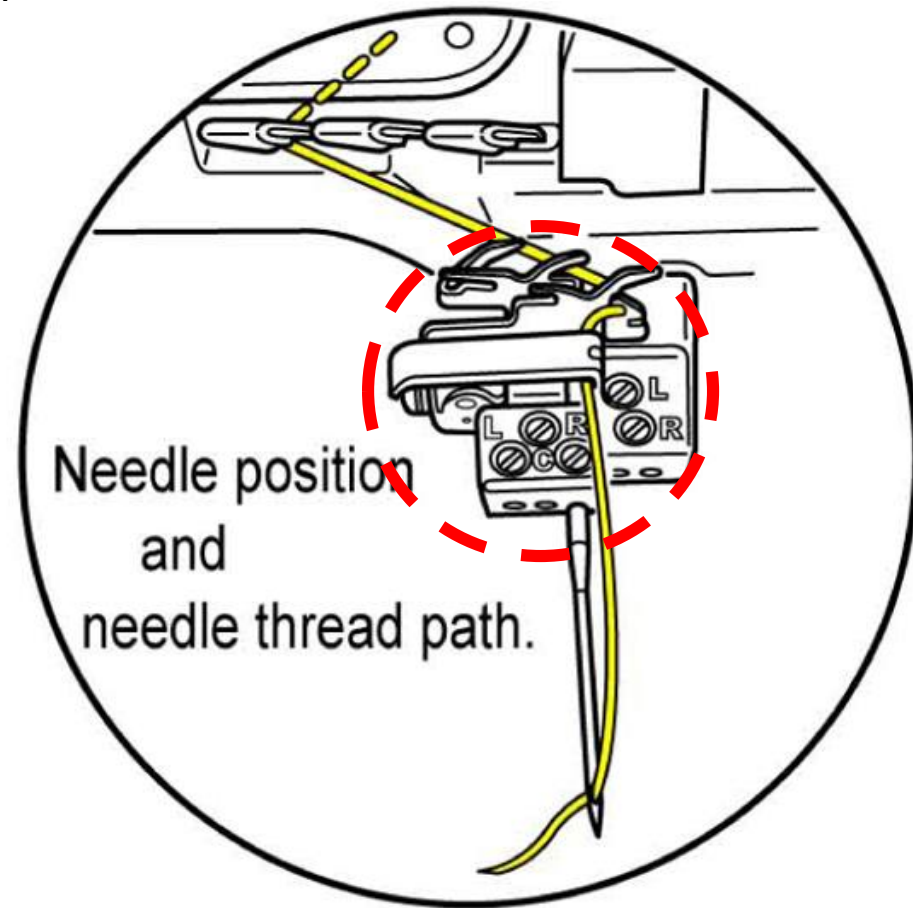
Hold the thread tail from the chain stitch looper

Raise the needle bar to the highest position.

Thread the needle using the Yellow tension guides.

When you reach the guides above the needle the placement of the thread will be slightly different than what we have used Previously.

Thread the guides as shown here and then thread the needle.



2-Thread Chain Stitch

Let's change the machine settings.

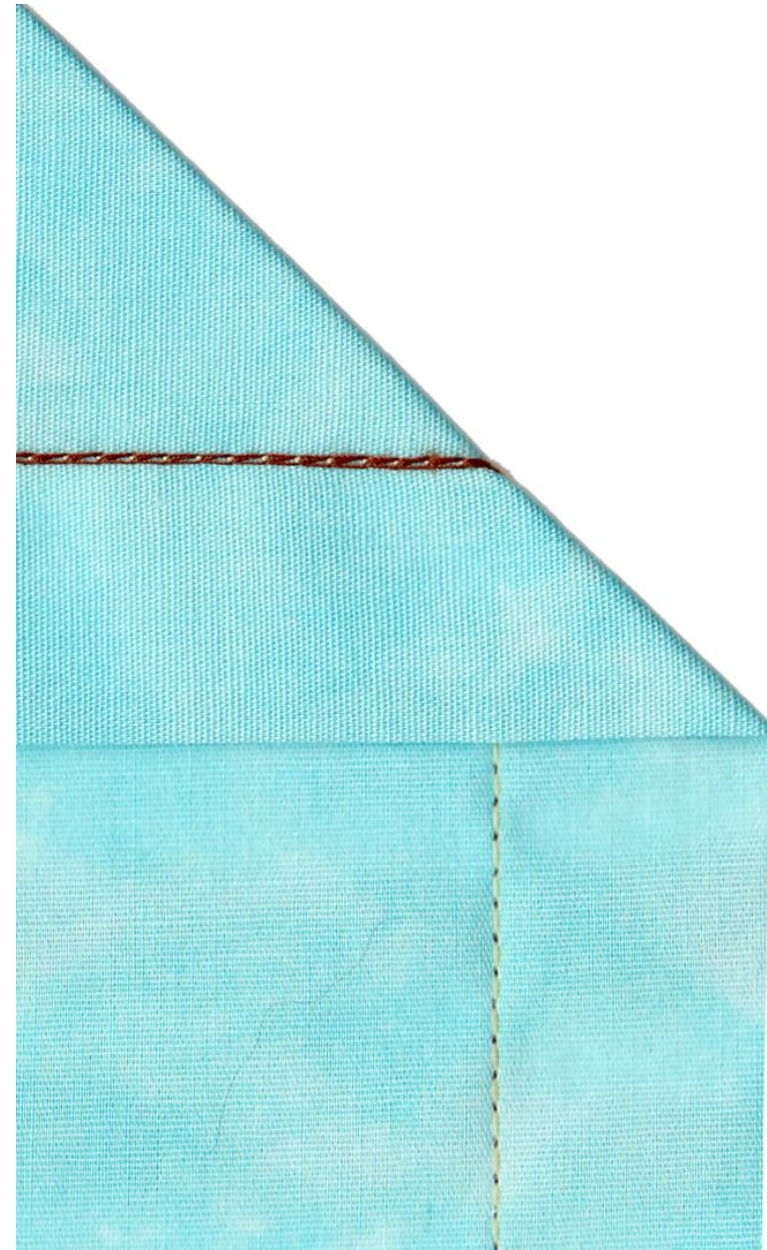
Yellow Needle Tension should be 4
Differential feed should be N
Stitch length should be 2.5

The Upper Knife is disengaged.

Place two layers of cotton fabric with wrong side facing up, under the presser foot and begin sewing at a slow to medium speed.

If you have the brown thread pulling to the top decrease the needle tension.

If the chain stitch thread is looping, check that you have threaded the looper properly.



2-Thread Decorative Chain Stitch

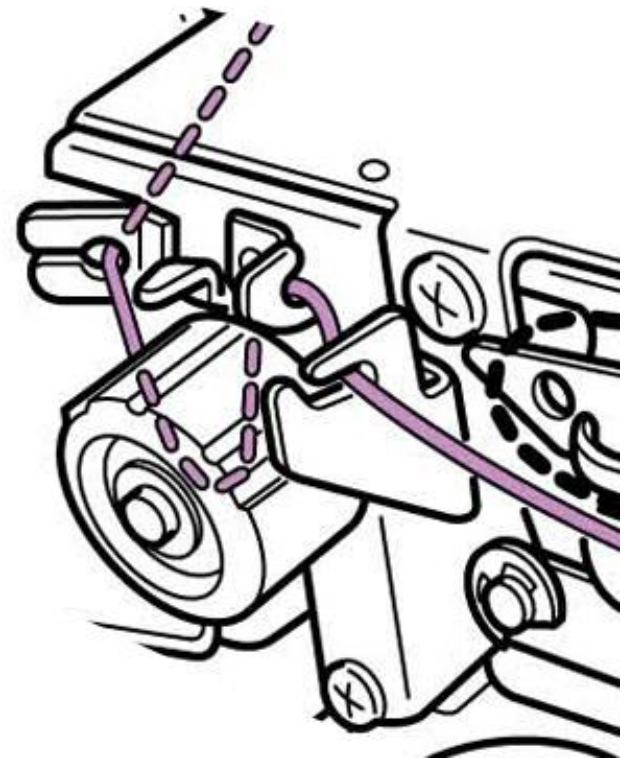
Clip the needle thread close to the eye of the needle.

Click the brown looper thread and then chain off until all thread has been removed from the machine.

There is a spool of poly floss in your sewing kit.
Please locate that now.

Adjust the chain stitch tension to L.

Thread the Chain Stitch Looper with the poly floss.



2-Thread Decorative Chain Stitch

Thread the needle using the Yellow tensions.

Change the Stitch length to 3.0.

Place one piece of cotton fabric with wrong side facing up under the presser foot and begin sewing at a slow to medium speed.

The poly floss will be stitched on the underside of the fabric.

The chain stitch can be used for practical or decorative purposes.

You can even create a mock quilt stitch using invisible thread and changing the tensions.



Triple Cover Stitch or 4-Thread Cover Stitch

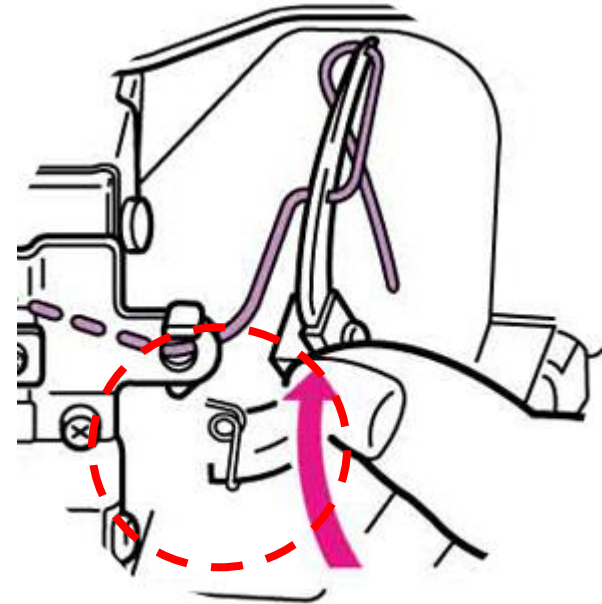
The 4-Thread Cover Stitch uses three threads in the needles and one in the chain looper.

To set the machine up for this stitch, open the Cloth Plate cover.

Remove the thread from the small pigtail guide on the looper.

Raise the presser foot and chain off until all yellow thread is removed from the machine.

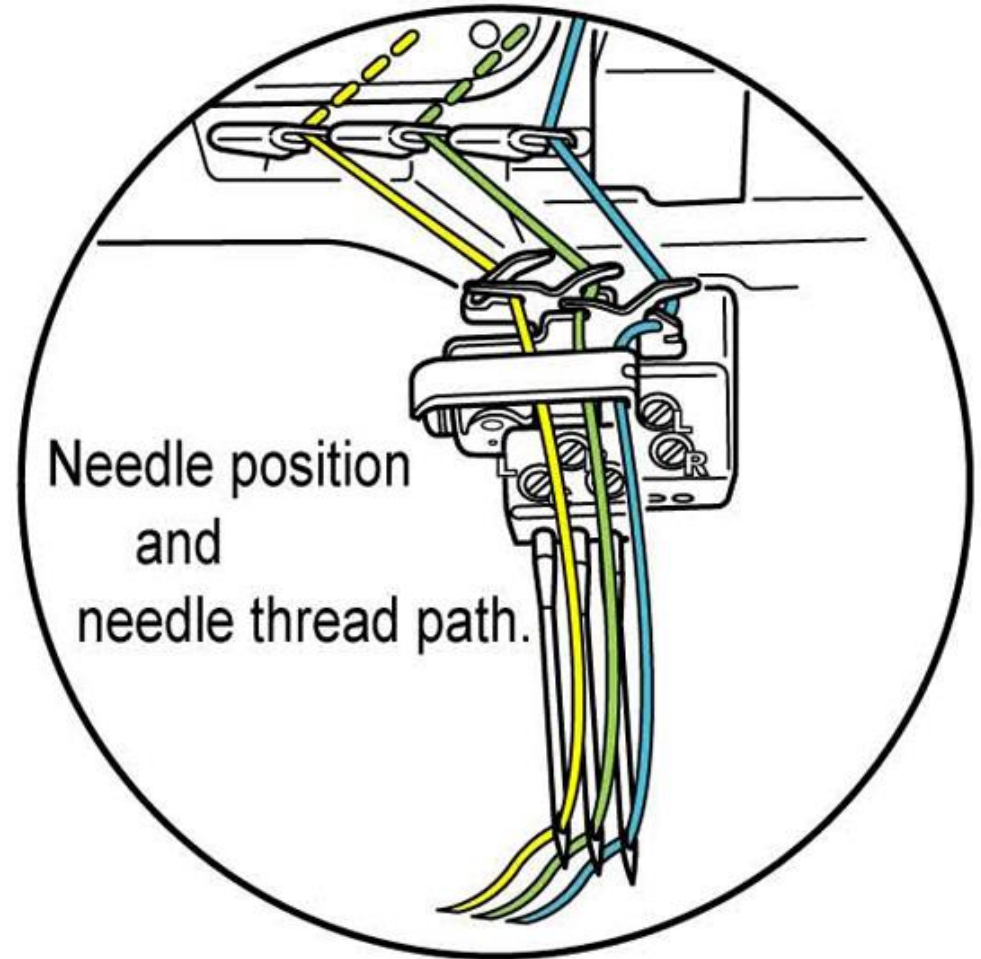
Clip yellow needle thread above the eye of the needle.



Triple Cover Stitch or 4-Thread Cover Stitch

Place needles in the Center and Right Needle positions.

There will be three needles in the front left needle holder.

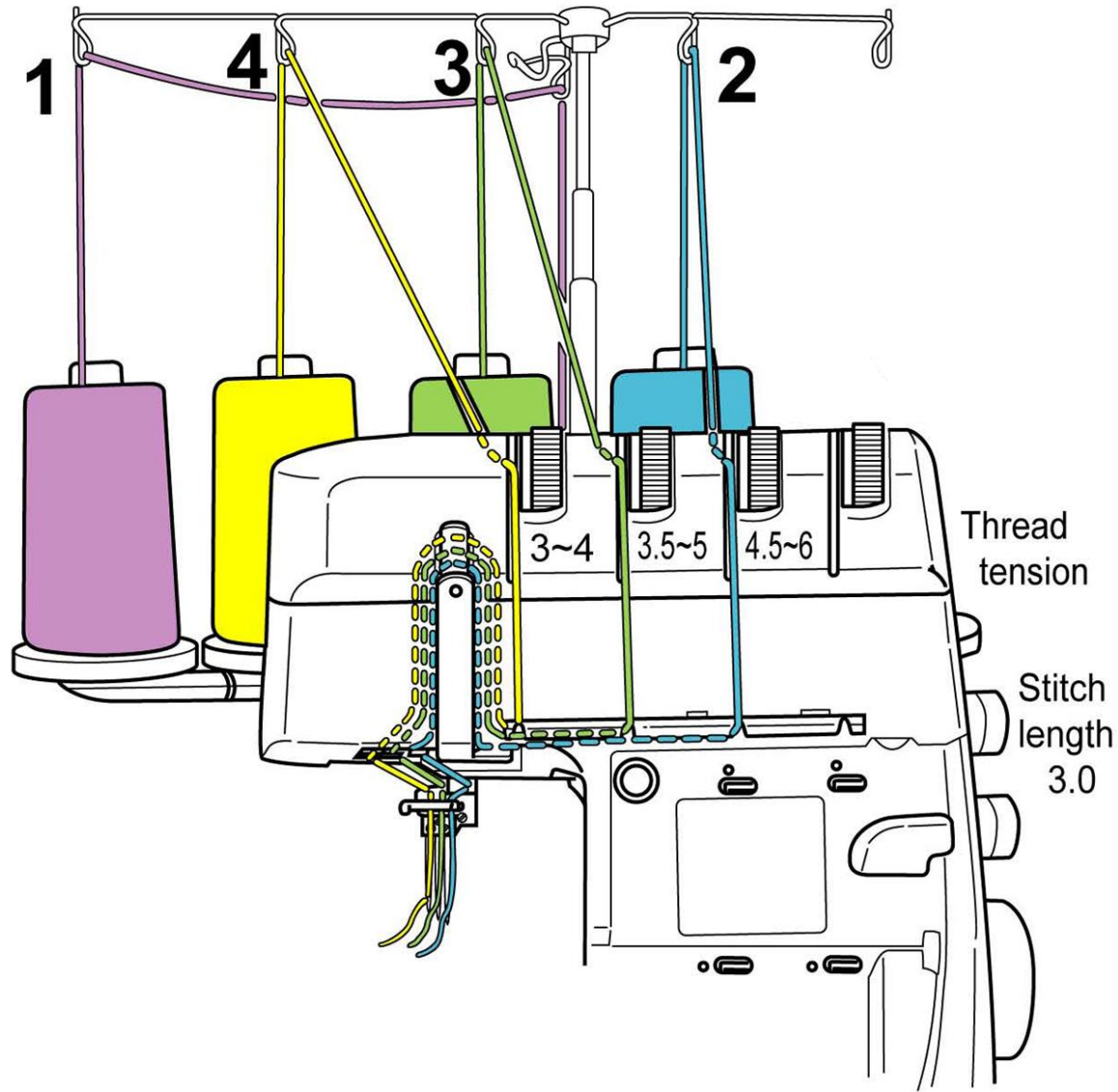


Triple Cover Stitch or 4-Thread Cover Stitch

Use the chart at the front of the Overlock Notebook to thread the needles.

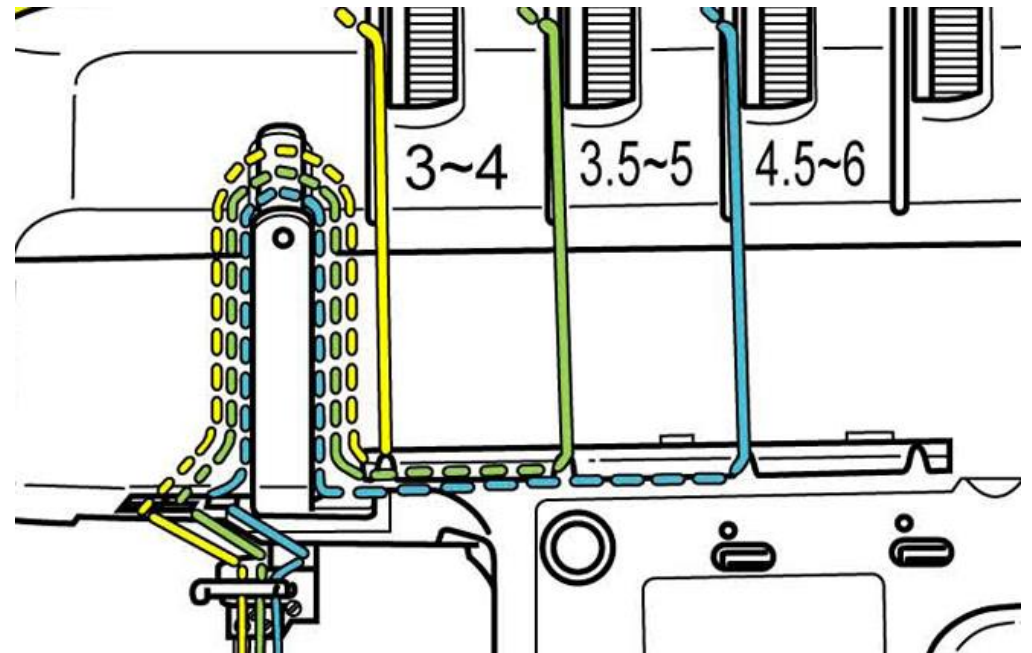
Change the Stitch Length to 3.

Set the tensions as noted on the threading chart.



Triple Cover Stitch or 4-Thread Cover Stitch

Instead of threading the blue thread through the upper looper follow the thread path for the Green needle thread.

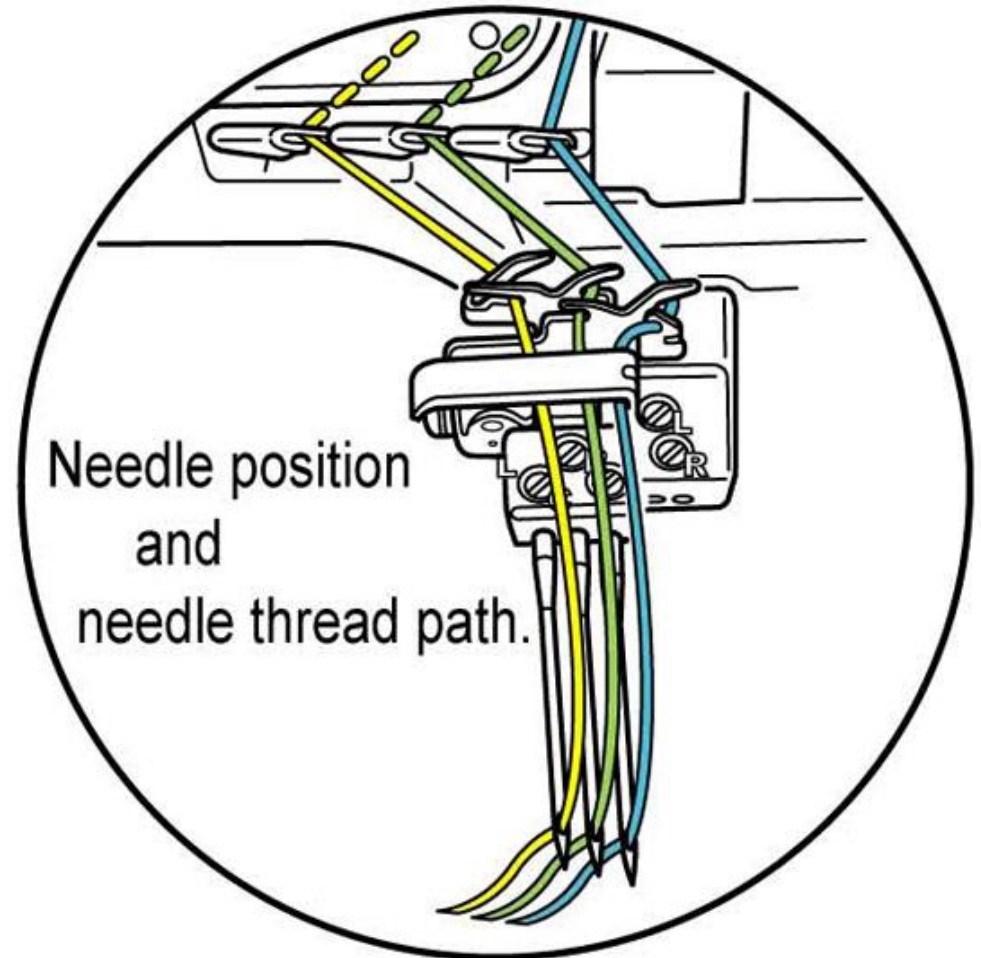


Triple Cover Stitch or 4-Thread Cover Stitch

Thread the guides above the needles as shown here.

Hold the thread tails for the needle and chain looper thread.

With the presser foot in the up position, slowly chain off stitches.



Triple Cover Stitch or 4-Thread Cover Stitch

Locate the one of the cotton fabric pieces that have been folded to create a hem.

Place fabric under presser foot so that the right side is facing up and the folded edge is lined up with the 2.5 marked line on the Cover Extension Plate or Table.

Begin sewing at a slow to medium speed.

Your finished sample should look similar to this.

The raw edge of the hem is finishing and a triple cover hem has been created.



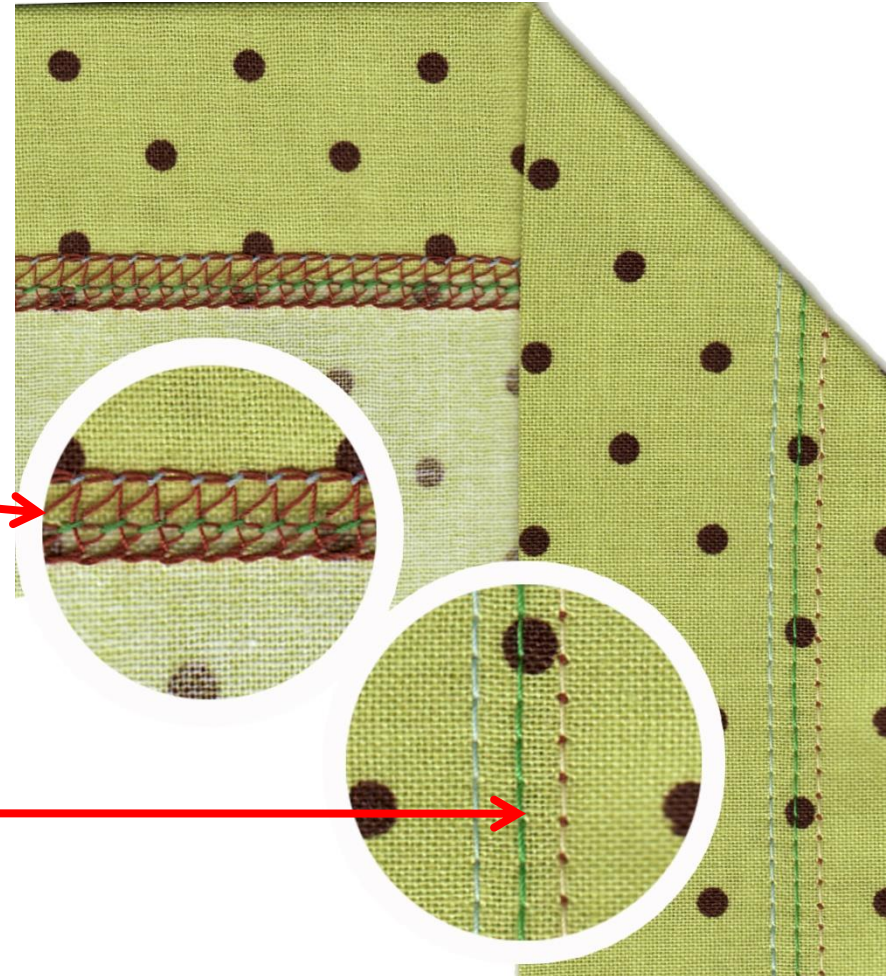
Triple Cover Stitch or 4-Thread Cover Stitch

Look at the stitching on the back of the stitch sample.

If the needle thread (green, blue or yellow) is looping on the bottom, tighten the thread tension for that needle.

Look at the top cover stitching.

If you see any of the looper (brown) thread on top, loosen the needle tension.



Wide and Narrow Cover Stitch

You can create different cover stitch effects by removing one of the needles.

To create a wide cover stitch, clip the thread above the center needle position.

Remove the needle.

Locate one of the cotton pieces that have been folded to create a hem.

Place fabric under presser foot so that the right side is facing up and the folded edge is lined up with the 2.5 marked line on the Cover Extension Plate or Table.

Begin sewing at a slow to medium speed.

Your finished sample should look similar to this.



Wide and Narrow Cover Stitch

You can create different cover stitch effects by removing one of the needles.

A narrow cover stitch can be created using:
Left and Center needles or the Center and Right needles.

The Narrow Cover Stitch can also be used to create
pintucks in lightweight fabrics.



5 Thread Overlock

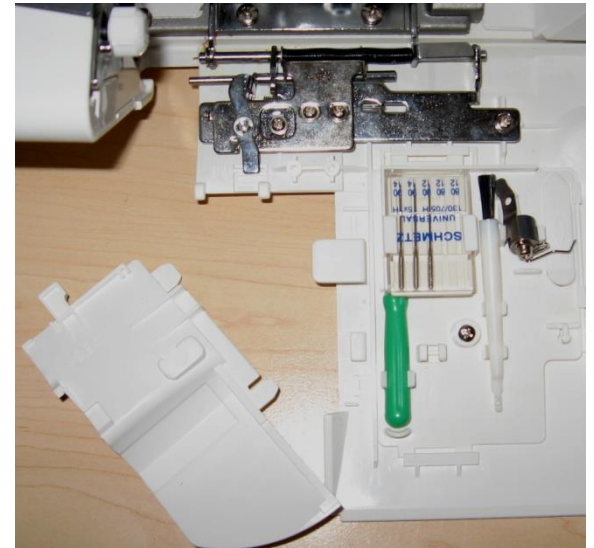
At the front of the training notebook there is a chart for the Interlock threading.

Please locate that chart.

This is a combination of the Chain Stitch and 3 Thread Overlock stitches.

Thread the machine so that you can create this stitch.

Remember to remove the Cover Extension Table and place the knife guard back on the looper cover.



5 Thread Overlock

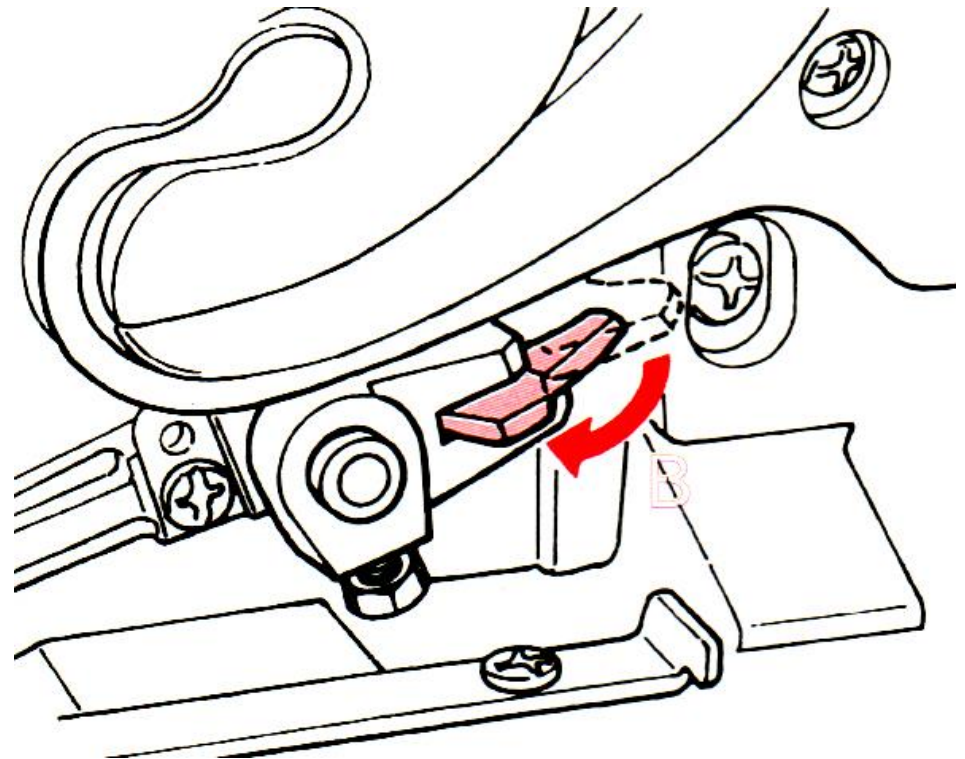
Remember to engage the Upper Looper.

Turn the handwheel to bring the needles to the lowest position.

Open the looper cover.

Pull the release lever forwards until it snaps into position.

The upper looper is now active.



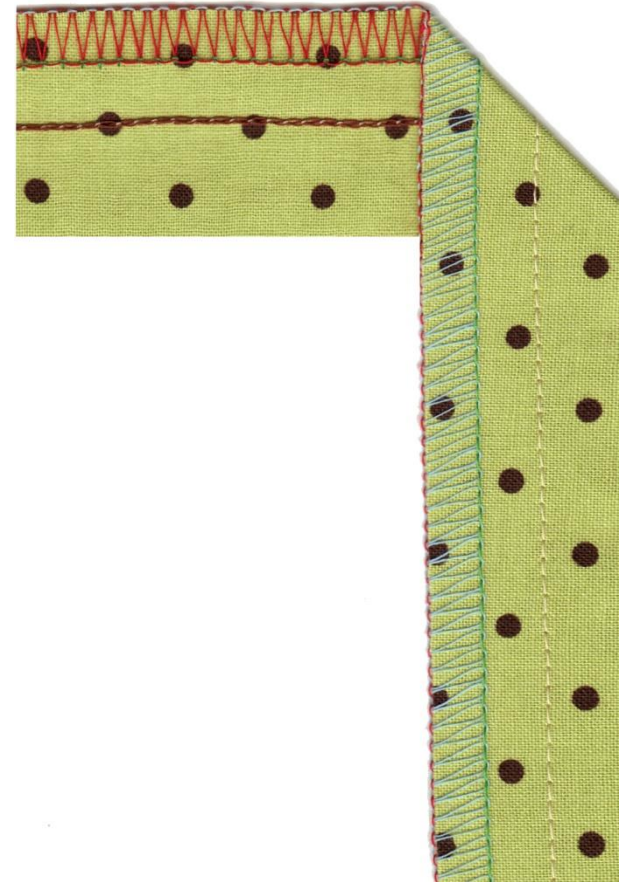
5 Thread Overlock

Change the presser foot on the machine to the standard presser foot.

Replace or add needles.

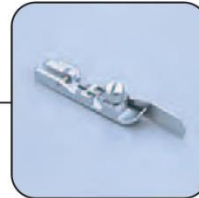
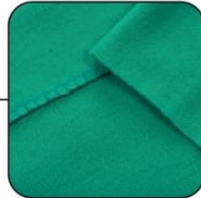
Thread the machine and start sewing.

Your finished sample should look similar to this.

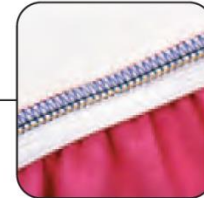


The MO series has additional accessory presser feet that when added to the stitch functions, can greatly increase the creative potential of the Mo 735 and Mo 734-DE.

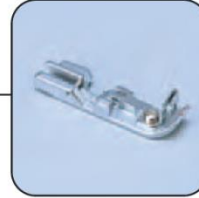
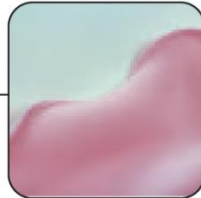
Blind Stitch Presser Foot:
Part No. A9810-634-0A0A



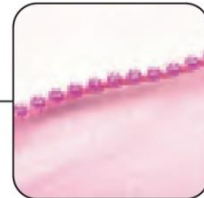
Elasticator Presser Foot:
Part No. A9815-655-0A0A



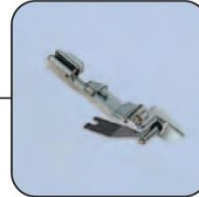
Cording Presser Foot:
Part No. A9820-655-0A0A



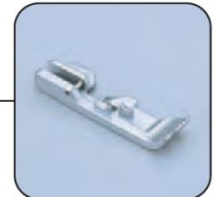
Beading Presser Foot:
Part No. A9870-634-0A0A



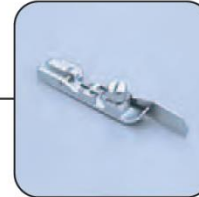
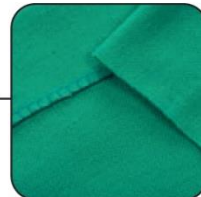
Gathering Presser Foot:
Part No. A9860-655-0A0B



Piping Presser Foot:
Part No. A9865-655-0A0A



Universal/Blind Stitch Presser Foot:
Part No. A9521-634-0A0



Curved Pearl Foot:
Part No. A9511-634-0A0A

