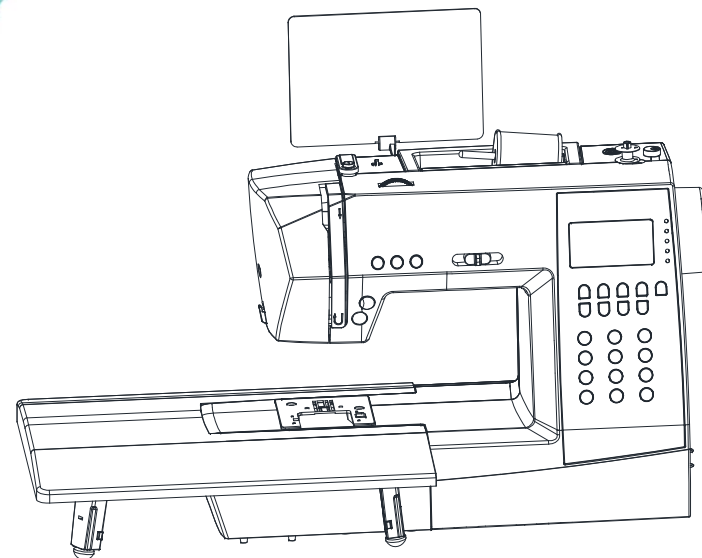


Parts List

Ever Sewn



MODEL sparrow 30

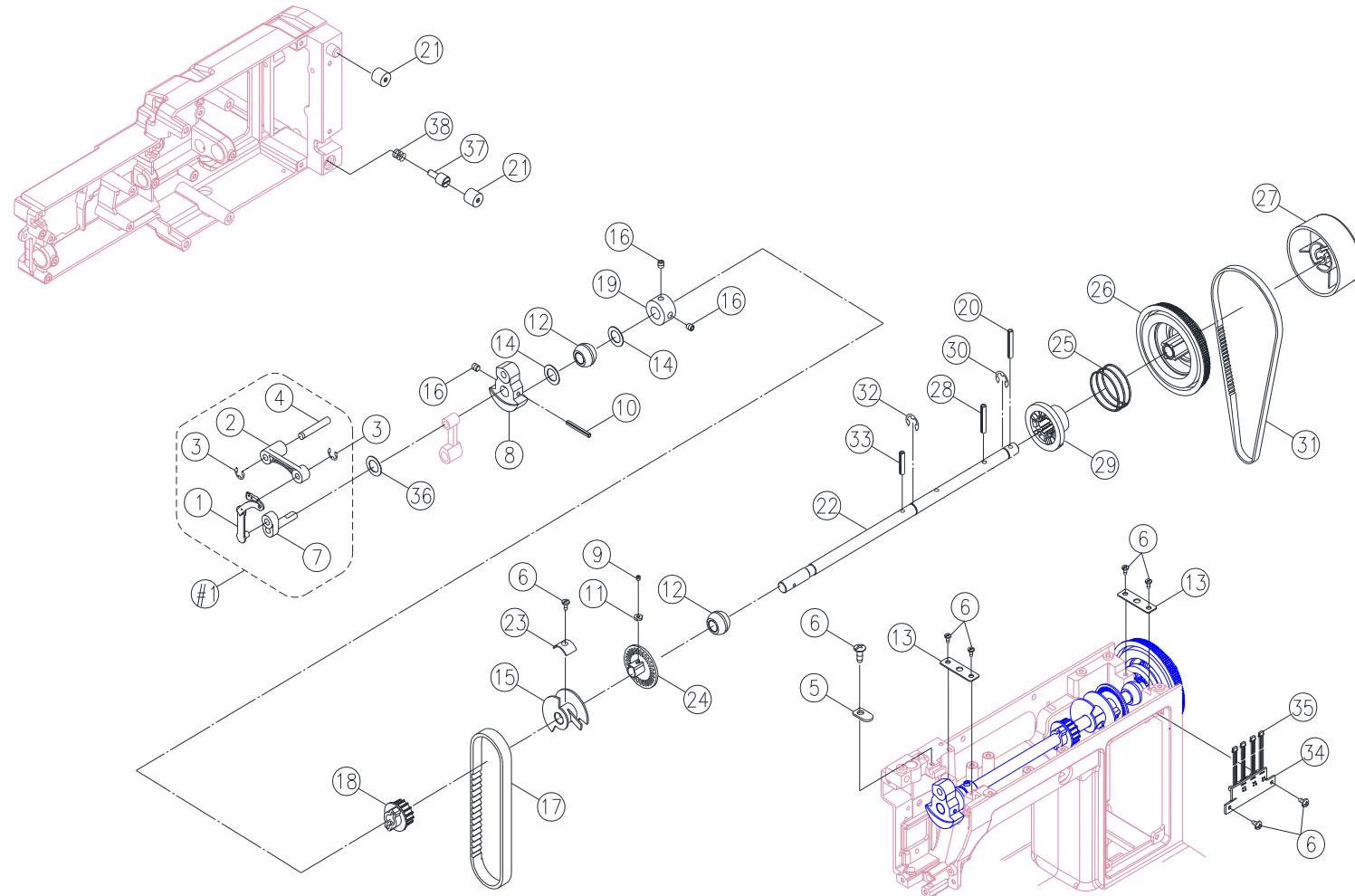
~ LIST OF CONTENTS ~

- A. ARM SHAFT
- B. ARM, ZIGZAG PULSE MOTOR PLATE, NEEDLE BAR SUPPORTER
- C. NEEDLE PLATE COMPLETE, AUTO CUTTER COMPLETE
- D. DIAL TENSION COMPLETE, BH LEVER PLATE
- E. FEED DOG SUPPORTER, PULSE MOTOR COMPLETE
- F. LOWER SHAFT, BOBBIN SHAFT
- G. HF TRANSFORMER BOX, DC MOTOR COMPLETE
- H. FRONT COVER, BACK COVER
- I. FACE PLATE, SEWING TABLE BODY
- J. ACCESSORIES

PLEASE NOTE:

THE PARTS MENTIONED WITHOUT NUMBER IN THE PARTS LIST ARE NOT AVAILABLE.
TAKE CARE THE PARTS FOR THE MODEL AND THE VOLTAGE APPLICATION & SPEC. YOU NEED.

A. ARM SHAFT

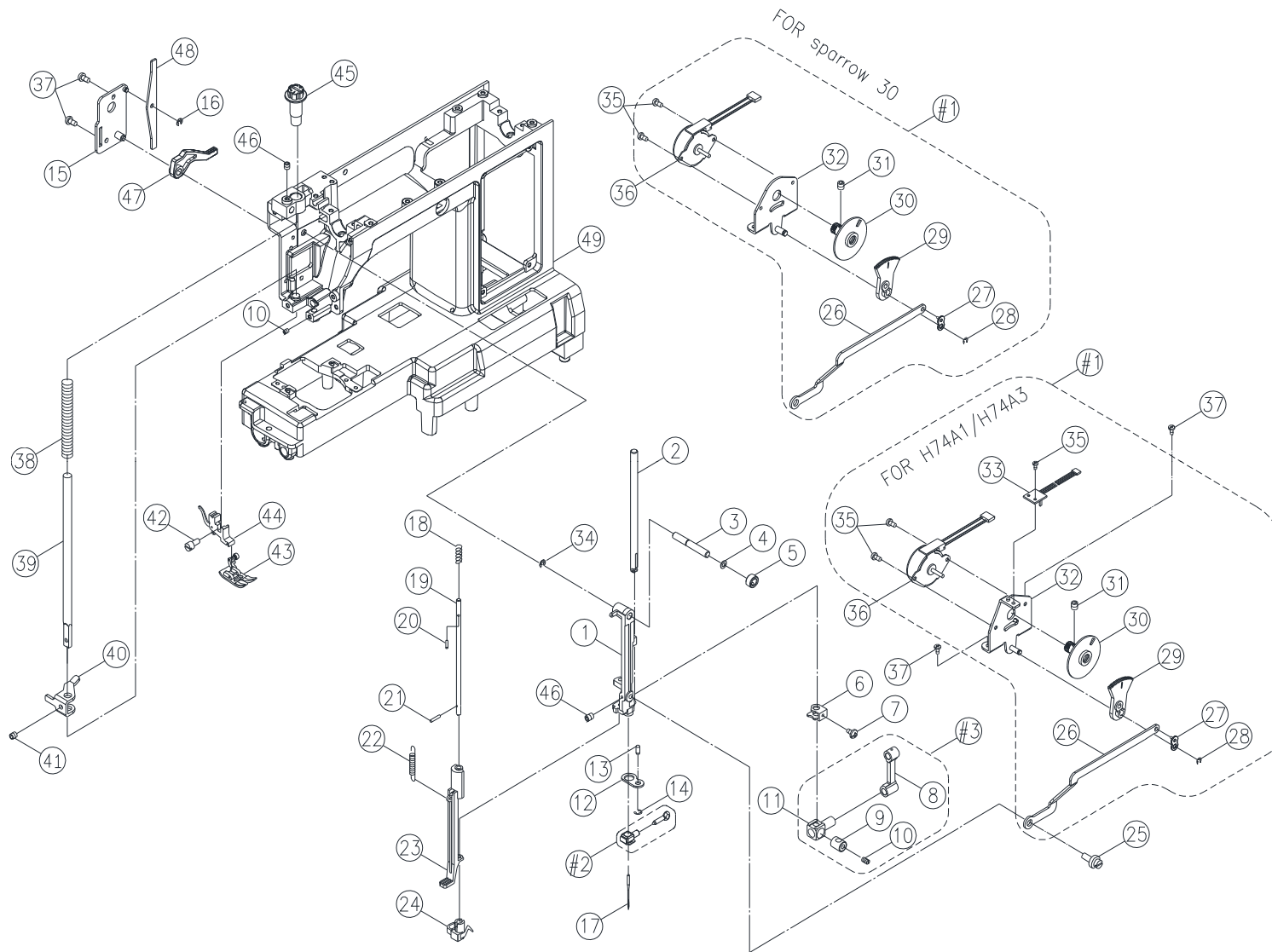


A. ARM SHAFT

NO.	ITEM NO.	NAME	REMARK
1	H1A0575000	THREAD TAKE UP LEVER COMPLETE	
2	E1A2653000	THREAD TAKE UP LEVER SUPPORTER	
3	003010036	E-RING (ETW-3)	
4	V60223003	THREAD TAKE UP LEVER SUPPORTER SHAFT	
5	H13093003	SET WASTER	
6	004240106	SET SCREW (M4×8A)	
7	H1A0493000	ARM SHAFT BALANCE PIN COMPLETE	
8	H1A1713000	ARM SHAFT BALANCE	
9	004240223	SET SCREW (M4×6)	
10	003043524	ARM SHAFT BALANCE PIN (ϕ 3.5×24)	
11	004840022	NUT (M4 T=3)	
12	R10293000	ARM SHAFT BUSHING	
13	E1A2623003	ARM SHAFT BUSHING HOLDER PLATE	
14	004400080	ENDURE ATTRITION WASHER	
15	CAA1693582	ROTARY SENSOR COLLAR	
16	004250203	SET SCREW (M5×5)	
17	00742505M6	BELT	
18	H1A0403000	ARM SHAFT SPROCKET	
19	R10313000	ARM SHAFT COLLAR	
20	003043030	SPRING PIN (ϕ 3×30)	
21	K6A0063002	FREE ARM BASE CUSHION RUBBER	
22	H1A0033000	ARM SHAFT	
23	D3A0043002	ARC WASHER	
24	008410000	REVOLUTION CONTROL PANEL	
25	D5A0573003	ARM SHAFT CLUTCH ANNULUS SPRING	
26	H1A0103000	ARM SHAFT DRIVE BELT PULLEY	
27	H7AD113695	HAND WHEEL	
28	003043028	SPRING PIN (ϕ 3×28)	
29	D5A0583000	CLUTCH SLEEVE	
30	003010083	E-RING (ETW-8)	
31	00749402M5	BELT	
32	003010093	E-RING (ETW-9)	

NO.	ITEM NO.	NAME	REMARK
33	003043018	SPRING PIN (ϕ 3×18)	
34	008H7A0059	PHOTO SENSOR PLATE	
35			FOR H76A
36	0044000020	ENDURE ATTRITION WASHER(6.2x12x0.25)	
37	K82133006	BASE PLATE ADJUSTMENT SCREW	
38	E1A2573006	BASE PLATE ADJUSTMENT SCREW SPRING	
#1	H1A0494000	THREAD TAKE UP LEVER COMPLETE	

B. ARM, ZIGZAG PULSE MOTOR PLATE, NEEDLE BAR SUPPORTER

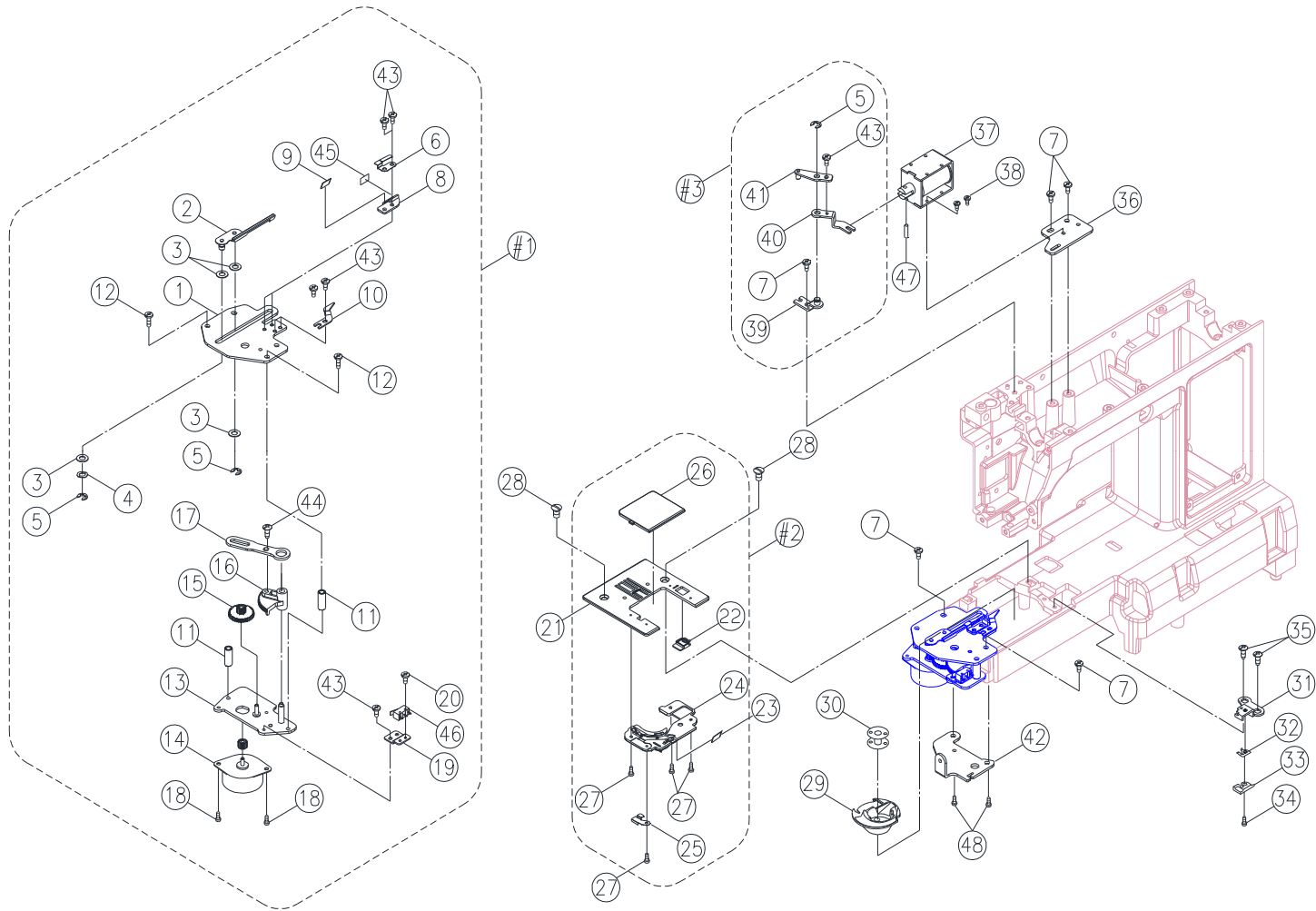


B. ARM, ZIGZAG PULSE MOTOR PLATE, NEEDLE BAR SUPPORTER

NO.	ITEM NO.	NAME	REMARK
1	H7A0383000	NEEDLE BAR SUPPORTER	
2	V70273000	NEEDLE BAR	
3	H7A0393000	NEEDLE BAR SUPPORTER PIN	
4	004300186	WASHER (6.2×12×0.5)	
5	V880413003	COLLAR	
6	M70073002	THREADING STOPPER	
7	0042300126	SET SCREW (M3×8A)	
8	F4A3343000	NEEDLE BAR CRANK ROD	
9	H10263000	NEEDLE BAR BRACKET (2)	
10	004240503	SET SCREW (M4×4C)	
11	H10253000	NEEDLE BAR BRACKET (1)	
12	H7A0773003	NEEDLE BAR SWING RING	
13	CAA1823000	NEEDLE BAR SUPPORTER PLATE PIN	
14	003010043	E-RING (ETW-4)	
15	H1A0053003	CLAMP PLATE	
16	003010036	E-RING (ETW-3)	
17	006046148	NEEDLE (#14)	
18	R12793003	AUTO THREADER SHAFT SPRING	
19	V61843002	THREADING SHAFT	
20	003042014	AUTO THREADER SHAFT PIN (φ2×14)	
21	M70043000	SHAFT PIN (φ2×6)	
22	M70093000	THREADING SHAFT SPRING	
23	R10083000	AUTO THREAD LEVER	
24	E1A2125000	AUTO THREADER	
25	E1A2993000	NEEDLE BAR DRIVING ROD PIN	
26	H7A0373003	NEEDLE BAR DRIVING ROD	
27	P3C0123002	NEEDLE BAR DRIVING ROD PLATE	
28	003010046	E-RING (ETW-4)	
29	H1A1533582	ZIGZAG CRANK GEAR	
30	R1A1394000	PULSE MOTOR GEAR COMPLETE	
31	004230433	SET SCREW (M3×3)	
32	H7A1075000	ZIGZAG PULSE MOTOR PLATE	

NO.	ITEM NO.	NAME	REMARK
33			FOR H74A1/H74A3
34	003010053	E-RING (ETW-5)	
35	004230702	SET SCREW (M3×5A)	
36	001H1C0001	PULSE MOTOR	
37	004240106	SET SCREW (M4×8 A)	
38	E1A2493003	PRESSER BAR SPRING	
39	V70153002	PRESSER BAR	
40	H1A0093003	PRESSER BAR BRACKET	
41	004240223	SET SCREW (M4×6)	
42	004106021	SET SCREW (9/64×40×7.5)	
43	006186008	ALL PURPOSE FOOT	
44	006187008	SHANK COMPLETE	
45	V620163210	PRESSER BAR REGULATING SCREW COMPLETE	
46	004230203	SET SCREW (M3×4)	
47	H1A0073000	PRESSER BAR LIFTER LEVER	
48	H1A0063003	TENSION LEVER LIFTER	
49	H7A0013000	ARM	
#1	H7A1214000	ZIGZAG PULSE MOTOR PLATE COMPLETE	
#2	TA11034000	NEEDLE CLAMP COMPLETE	
#3	F4A3335000	NEEDLE BAR CRANK ROD COMPLETE	

C. NEEDLE PLATE COMPLETE, AUTO CUTTER COMPLETE

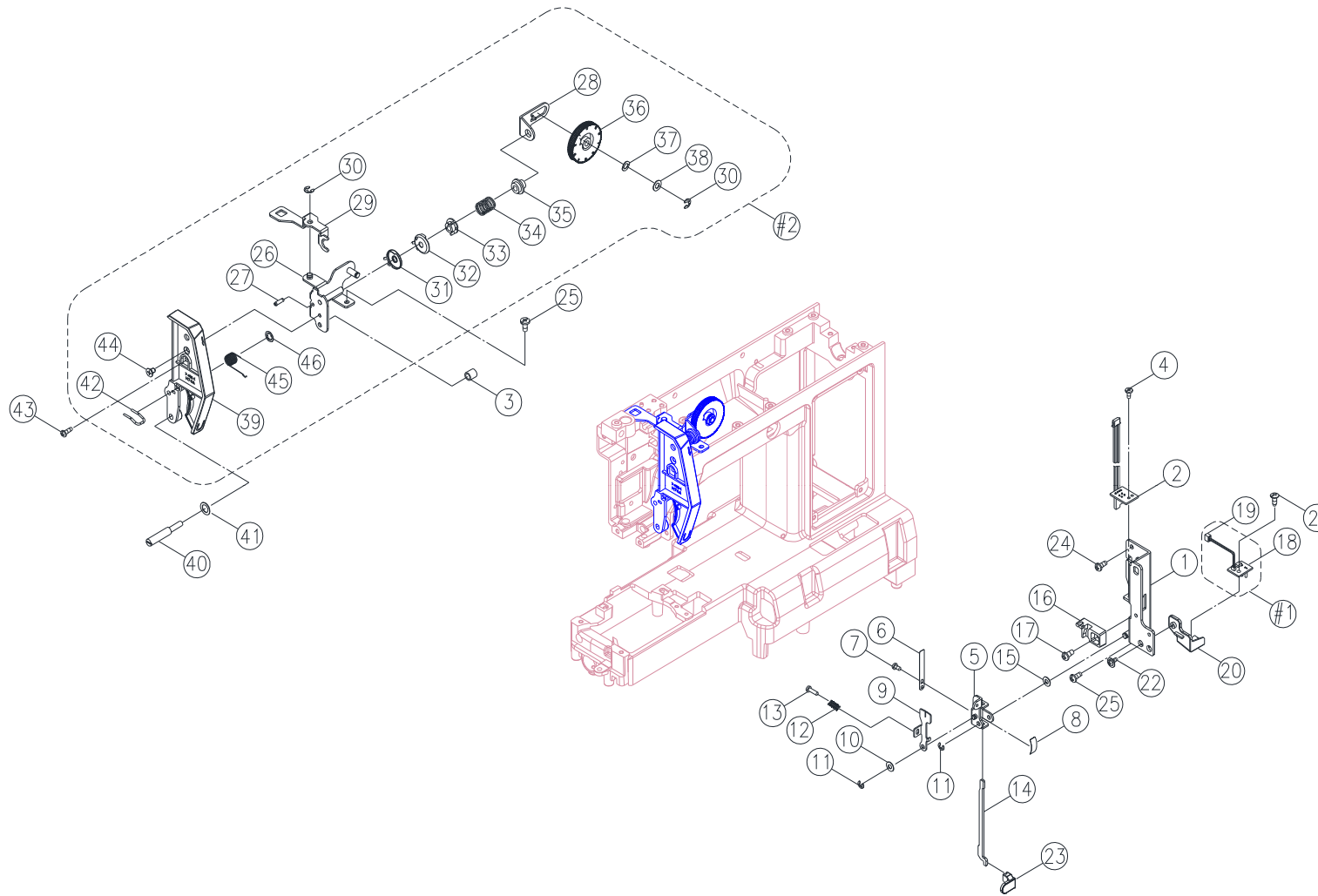


C. NEEDLE PLATE COMPLETE, AUTO CUTTER COMPLETE

NO.	ITEM NO.	NAME	REMARK
1	H7A0943006	MOVABLE CUTTER PLATE	
2	H7A0195000	MOVABLE CUTTER PLATE	
3	004400180	WASHER (5.7x10.5x0.5)	
4	0045520010	WASHER(WW-5.2)	
5	003010043	E-RING (ETW-4)	
6	H7A0243000	MOVABLE KNIFE PLATE	
7	004240106	SET SCREW (M4x8A)	
8	H7A0203000	FIXED BRACKET	
9	V630593000	THREAD CUTTER	
10	H7A0933002	ROTARY HOOK PLATE	
11	H7A0283006	SLEEVE	
12	004240376	SET SCREW (M4x25B)	
13	H7A0225000	PULSE MOTOR PLATE	
14	001H7A0006	PULSE MOTOR COMPLETE	
15	H7A0293000	LOWER THRAD GEAR	
16	H7A0183000	MOVABLE CUTTER GEAR	
17	H7A0253006	MOVABLE CUTTER CRANK	
18	004230702	SET SCREW (M3x5A)	
19	H7A0723003	TRIMMER MICRO SWITCH SUPPORTER	
20	004220112	SET SCREW (M2x0.4x7.5)	
21	H7A0153004	NEEDLE PLATE	
22	NB0233000	NEEDLE PLATE COVER OPEN	
23	V630593000	THREAD CUTTER	
24	H7AA013000	NEEDLE PLATE SUPPORTER	
25	E1A2603000	NEEDLE PLATE SPRING	
26	H2A0053000	NEEDLE PLATE COVER	
27	0042200016	SET SCREW (M2X3)	
28	004240851	SET SCREW (M4x6)	
29	H7A0644000	SHUTTLE HOOK ASSEMBLE	
30	006084009	BOBBIN	
31	E1A0603002	ROTARY HOOK PLATE (2)	
32	F30893000	ROTARY HOOK PLATE SPRING (2)	

NO.	ITEM NO.	NAME	REMARK
33	F30883000	ROTARY HOOK PLATE SPRING (1)	
34	004220056	SET SCREW (M2x2.5)	
35	004240056	SET SCREW (M4x6 B)	
36	H7A0093003	SOLENOID VALVE PLATE	
37	008H7A0012	SOLENOID VALVE	
38	004230016	SET SCREW (M3X6A)	
39	H7A0135000	MOVEMENT PLATE SUPPORTER	
40	H7A0103003	MOVEMENT PLATE CRANK	
41	H7A0115000	MOVEMENT PLATE CRANK PLATE	
42	H7A0403003	SUPPORTER	
43	0042300066	SET SCREW (M3X0.5X4A)	
44	004230216	SET SCREW (M4X8.5A)	
45	H7A0033000	BRUSH	
46	008H7A0013	MICRO SWITCH COMPLETE	
47	003043030	PIN(ϕ 3X30)	
48	004240066	SET SCREW (M4x8B)	
#1	H7A0455000	AUTO CUTTER COMPLETE	
#2	H7A0155000	NEEDLE PLATE COMPLETE	
#3	H7A0105000	MOVEMENT PLATE CRANK COMPLETE	

D. DIAL TENSION COMPLETE, BH LEVER PLATE

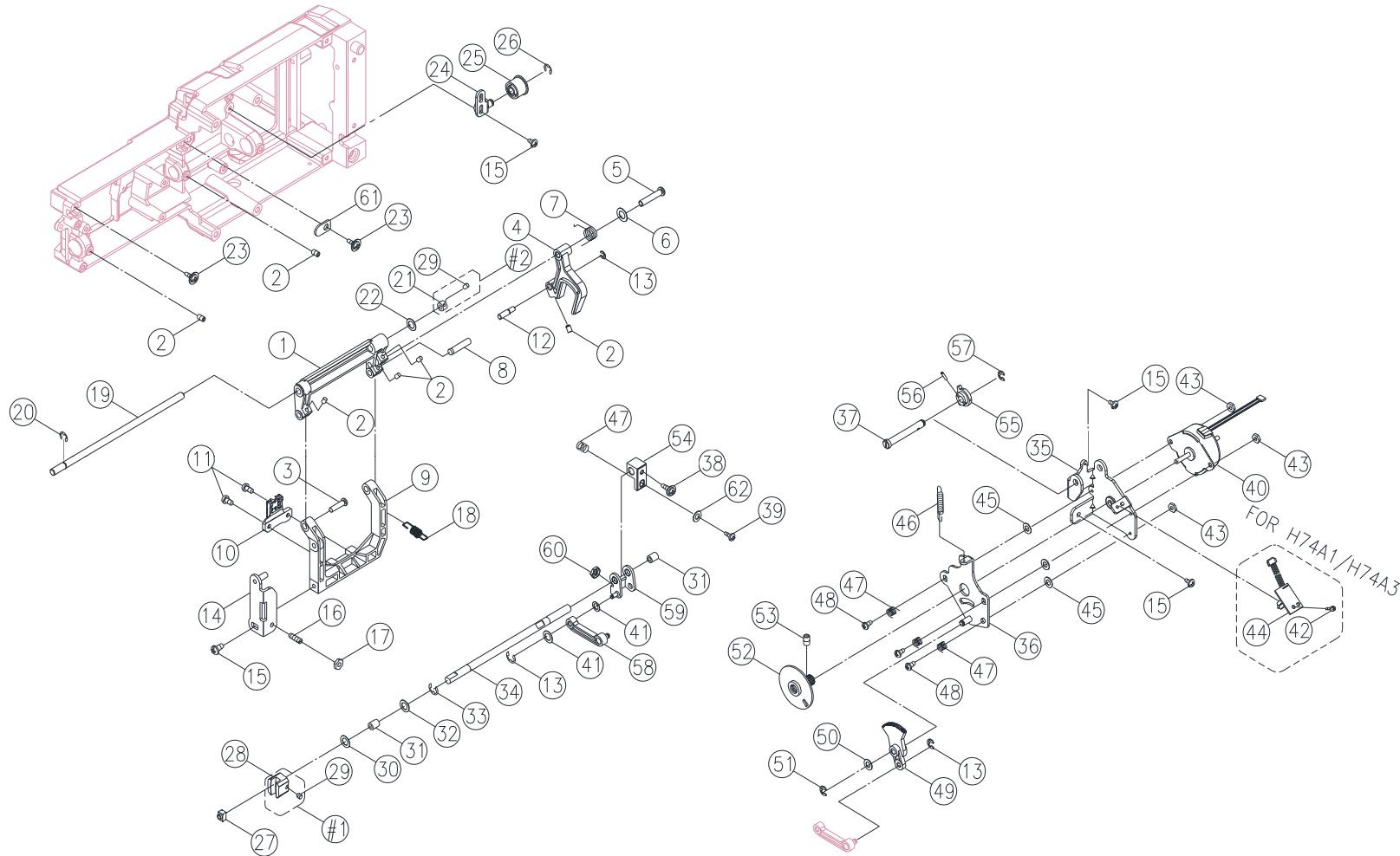


D. DIAL TENSION COMPLETE, BH LEVER PLATE

NO.	ITEM NO.	NAME	REMARK
1	H1A0273006	BH LEVER PLATE	
2	008H3B0020	PHOTO SENSOR COMPLETE	
3	H11103001	DIAL TENSION GUIDE SPRING TUBE	
4	004230702	SET SCREW (M3×5A)	
5	H7A0425000	BH LEVER CRANK COMPLETE	
6	CFA1053000	BH LEVER CRANK SPRING	
7	004230056	SET SCREW (M3×5B)	
8	E1A1483003	BH SPRING PLATE	
9	H7A0413003	PHOTO PLATE	
10	004300096	WASHER (4X8X0.5)	
11	003010036	E-RING (ETW-3)	
12	D3B1293003	PULSE SUPPORT SPRING	
13	004230596	SET SCREW (M3×16)	
14	P3C0183002	BH LEVER	
15	004300076	WASHER (4.2X9X0.5)	
16	P3C0203210	BH MOVEMENT CRANK	
17	004230016	SET SCREW (M3×6A)	
18	008CFA0015	LED LIGHT LAMP	
19	008H1A0019	LED LAMP LINE	
20	H1A0553209	LED HOLDER	
21	004230082	SET SCREW (M3×6B)	
22	004231016	SET SCREW (M3×5)	
23	H7AA013210	BH LEVER BUTTON	
24	004240106	SET SCREW (M4×8A)	
25	004240056	SET SCREW (M4×6 B)	
26	K6A0093002	DIAL TENSION SUPPORTER PLATE	
27	003043010	PIN(3×10×0.6)	
28	V60273006	DIAL TENSION SPRING PLATE	
29	H7A0083006	DIAL TENSION WAFT PLATE	
30	003010043	E-RING (ETW-4)	
31	J30423001	DIAL TENSION DISC (1)	
32	E1A2333001	DIAL TENSION DISC	

NO.	ITEM NO.	NAME	REMARK
33	R10593000	DIAL TENSION SPRING REGULATOR	
34	K50183003	DIAL TENSION SPRING	
35	K50193000	DIAL TENSION REGULATOR	
36	Q5AD013210	DIAL TENSION KNOB	
37	004500360	WASHER(WW-5)	
38	004300643	WASHER(5.2×10×0.5)	
39	H7AA163695	DIAL TENSION SUPPORTER PLATE COVER	
40	004240982	SET SCREW (M4)	
41	004300926	WASHER (4.1*8*1)	
42	P3A1353001	THREAD GUIDE	
43	004240146	SET SCREW (M4×15B)	
44	004240176	SET SCREW (M4×6)	
45	V60303000	THREAD GUIDE SPRING	
46	003020053	CS RING (CS-5)	
#1	008H1B0006	LED LIGHT LAMP COMPLETE	
#2	H7AA164695	DIAL TENSION COMPLETE	

E. FEED DOG SUPPORTER, PULSE MOTOR COMPLETE

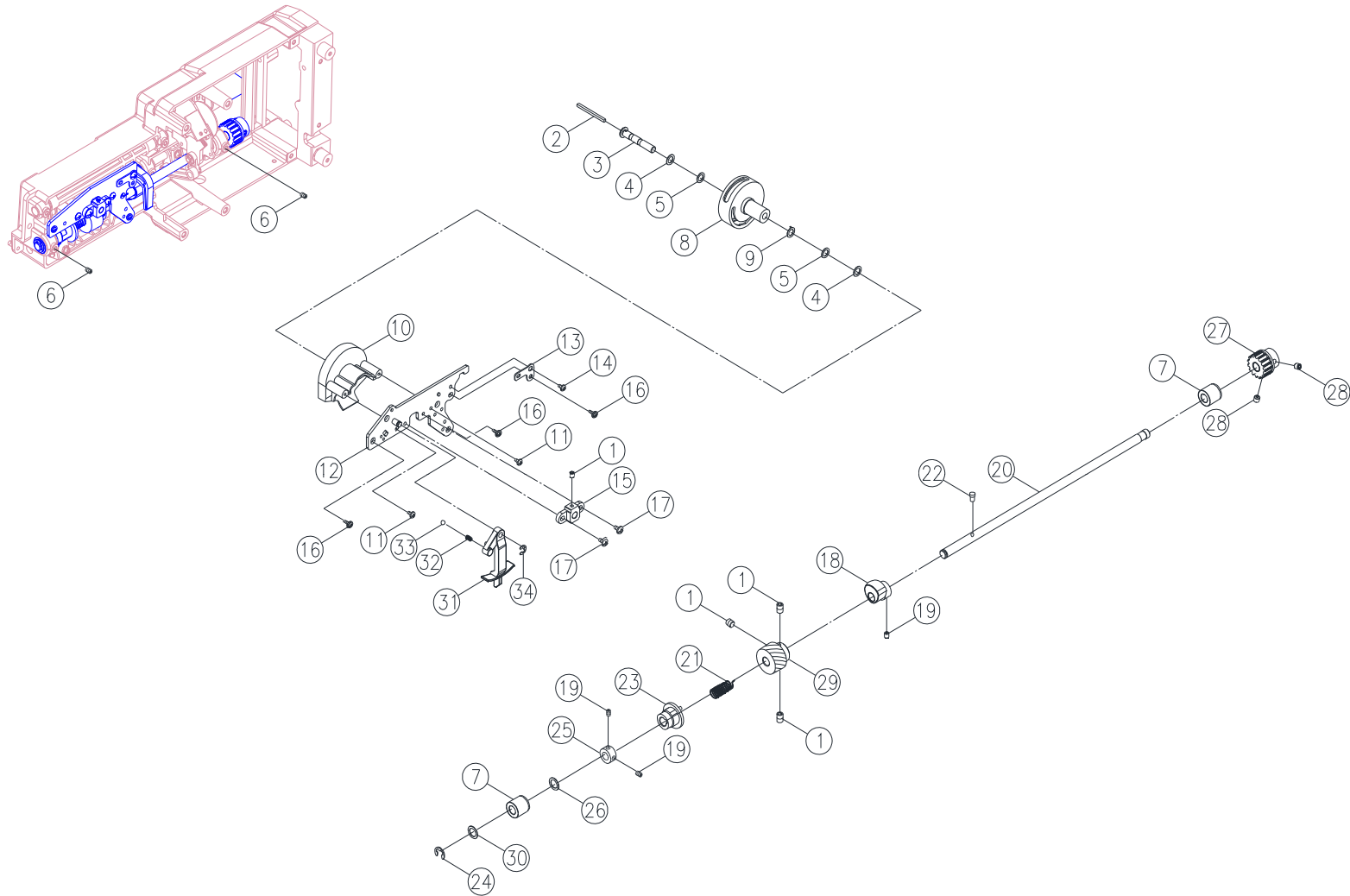


E. FEED DOG SUPPORTER, PULSE MOTOR COMPLETE

NO.	ITEM NO.	NAME	REMARK
1	H7A0303000	FEED ROCK SHAFT	
2	004240223	SET SCREW (M4×6)	
3	P3A0533003	FEED DOG SHAFT	
4	P3A0573000	FEED ROCK CRANK	
5	P3A0583003	FEED ROCK SHAFT	
6	004300733	WASHER (5.2×12×1)	
7	P3A0933003	FEED ROCK CRANK SPRING	
8	E1A0403000	FEED ROCK FRAME SHAFT (2)	
9	P3A0523000	FEED DOG SUPPORTER	
10	H7A0143000	FEED DOG	
11	004235016	SET SCREW (M3.5×0.6 L8)	
12	P3A0593000	REGULATING BLOCK SHAFT	
13	003010036	E-RING (ETW-3)	
14	P3A0553002	FEED LIFTING ROCK CRANK	
15	004240106	SET SCREW (M4×8 A)	
16	004241093	SET SCREW (M4×0.7 L9)	
17	004840106	ADJUSTING NUT (ALN-4)	
18	H1G0443003	FEED DOG SPRING	
19	H7A0313000	FEED ROCK SHAFT	
20	003010053	E-RING (E-5)	
21	H7A0883003	FEED COLLAR	
22	004300186	WASHER (6.2×12×0.5)	
23	004240546	SET SCREW (M4×12)	
24	H1A0433003	BELT ADJUSTING PLATE	
25	H1A0453000	BELT ADJUSTING PLATE PULLEY	
26	003010043	E-RING (ETW-4)	
27	F31403000	FEED REGULATING BLOCK	
28	F31393000	FEED REGULATING	
29	004240503	SET SCREW (M4×4)	
30	004400570	ENDURE ATTRITION WASHER(6.7×11.8×0.5)	
31	R11443000	FEED ROCK BUSHING	
32	004300123	WASHER (6.7×12×1)	

NO.	ITEM NO.	NAME	REMARK
33	003011052	E-RING (ETW-5)	
34	H1A0203000	FEED REGULATING SHAFT	
35	H7A1083006	PULSE SUPPORT PLATE	
36	H7A0325000	PULSE MOTOR REGULATING PLATE COMPLETE	
37	H7A0343000	FEED ROCK SHAFT	
38	004230776	SET SCREW (M3×12)	
39	004241202	SET SCREW (M4×18)	
40	001D3B1001	PULSE MOTOR COMPLETE	
41	004300136	WASHER (4.2×8×0.8)	
42	004230702	SET SCREW (M3×5A)	
43	004830016	NUT(M3)	
44			FOR H76A
45	004300946	WASHER (6.5×11×0.4)	
46	R1A2713003	FEED REGULATOR SPRING	
47	D1E0783003	PULSE MOTOR SPRING	
48	D3B1313006	SET SCREW	
49	P3C0243000	FEED CRANK SHAFT GEAR	
50	004300643	WASHER (5.2×10×0.5)	
51	003010046	E-RING (E-4)	
52	R1A1394000	PULSE MOTOR GEAR COMPLETE	
53	004230433	SET SCREW (M3×3)	
54	CAA1733000	FEED REGULATING CRANK (1)	
55	R1A2703000	FEED ROCK CAM	
56	0030400020	PIN	
57	003011052	E-RING (E-5)	
58	D3A0943000	FEED ROCK ROD	
59	D3A0273003	FEED REGULATING CRANK (2)	
60	004840106	ADJUSTING NUT (ALN-4)	
61	H13093003	SET WASTER	
62	004300986	WASHER (4.2×10×0.5)	
#1	D3A1674000	FEED REGULATING COMPLETE	
#2	H7A0885000	FEED COLLAR COMPLETE	

F. LOWER SHAFT, BOBBIN SHAFT

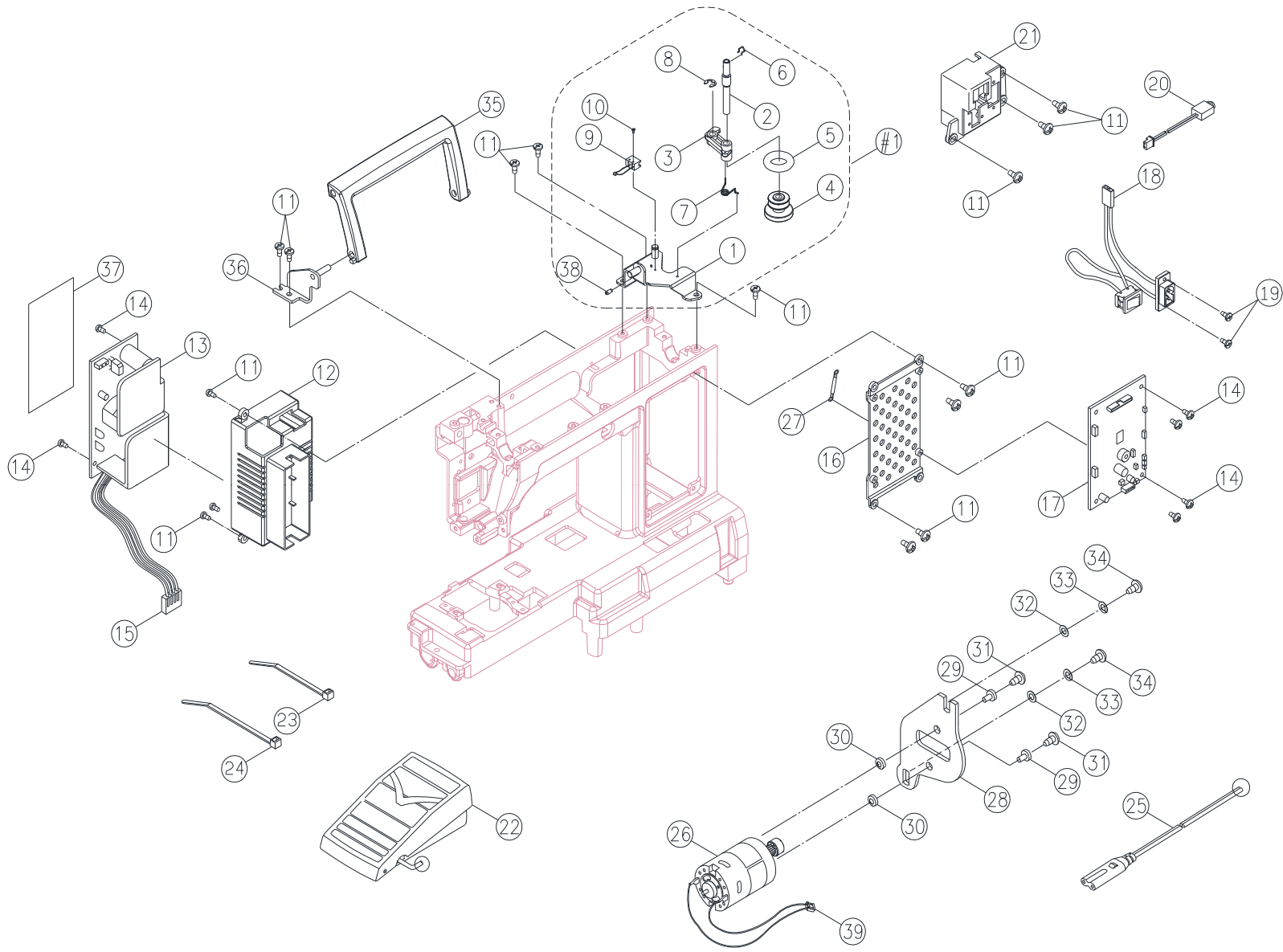


F. LOWER SHAFT, BOBBIN SHAFT

NO.	ITEM NO.	NAME	REMARK
1	004240033	SET SCREW (M4×5)	
2	NB0693000	BOBBIN SHAFT OIL CLOTH	
3	E1A2033000	BOBBIN SHAFT	
4	NB0673000	BOBBIN SHAFT WASHER (2)	
5	004400840	ENDURE ATTRITION WASHER	
6	004240223	SET SCREW (M4×6)	
7	E1A0283000	LOWER SHAFT BUSHING	
8	Q6A0704000	SHUTTLE HOOK HOLDER	
9	NB0683000	BOBBIN SHAFT WASHER (3)	
10	E1A0563582	SHUTTLE HOOK COVER	
11	004230066	SET SCREW (M3×12)	
12	CAA0785000	ROTARY HOOK HOLDER	
13	P3A0493003	ROTARY HOOK HOLDER POSITIONED PLATE	
14	004240056	SET SCREW (M4×6 B)	
15	E1A0543000	ROTARY HOOK SUPPORTER	
16	004240586	SET SCREW (M4×8)	
17	004240106	SET SCREW (M4×8 A)	
18	H1A1503000	FEED ROCK CAM	
19	004240503	SET SCREW (M4×4)	
20	H1A0133000	LOWER SHAFT	
21	P3A0443003	LOWER SHAFT SPRING	
22	P3A0433003	FEED LIFTING ROCK COM PIN	
23	P3A0423000	FEED LIFTING ROCK CAM	
24	003010063	E-RING (ETW-6)	
25	V11553003	LOWER SHAFT COLLAR	
26	004400830	ENDURE ATTRITION WASHER(8.2×12×0.5)	
27	H1A0463000	LOWER SHAFT BELT PULLEY	
28	004250203	SET SCREW (M5×5)	
29	P3A1133000	LOWER SHAFT GEAR	
30	004300936	WASHER (8.2×12×0.5)	
31	H7A0853210	TOOTH LEVER ARM	
32	E1A1873003	SPRING	

NO.	ITEM NO.	NAME	REMARK
33	H12883000	BALL	
34	003010046	E-RING (E-4)	

G. HF TRANSFORMER BOX, DC MOTOR COMPLETE

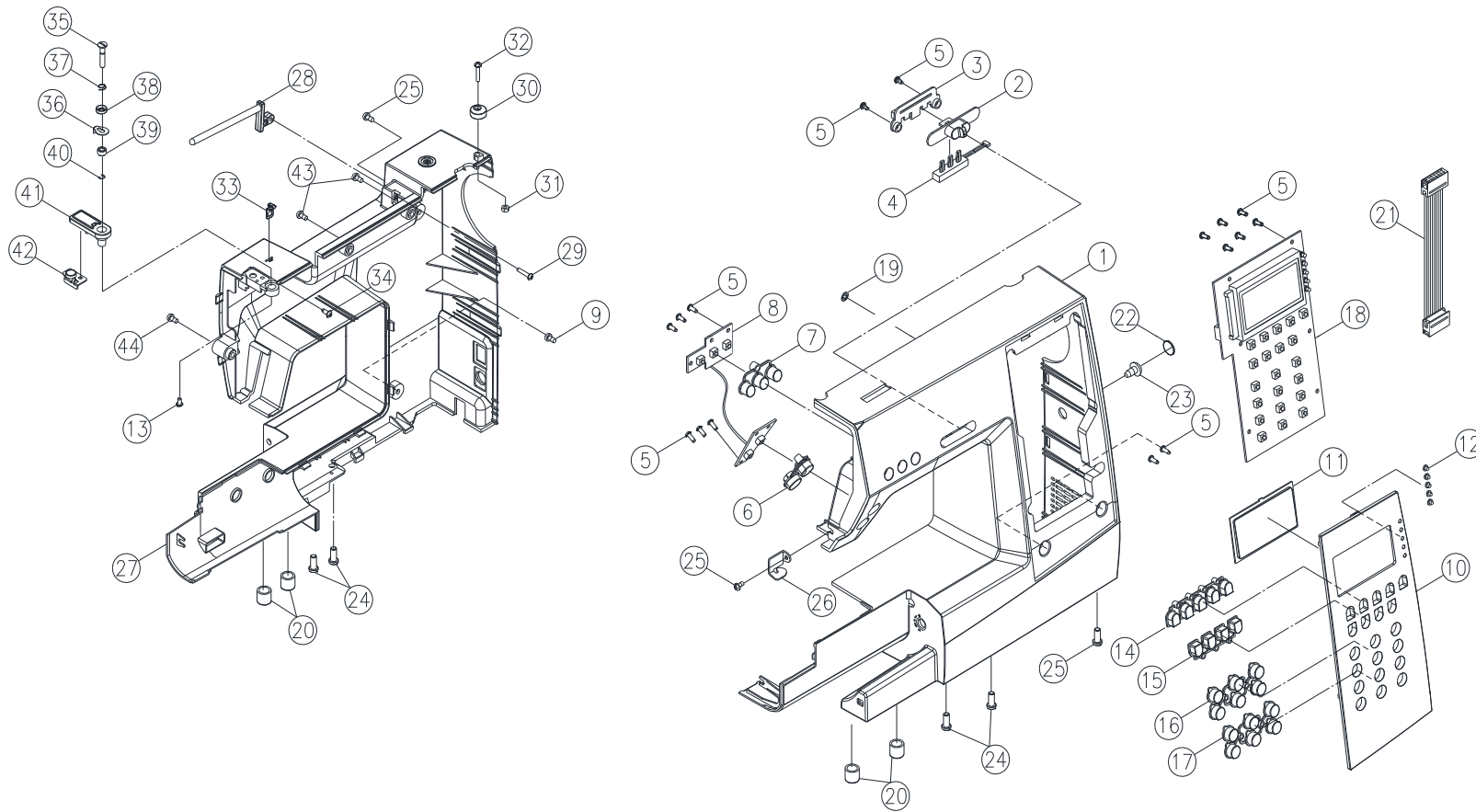


G. HF TRANSFORMER BOX, DC MOTOR COMPLETE

NO.	ITEM NO.	NAME	REMARK
1	H1A0245006	BOBBIN WINDER PLATE	
2	K6B0603001	BOBBIN WINDER CRANK	
3	K6A0563000	BOBBIN WINDER CRANK	
4	D5A0633000	BOBBIN WINDER PULLEY	
5	F20213000	BOBBIN WINDER RUBBER PULLEY	
6	F20193000	BOBBIN WINDER CRANK SPRING	
7	K6A0573003	BOBBIN WINDER CRANK SPRING	
8	003010053	E-RING (ETW-5)	
9	008H7A0010	MICRO SWITCH	
10	004220112	SET SCREW (M2x0.4x7.5)	
11	004240106	SET SCREW (M4x8A)	
12	H1A0533000	HF TRANSFORMER BOX	
13	008CFA4002	HF TRANSFORMER COMPLETE	
14	004230216	SET SCREW (M3x8.5)	
15	008CGA0004	HF TRANSFORMER WIRE	
16	H1A0543209	FRAME OF MAIN CIRCUIT BOARD	
17	008H7A0019	MAIN CIRCUIT BOARD	
18	008H1A0077	SWITCH RECEPTACLE ASSY	
19	004230326	SET SCREW (M3x12B)	
20	008H7A0046	CONTROLLER RECEPTACLE	
21	H1A0513000	RECEPTACLE HOLDER	
22	002H7A0001	FOOT CONTROLLER	
23	002030129	CORD CLIP(L=12)	
24	002549129	CORD CLIP(L=20)	
25	008H7A0063	POWER CORD	
26	001CAA0002	DC MOTOR COMPLETE	
27	008CFA0020	GROUND CONNECTION	
28	H1A0303006	MOTOR BRACKET	
29	P3C0443000	INSULATION SPACER	
30	P3C0453000	INSULATION SPACER	
31	004230536	SET SCREW (M3x10)	
32	004300306	WASHER(5.4x10x0.9)	

NO.	ITEM NO.	NAME	REMARK
33	004600296	SPRING WASHER (5.1x9.2x1.3)	
34	004250086	SET SCREW (M5x12)	
35	H7A0633694	HANDLE	
36	V62033006	ARM TOP COVER PLATE COMPLETE	
37			FOR 230V
38	003043008	SPRING PIN (φ3x8x0.6)	
39	008H1A0080	DC MOTOR COMPLETE WIRE	
#1	H7A0814000	BOBBIN WINDER COMPLETE	

H. FRONT COVER, BACK COVER

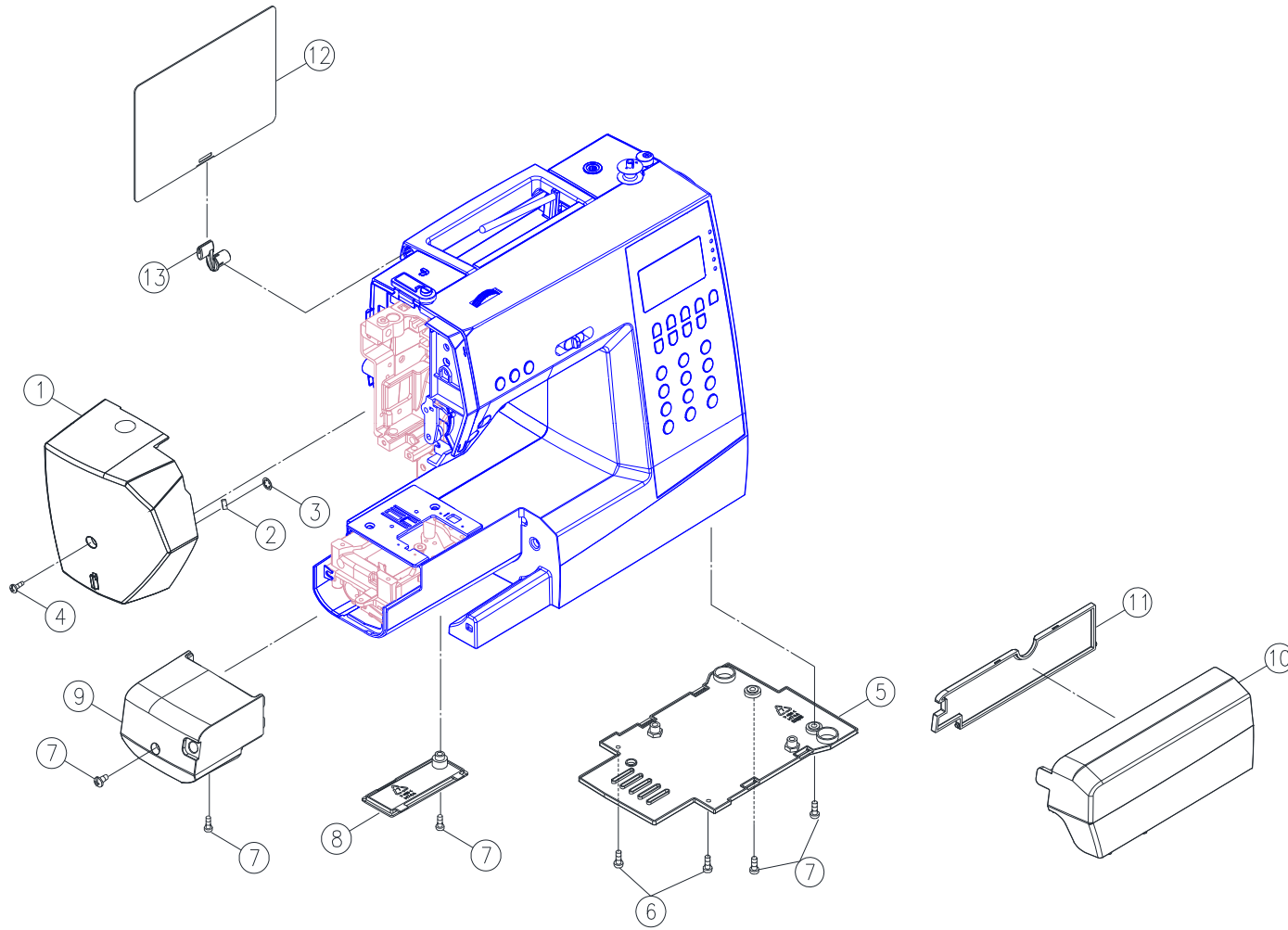


H. FRONT COVER, BACK COVER

NO.	ITEM NO.	NAME	REMARK
1	H7AC543694	FRONT COVER	
2	H7A0573210	SLIDE VOLUME LEVER	
3	H1A1223209	SLIDE VOLUME KNOB CONNECTOR	
4	008H7A0039	SLIDE VOLUME	
5	004230126	SET SCREW (M3×8B)	
6	H7AN023210	START/STOP PUSH BUTTON	
7	H7AN013210	NEEDLE POSITION KNOB/REVERSE BUTTON	
8	008H7A0044	KEY PLATE	
9	004240056	SET SCREW (M4×6B)	
10	H7AP023694	FRONT PLATE	
11	H7A0603031	LCD COVER	
12	D3B4093000	LCD COVER (B)	
13	004230086	SET SCREW (M3×6B)	
14	H7AN033210	STITCH WIDTH/ LENGTH BUTTON	
15	H7AN043210	FUNCTION SELECT KEY	
16	H7AN053210	FUNCTION SELECT KEY (UP)	
17	H7AN063210	FUNCTION SELECT KEY (DOWN)	
18	008H7A0026	LCD KEY PLATE	
19	003020033	CS RING(CS-3)	
20	K6A0063002	FREE ARM BASE CUSHION RUBBER	
21	008H3A0012	ROW LINE	
22	E9R0803694	PLUG	
23	004240586	SET SCREW (M4×8)	
24	004250086	SET SCREW (M5×12)	
25	004240106	SET SCREW (M4×8A)	
26	E1A1883001	ARM TOP COVER THREAD GUIDE PLATE	
27	H7AB103694	BACK COVER (FOR USA)	
28	V610443210	SPOOL ROD	
29	004230646	SET SCREW (M3×16.7B)	
30	K6B0393000	BOBBIN WINDER STOPPER	
31	004706013	NUT (9/64×40 T=3)	
32	004106162	SET SCREW (9/64×40×16 B)	

NO.	ITEM NO.	NAME	REMARK
33	E1A2043001	THREAD GUIDE	
34	004230842	SET SCREW (M3×8)	
35	P3A1503001	BOBBIN WINDER THREAD GUIDE ADJUSTING	
36	P3A1513001	BOBBIN WINDER THREAD GUIDE	
37	P3A1533001	BOBBIN WINDER THREAD GUIDE SPRING	
38	P3A1463001	BOBBIN WINDER SPRING DISC	
39	P3A1523006	SPACER	
40	003010036	E-RING (ETW-3)	
41	P3A1483210	BOBBIN WINDER THREAD GUIDE DISC	
42	V6E0395000	THREAD GUIDE COMPLETE	
43	004240526	SET SCREW (M4×12B)	
44	004240046	SET SCREW (M4×10B)	

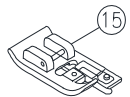
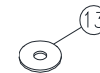
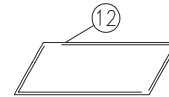
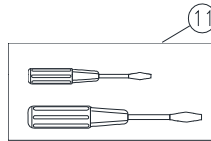
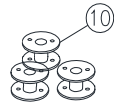
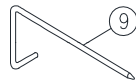
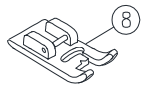
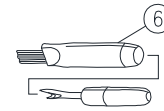
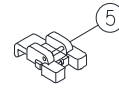
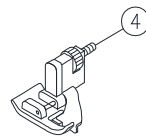
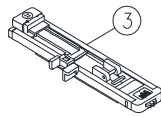
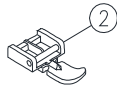
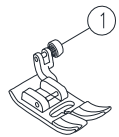
I. FACE PLATE, SEWING TABLE BODY



I. FACE PLATE, SEWING TABLE BODY

NO.	ITEM NO.	NAME	REMARK
1	H7AF203694	FACE PLATE	
2	V630593000	THREAD CUTTER	
3	003020053	CS RING (CS-5)	
4	004241061	SET SCREW (M4×12A)	
5	H7A0703694	CORD REEL COVER	
6	004230216	SET SCREW (M3×8.5)	
7	004240106	SET SCREW (M4×8A)	
8	H7A0653694	FREE ARM BASE	
9	H7A0663694	MOTOR COVER	
10	H7A0673694	SEWING TABLE BODY	
11	H7A0683694	SEWING TABLE BODY COVER	
12	H7AP013210	PATTERN PLATE	
13	P3C0593000	PATTERN CLIP	

STANDARD ACCESSORIES



J. ACCESSORIES

STANDARD ACCESSORIES			
NO.	ITEM NO.	NAME	REMARK
1	006186008	ALL PURPOSE FOOT	
2	006905008	ZIPPER FOOT (I)	
3	006H1A0004	BUTTONHOLE FOOT	
4	006904008	BLIND HEM FOOT (F)	
5	006914008	BUTTON SEW ON FOOT	
6	006099008	BRUSH & SEAM RIPPER COMPLETE	
7	H1D0083210	SPOOL HOLDER (LARGE)	
8	006172008	SATIN STITCH FOOT (A)	
9	006008001	SEAM GUIDE	
10	006084009	BOBBIN	
11	006012008	LARGE & SMALL SCREW DRIVE	
12	006014148	NEEDLE (3 PCS FOR 1 PACK)	
13	006015009	FELT CUSHION	
14	H1D0073210	AUXILIARY SPOOL PIN	
15	006907008	OVERCASTTING FOOT (E)	

NOTE: WHEN YOU ORDER ANY SPARE PARTS FROM US,
PLEASE COOPERATE WITH US BY WRITING.

- (1) SECTION & SEQUENCE NO.
- (2) NAME OF PARTS
- (3) VOLTAGE, IF NECESSARY
- (4) OTHERS, IF ANY