

BERNINA Q 16 PLUS



BERNINA Q 16 PLUS LONGARM QUILTING MACHINE

BIG QUALITY. BIG VALUE.



made to create **BERNINA**

BERNINA Q 16 PLUS

The longarm quilting machine on a frame made for your space.

Are you still struggling to squeeze a large quilt through the small throat of your domestic machine while dreaming of your own longarm quilting machine on a frame? We have the perfect solution. Meet the BERNINA Q 16 PLUS. It's the longarm machine made for quilters who need more quilting space. It has more throat space than your domestic, a spacious 16 inches. Pair it with a 5 ft or 10 ft modular frame and the Q 16 PLUS meets and exceeds all your small space, big quilting needs.

BERNINA has developed domestic sewing machines for over 125 years. Our longarm machines, including the Q 16 PLUS, benefit greatly from our wealth of experience with innovative, proven technologies. We've worked hard to make sure the learning curve is a smooth, easy process for our customers with no roadblocks along their BERNINA longarm journey. Leaving you to fully enjoy your creative process.

Nothing else matters more.

- BERNINA QUALITY AT A GREAT VALUE
- SPACIOUS 16" WORKSPACE
- BUILT-IN BERNINA STITCH REGULATOR FOR PERFECT STITCHES
- 5 ft OR 10 ft MODULAR FRAME
- TABLE, CABINET, OR FRAME OPTIONS AVAILABLE





“THE PERFECT MATCH FOR LONGARM LOVERS LIKE ME.”

AMANDA MURPHY, QUILT AND PATTERN DESIGNER

Amanda Murphy has a passion for designing and creating quilts on her BERNINA Q 16 PLUS. While her studio is small, the roomy quilting space of the Q 16 PLUS adds convenience and ease to her creative process. Like Amanda, you'll love the fast 2,200 stitches per minute as well as the three modes of the BERNINA Stitch Regulator.

Unique user interface

Machine settings and functions are controlled using an intuitive touch screen navigation system with integrated tutorials and help functionalities.

Integrated bobbin winder

The on-board bobbin winder makes it convenient to wind bobbin threads even while quilting.

Fully operated from front

Dual handwheels (front and back) for easy manual needle positioning.

Multi-functional, programmable, ergonomic handles

The 8-way, fully adjustable handles place the most frequently used functions at your fingertips (handles come with frame).

Needle Threader

The needle threader helps threading the needle with ease.

BERNINA Stitch Regulation

Master freehand quilting quickly with the assistance of the integrated BERNINA Stitch Regulator (BSR).

Speed

With high-speed precision stitching for freehand quilting, you complete more quilts faster than ever.

Simple oiling

One point only.



BERNINA Innovation

Designed and engineered in Switzerland.



LED lighting

Bright LED lights along the length of the machine and above the needle illuminate the quilt for enhanced visibility.

16 inches of throat space

The 16" platform offers generous quilting space and great comfort. The perfect choice for home or studio.

Quiet quilting

Quiet gear mesh design and internal motor. High-speed sealer bearings require no oil maintenance.

BERNINA
SWISS ENGINEERING

BERNINA Q 16 PLUS KEY FEATURES

All you need to know about smart quilting.

BERNINA STITCH REGULATOR

The Q 16 PLUS is equipped with the BERNINA Stitch Regulator which makes freehand quilting easier than ever. It keeps stitches even and consistent regardless of how slow or fast you quilt and no matter how complex your quilt design may be. The two sensors of the internal, integrated BERNINA Stitch Regulator—one on each side of the stitch hole in the needle plate—allow for very precise sensing of the fabric movement. This is the first system with no mechanical encoders. The two sensors detect every fabric movement and regulate the stitches from 1 to 24 stitches per inch accordingly.

The Stitch Regulator has three different modes: In the first mode the needle continues to move even if you stop. This is especially useful when sewing corners. In the second mode the needle stops when you stop, so no knot is created on the backside, which is especially useful when quilting with rulers. The third mode is a basting stitch, where you can choose between 1, 2 or 4 stitches per inch. The whole quilt can be basted without safety pins.

The BERNINA Stitch Regulator is simple to activate and customizable using the machine's touch screen. A manual mode with no stitch regulation is also available.

DIGITAL THREAD TENSION ADJUSTMENT

Electronically adjustable and numeric. Easily adjust thread tension and track settings for your favorite thread types and combinations—no external tension assembly required.

NO TOOLS REQUIRED FOR FOOT INSTALLATION/REMOVAL

It's never been easier to be as creative as you want to be with BERNINA feet that utilize tool-less installation and removal. It's easy and convenient to swap out feet to match the quilting technique you need to complete your design.

NEEDLE THREADER

No more struggles threading the needle. Let your BERNINA Q 16 PLUS take care of that for you. Simple, easy, done!

DOMESTIC AND TWIN NEEDLE COMPATIBLE

No need for special needles that only work on one machine. Add convenience to the list of benefits as you utilize needles you already use on your domestic sewing machine. Also, you can use a twin needle and the Twin Needle Stitch Plate to achieve beautiful ribbonlike effects. Or experiment with two colors or shades of thread to produce 3D effects.

USER INTERFACE

BERNINA brings the best of the domestic machine world to longarm machines with a simple-to-navigate color touch screen. Totally customizable, it includes useful functions, such as five user profiles, a stitch counter and built-in tutorials that assist with threading the machine, oiling, winding the bobbin and other processes.

INTEGRATED BOBBIN WINDER

The on-board bobbin winder (M Class bobbin) conveniently winds coordinating bobbin threads for projects. The integrated, separately-running bobbin winder is just one of the many details that make this machine unique.

THREADING PATH

The front-positioned spool holders and forward threading path are easy to reach and simple to follow.

For more information visit bernina.com/longarm



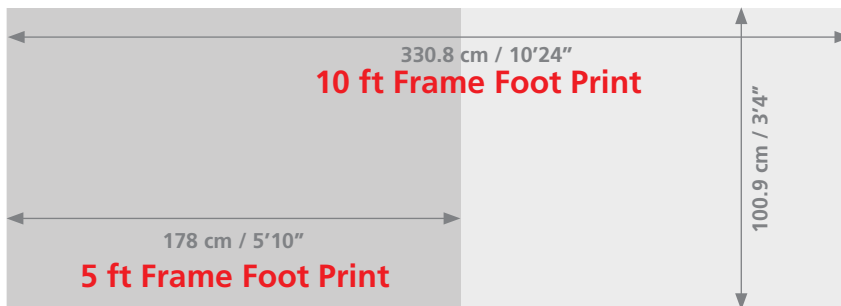


SMALL SPACES. **BIG IDEAS.**

NO SPACE? NO PROBLEM.

BERNINA Studio Frame

Sometimes your quilting dreams are bigger than your space. The BERNINA Studio Frame is a modular frame and can be mounted as small as 5 ft or to its full size of 10 ft. It is spacious enough for your biggest projects and sturdy enough to handle all the performance features of the Q 16 PLUS Longarm. Like we said, perfect.



- Modular frame can be set up as 5 ft or 10 ft
- Height adjustable 36" – 44"
- Quilt up to 104" size quilts
- Fast and easy set-up
- Many optional accessories available
- Upgradable any time with Q-matic automation



THE EXTRAS THAT MAKE THINGS EASIER, FASTER, PRETTIER.

Optional frame accessories



Pantograph Kit

- Pantograph Handles (attach to the back of the machine)
- Rear Touch Screen
- Laser Light
- Holder for Laser Light
- Paper Pantograph
- Transparent Cover



Rulerwork Kit

- Ruler Foot #96
- Ruler Base
- Ruler

Other Accessories

- Q-matic Kit (automation)*
- Casters
- Batting Rail Holder



Channel Lock

Use the Channel Locks for locking the X and Y-axis of your machine and carriage.

**Q-matic is only available in selected markets.*

Optional machine accessories

Compatible with BERNINA Free-Motion Feet

- Embroidery Foot #15
- Free-Motion Embroidery Foot #24
- Drop-Shaped Embroidery Foot #26
- Quilting Foot #29
- Free-Motion Couching Foot #43
- Echo-Quilting and CutWork Foot #44C
- Ruler Foot #96
- Adjustable Ruler Foot #72
- Adjustable Ruler Foot with Slit #72S
- Adjustable Stippling Foot #73
- Adjustable Gliding Cup Foot #74

BERNINA Presser Feet Accessories

- Echo-Quilting Clips
- Cup Clip
- Couching Inserts

Other Accessories

- Palm Precision Handles
- Needle Point Laser

Twin Needle Stitch Plate

Use a twin needle and the Twin Needle Stitch Plate to achieve beautiful ribbonlike effects. Experiment with two colors or shades of thread to produce 3D effects.

For a full list of longarm accessories visit bernina.com

WHY BERNINA?

Simple. We offer over 125 years of renowned quality and innovative technology that produce perfect stitches every time. BERNINA is a company that treats you like family and offers exclusive features engineered to make quilting easier, faster, more convenient and more creative. If you want the best of the best from the longarm people who aren't going anywhere and who support their quilters at every turn, then you want a BERNINA.

We know quilters. That's why we've developed all the features you expect—and even some more that exceed your wildest dreams. These BERNINA innovations make your quilting life markedly better.

LOOKING FOR A SIT-DOWN MACHINE?

We have it. Not sure whether you want a sit-down machine or a frame machine with pantograph and automation possibilities? Choose a BERNINA Q 16 PLUS and one of our wonderful table or cabinet options and upgrade to a frame any time.



Q 16 PLUS FEATURES OVERVIEW.

TECHNICAL DATA	Q 16 PLUS
Throat space	16.5 inch (42 cm)
Color touch screen	4.3" (109 mm)
Full length freearm illumination	Yes, 50 LEDs
Hook System	M Class Rotary Hook
Needle Threader	Yes
Thread tension	Numerically/digitally-adjustable
Presser foot lift	Electronic
Upper thread break sensor	Yes
BERNINA Stitch Regulator	Dual Stitch Regulator
Software updateable	Yes

TECHNICAL DATA	Q 16 PLUS
Sewing speed maximum	2,200 smp
Stitch length minimum	1.05 mm (24 spi*)
Stitch length maximum	25.4 mm (1 spi*)
User profiles	5
Bobbin thread indicator	Yes
On-board bobbin winder	Yes
Compatible with domestic machine needles	Yes
Compatible with BERNINA free-motion presser feet	Yes

*Stitches per inch

STANDARD ACCESSORIES	Q 16 PLUS
Standard presser foot	Free-Motion Foot #9
Dual spool holder	Yes
Bobbin Tension Gauge	Yes
Quilting Thread Set	Yes
Metal accessory box	Yes
Thread lubricating unit	Yes
Manual threader	Yes
BERNINA foot control	Yes (use with table model only)
Microfiber cleaning cloth	Yes
Screwdrivers for frame assembly	Yes
Screwdriver to change the needle	Yes
Screwdriver to adjust bobbin thread tension	Yes
Needles 130/705 H PRO 100	5
Seam ripper	Yes
Spool stabilizers	2
Bobbins filled with bobbin thread	6
Thread discs	2
Thread nets	2
Brush to clean hook and hook area	Yes

MAKE YOUR QUILTING DREAMS COME TRUE.

When it comes to a BERNINA Q Series Longarm Quilting Machine, seeing isn't believing. Trying is. Visit a BERNINA store today and become the longarm quilter you've always wanted to be.

Find your BERNINA store at bernina.com



We reserve the right to make changes to machine features, equipment and design. Additional information available at your local BERNINA store.

BERNINA recommends threads from

