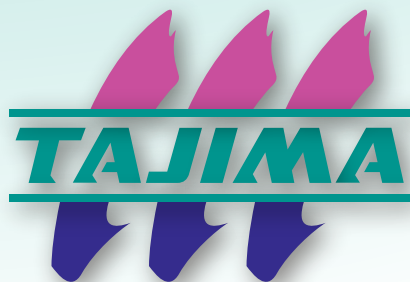


***PARTS LIST***

---

***MDP-SC***



# Table of Contents

---

● GENERAL VIEW	
● FRAMING.....	F1-1
● MAIN SHAFT DRIVE SYSTEM.....	F1-2
● CYLINDER BED 1.....	F1-3-1
● CYLINDER BED 2.....	F1-3-2
● COLOR CHANGE SYSTEM.....	F1-4
● ARM 1.....	F1-5-1
● ARM 2.....	F1-5-2
● ARM 3.....	F1-5-3
● NEEDLE BAR CASE 1.....	F1-6-1
● NEEDLE BAR CASE 2.....	F1-6-2
● X-AXIS DRIVE SYSTEM.....	F1-7
● Y-AXIS DRIVE SYSTEM.....	F1-8
● TENSION BASE.....	F1-9
● THREAD STAND.....	F1-10
● TUBULAR GOODS FRAME.....	F1-11
● OPERATION PANEL.....	F1-12
● ELECTRICAL PARTS.....	F1-13

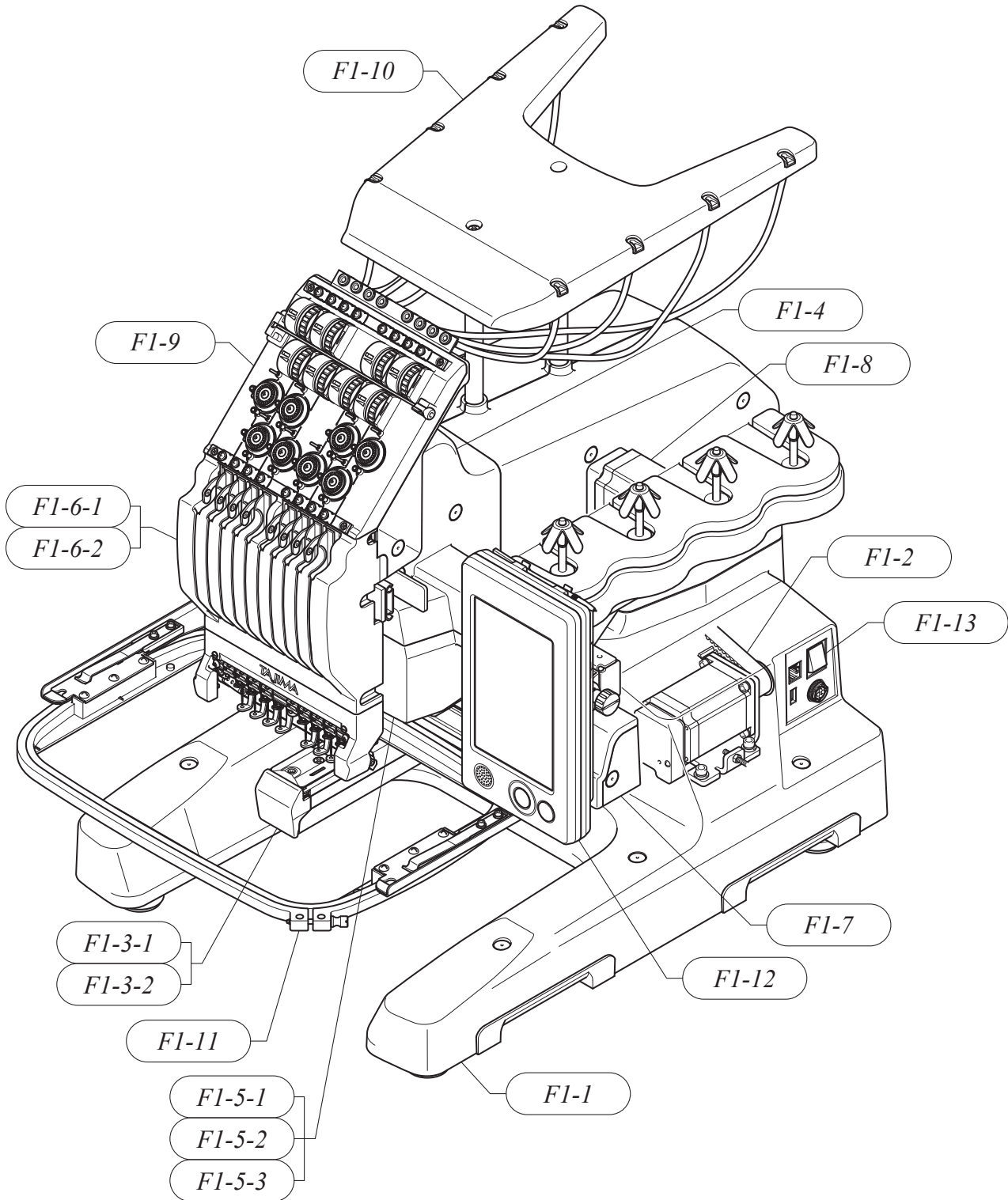
Part Nos. of screws, nuts, washers etc. are listed at the end of volume.

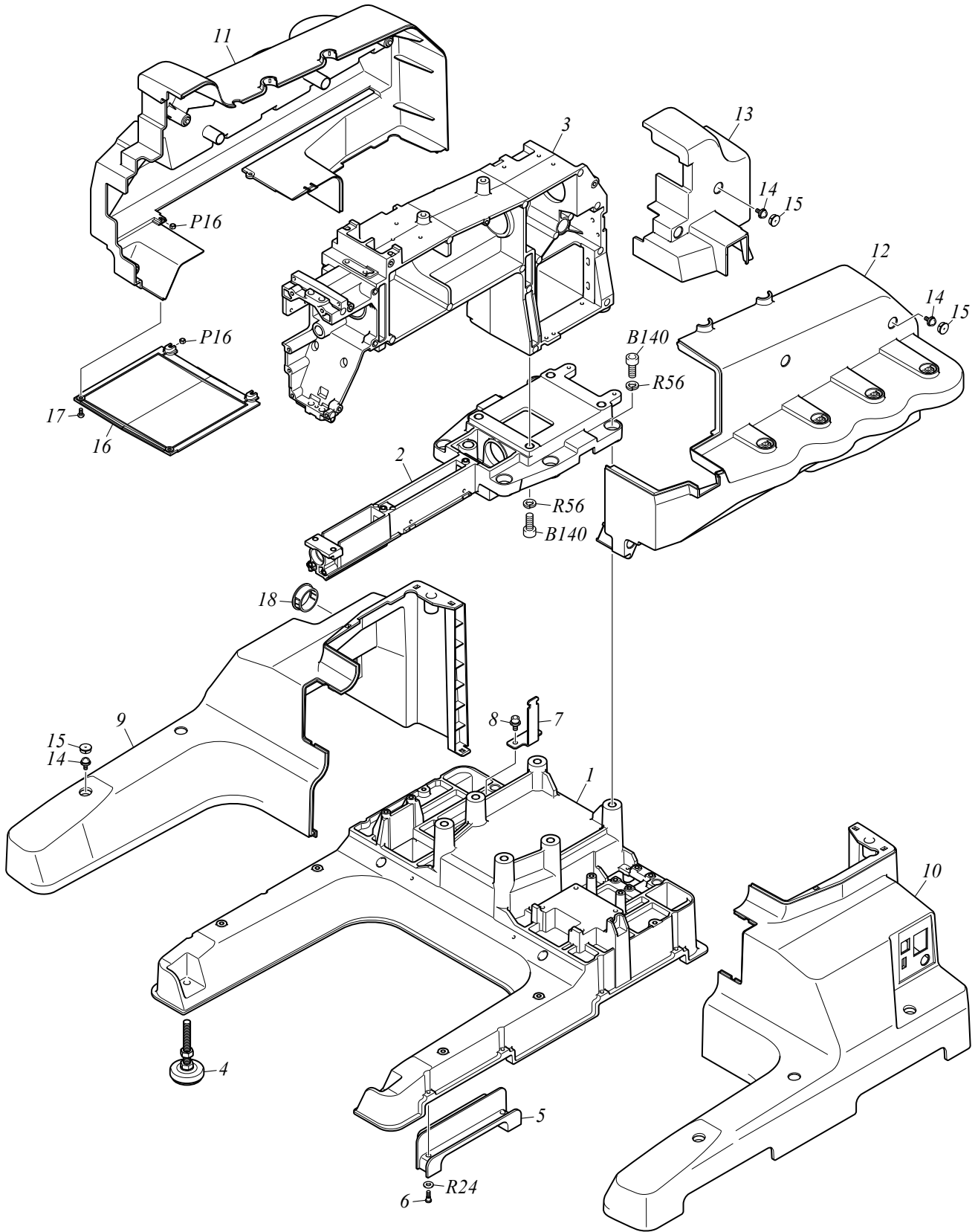
\*Regarding the part number that contains description of @, the part differs depending on model, spec. etc.

\*When you place an order of such a part, please also inform us of your model, embroidery space and manufacturing number of the machine.

<b>Ex.</b>	MDP-S0801C	200 x 300S	No.F1001234
	[Model]	[Emb. Space]	[Mfg. No.]

GENERAL VIEW





# FRAMING

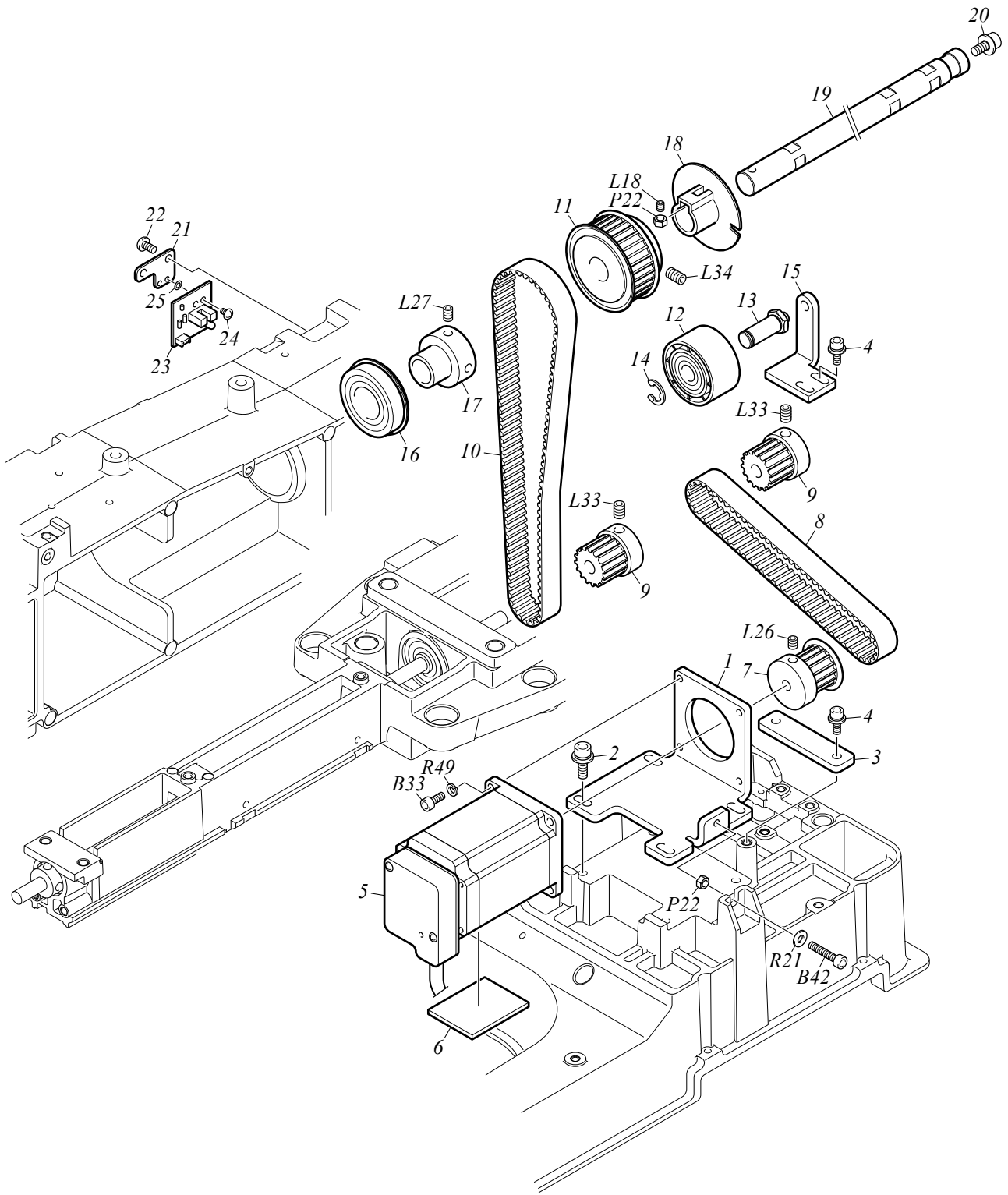
F1-1

No.	Part Name	Part No.	Remark
1	BASE	0N33M0010000	
2	CYLINDER BED	0N3350010000	
3	ARM	0N3370040010	
4	ADJUSTER :55MM DIA.	0N33M0060000	
5	RUBBER :HANDLE	0N33M0020000	
6	STEPPED SCREW :NO.1 :M4*12	0N3380380000	
7	STAY :X MOTOR HARNESS	0N33E0310000	
8	CAP SCREW WITH WASHER :M5*12	0N33P025C000	
9	BOTTOM COVER :L	0N3390050000	
10	BOTTOM COVER :R	0N3390060000	
11	TOP COVER :L	0N3390030000	
12	TOP COVER :R	0N3390040010	
13	TOP SIDE COVER	0N3390100010	
14	PAN HEAD SCREW WITH WASHER :M4*12	0N33P026C000	
15	CAP :COVER :COOL GRAY 2C	0N3390130000	
16	TOP COVER :BOTTOM	0N3390140000	
17	PAN HEAD SCREW :M3*8 (+-)	0N33P0108000	
18	BUSHING :HARNESS :SB-30	0N33G1070000	
19			
20			
21			
22			
23			
24			
25			
26			
27			
28			
29			
30			
31			
32			
33			
34			
35			
36			
37			
38			
39			
40			
41			
42			
43			
44			
45			
46			
47			
48			
49			
50			

Note: As for parts with mark @, please follow our instructions on Table of Contents in your parts order.

(U011)

MAIN SHAFT DRIVE SYSTEM



# MAIN SHAFT DRIVE SYSTEM

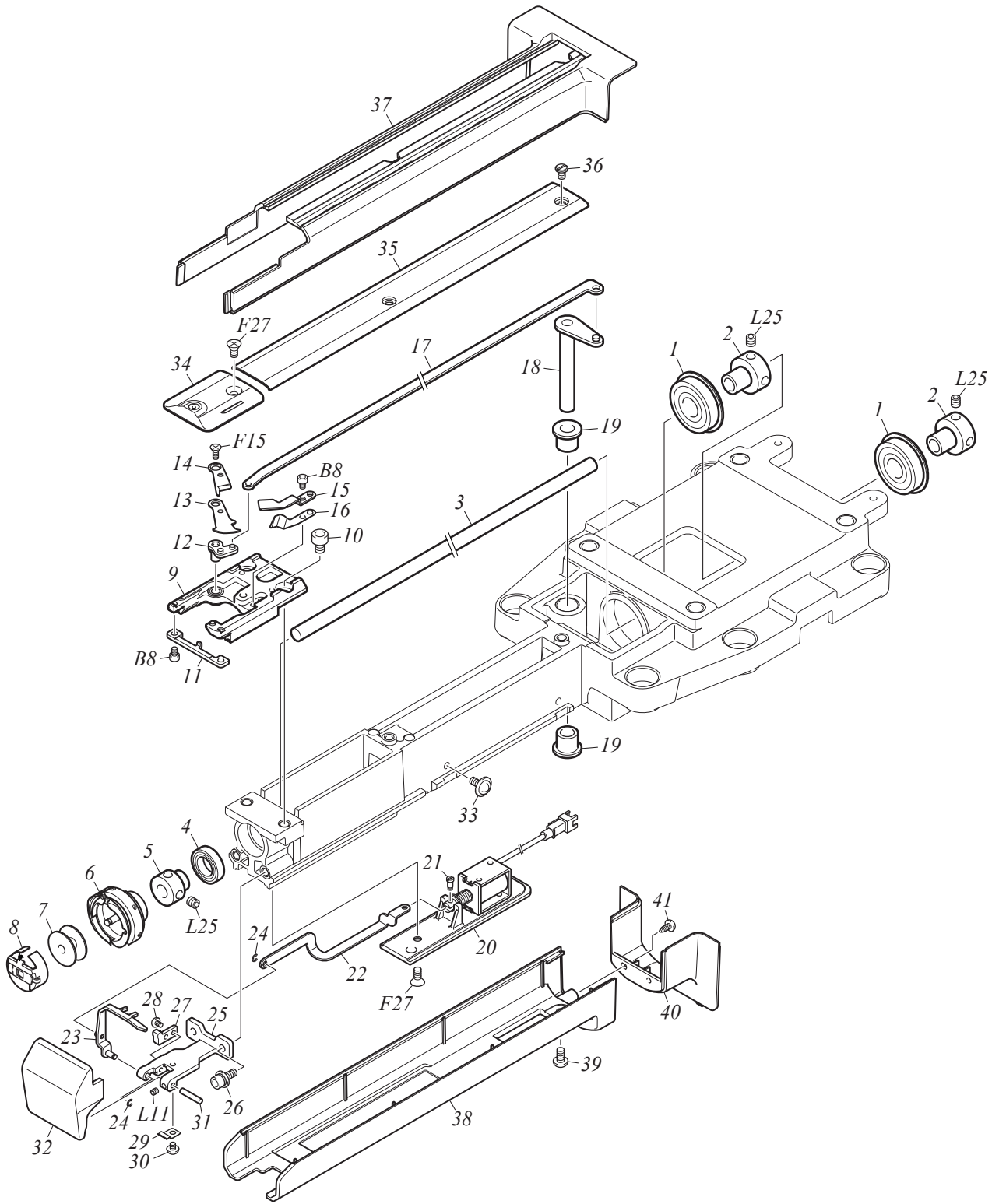
F1-2

No.	Part Name	Part No.	Remark
1	BRACKET :MAIN SHAFT MOTOR	0N3370070000	
2	CAP SCREW WITH WASHER :M5*16	0N33P025G000	
3	GUIDE :MAIN MOTOR BASE	0N3370080000	
4	CAP SCREW WITH WASHER :M4*12	0N33P023C000	
5	PULSE MOTOR :56MM SQUARE 70L :WITH SENSOR[A]	0N33G0050A00	
6	HEAT DISSIPATION SHEET :35*45*T3	0N3370830000	
7	TIMING PULLEY :W15-16[S]	0N3370090S00	
8	TIMING BELT :150 S5M 340 GB	0N33Y0010000	
9	TIMING PULLEY :W15-16[S]	0N3350040S00	
10	TIMING BELT :150 S5M 525 GB	0N33Y0020000	
11	TIMING PULLEY :W15-32[S]	0N3370160S00	
12	FLAT PULLEY :40MM DIA.[S]	0N3370140S00	
13	SCREW WITH ROLLER PIN :NO.3 :M6	0N3370150000	
14	E-RING :7MM DIA.	0N33Y0197000	
15	TENSION BASE :MAIN SHAFT BELT	0N3370130000	
16	BEARING :6004ZZNR	0N33Y0150000	
17	BEARING COLLAR :14.72MM DIA.	0N3370050000	
18	SENSOR PLATE :NO.2	0N3370200000	
19	UPPER SHAFT	0N3370190000	
20	CAP SCREW WITH WASHER :M5*12	0N33P025C000	
21	BASE :CARD	0N3370210000	
22	BIND HEAD SCREW :M4*8	0N33P0158000	
23	CARD :PHOTO-INTERRUPTER	0N33G0420000	
24	BIND HEAD SCREW :M3*4	0N33P0144000	
25	COLLAR :3.1*5.4*T0.13	0N3370860000	
26			
27			
28			
29			
30			
31			
32			
33			
34			
35			
36			
37			
38			
39			
40			
41			
42			
43			
44			
45			
46			
47			
48			
49			
50			

Note: As for parts with mark @, please follow our instructions on Table of Contents in your parts order.

(U011)

CYLINDER BED 1





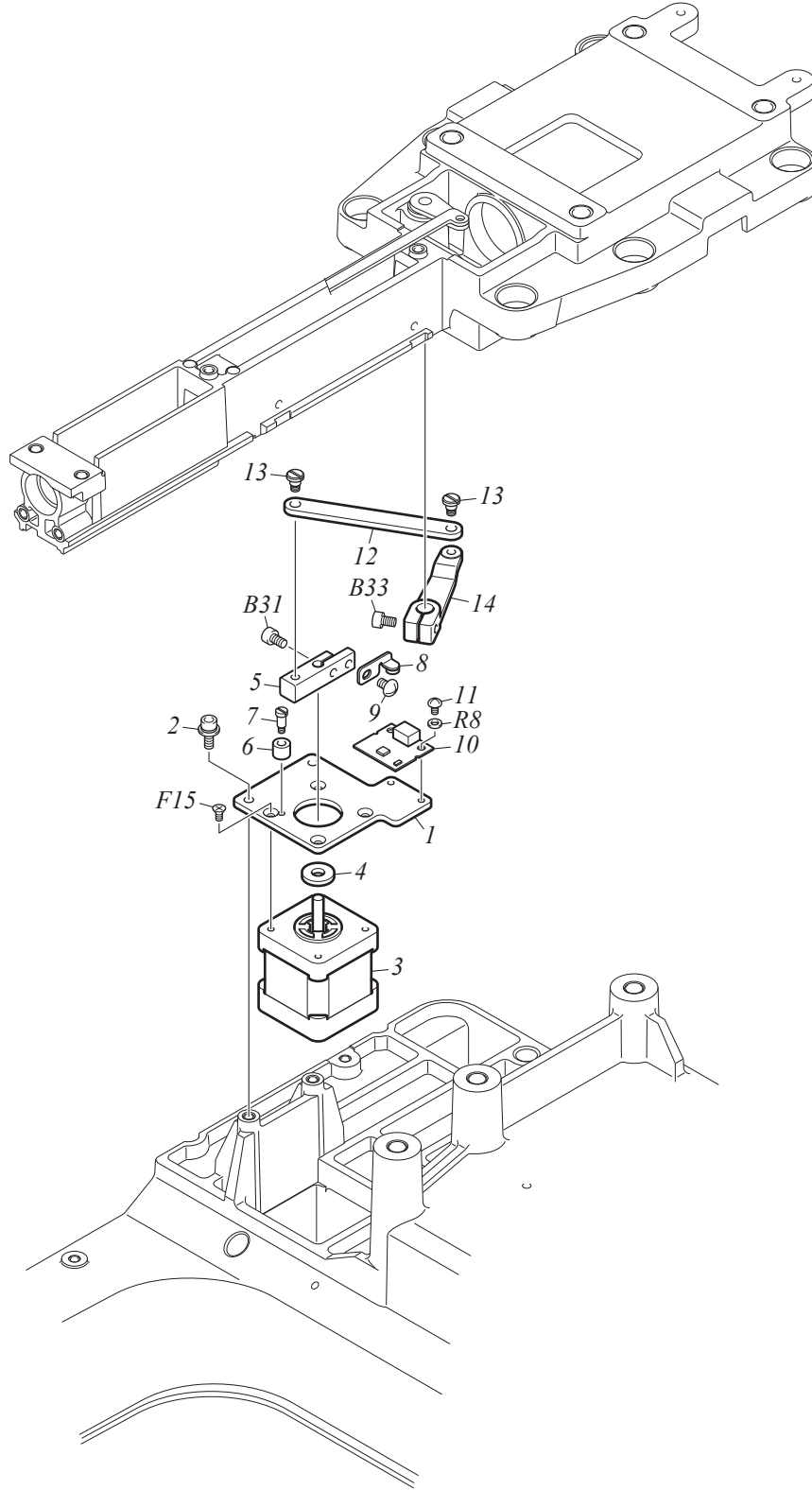
# CYLINDER BED 1

F1-3-1

No.	Part Name	Part No.	Remark
1	BEARING :6201ZZNR	0N33Y0170000	
2	BEARING COLLAR :7.94MM DIA.	0N3350030000	
3	HOOK :SHAFT	0N3350060000	
4	BEARING :6801ZZ	0N33Y0160000	
5	BEARING COLLAR :7.94MM DIA.	0N3350020000	
6	ROTARY HOOK :REGULAR ROTARY HOOK 13013-201	0N3350250000	
7	BOBBIN :REGULAR ROTARY HOOK	0N3350270000	
8	BOBBIN CASE :REGULAR ROTARY HOOK :STANDARD	0N3350260000	
9	NEEDLE PLATE BRACKET[S]	0N3350080S10	
10	HEXAGON SOCKET HEAD CAP SCREW :M5*6	0N33P0056000	
11	ROTARY HOOK SUPPORT	0N3350240000	
12	LEVER SHAFT :KNIFE[A]	0N33D0120A00	
13	THREAD SEPARATING :DIRECT MOVEMENT	0N33D0180000	
14	MOVABLE KNIFE :DIRECT MOVEMENT	0N33D0170010	
15	FIXED KNIFE :DIRECT MOVEMENT	0N33D0200000	
16	UNDER THREAD PRESSER	0N33D0190000	
17	CONNECTING PLATE :KNIFE	0N33D0110000	
18	LEVER :KNIFE CONNECTING PLATE[S]	0N33D0070S00	
19	OIL-BUSHING :NO.2 :8MM DIA.	0N3370060000	
20	SOLENOID :PICKER[A]	0N3350280A00	
21	STEPPED SCREW :NO.1 :M2.5*6	0N3350120000	
22	CONNECTING PLATE :PICKER	0N3350150000	
23	PICKER[S]	0N3350160S00	
24	E-RING :2MM DIA.	0N33Y0192000	
25	HOLDER :PICKER	0N3350230000	
26	CAP SCREW WITH WASHER :M4*12	0N33P023C000	
27	STOPPER :PICKER	0N3350200000	
28	PAN HEAD SCREW :M2.5*4	0N33P0084000	
29	PLATE SPRING :ROTARY HOOK COVER :T0.3	0N3350210000	
30	BIND HEAD SCREW :M3*3	0N33P0143000	
31	STRAIGHT PIN :NO.1 :3MM DIA.	0N3350220000	
32	ROTARY HOOK COVER	0N3390020000	
33	PAN HEAD FLANGE SCREW :M4*10	0N33P013A000	
34	NEEDLE PLATE :2MM DIA.	0N3350070000	
35	COVER :CYLINDER :FRONT	0N3390010000	
36	FLAT FILLISTER HEAD SCREW :M4*5.5 (6*1.5)	0N3370880000	
37	COVER :CYLINDER BED :TOP	0N3390090000	
38	COVER :CYLINDER BED :BOTTOM	0N3390070000	
39	BIND HEAD SCREW :M4*8	0N33P0158000	
40	COVER :CYLINDER BED :BASE	0N3390080000	
41	TRUSS HEAD TAPPING SCREW :3P*6	S530030601SD	
42			
43			
44			
45			
46			
47			
48			
49			
50			

Note: As for parts with mark @, please follow our instructions on Table of Contents in your parts order.

(U011)



# CYLINDER BED 2

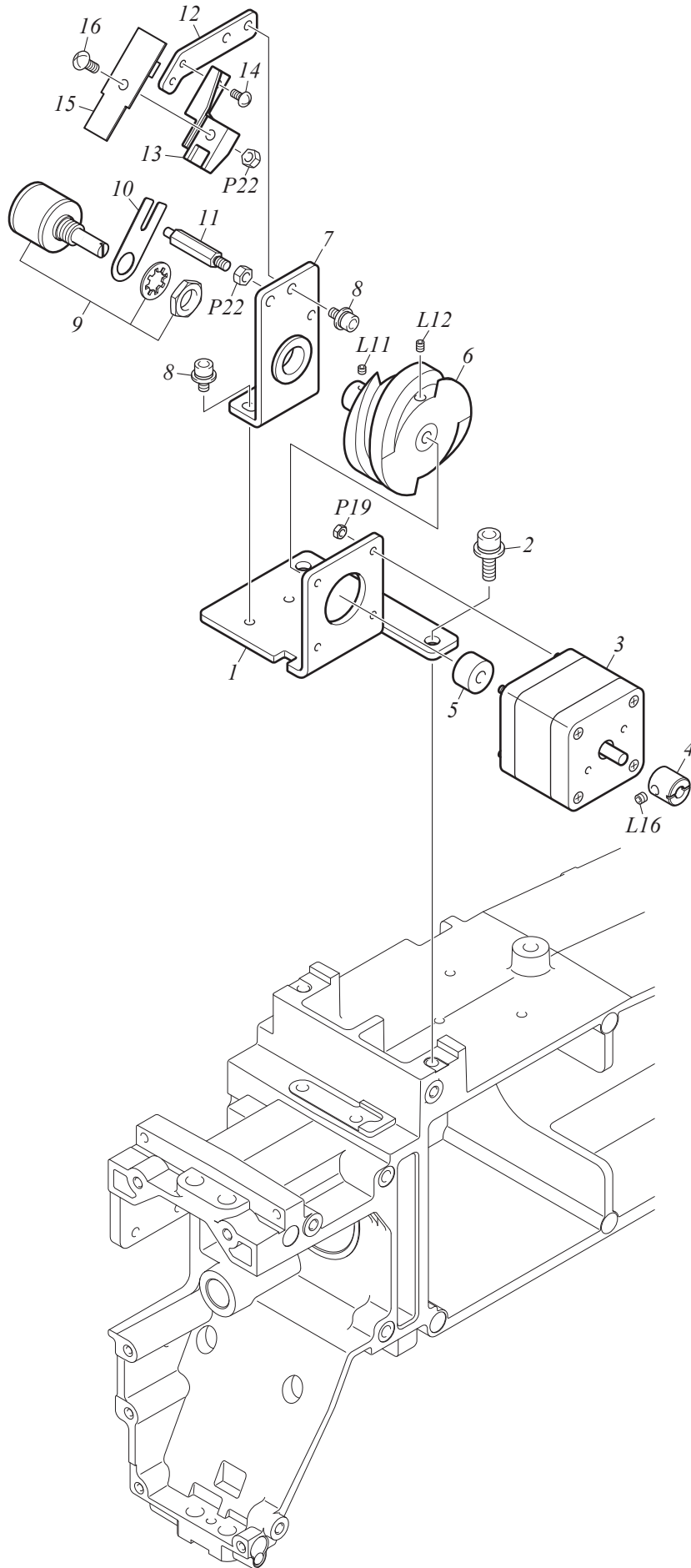
F1-3-2

No.	Part Name	Part No.	Remark
1	BRACKET :ATH MOTOR	0N33D0010000	
2	CAP SCREW WITH WASHER :M4*12	0N33P023C000	
3	PULSE MOTOR :42MM SQUARE :DOUBLE-END	0N33G0020000	
4	PLASTIC WASHER :6*15*T2.5	0N33D0020000	
5	LEVER :ATH	0N33D0030000	
6	DAMPER RING :4MM DIA.	0N33D0220000	
7	STEPPED SCREW :NO.1 :M3*10	0N33D0230000	
8	SENSOR PLATE :NO.1[S]	0N33D0210S00	
9	TRUSS HEAD SCREW :M4*6 (+-)	0N33P0046000	
10	CARD :MAGNETIC SENSOR A	0N33G0460000	
11	BIND HEAD SCREW :M3*5	0N33P0145000	
12	CONNECTING PLATE :5MM DIA. P75 T3.2	0N33D0040000	
13	STEPPED SCREW :NO.1 :M4*6.9	0N33D0050000	
14	LEVER :KNIFE CONNECTING PLATE SHAFT	0N33D0060000	
15			
16			
17			
18			
19			
20			
21			
22			
23			
24			
25			
26			
27			
28			
29			
30			
31			
32			
33			
34			
35			
36			
37			
38			
39			
40			
41			
42			
43			
44			
45			
46			
47			
48			
49			
50			

Note: As for parts with mark @, please follow our instructions on Table of Contents in your parts order.

(U011)

COLOR CHANGE SYSTEM



# COLOR CHANGE SYSTEM

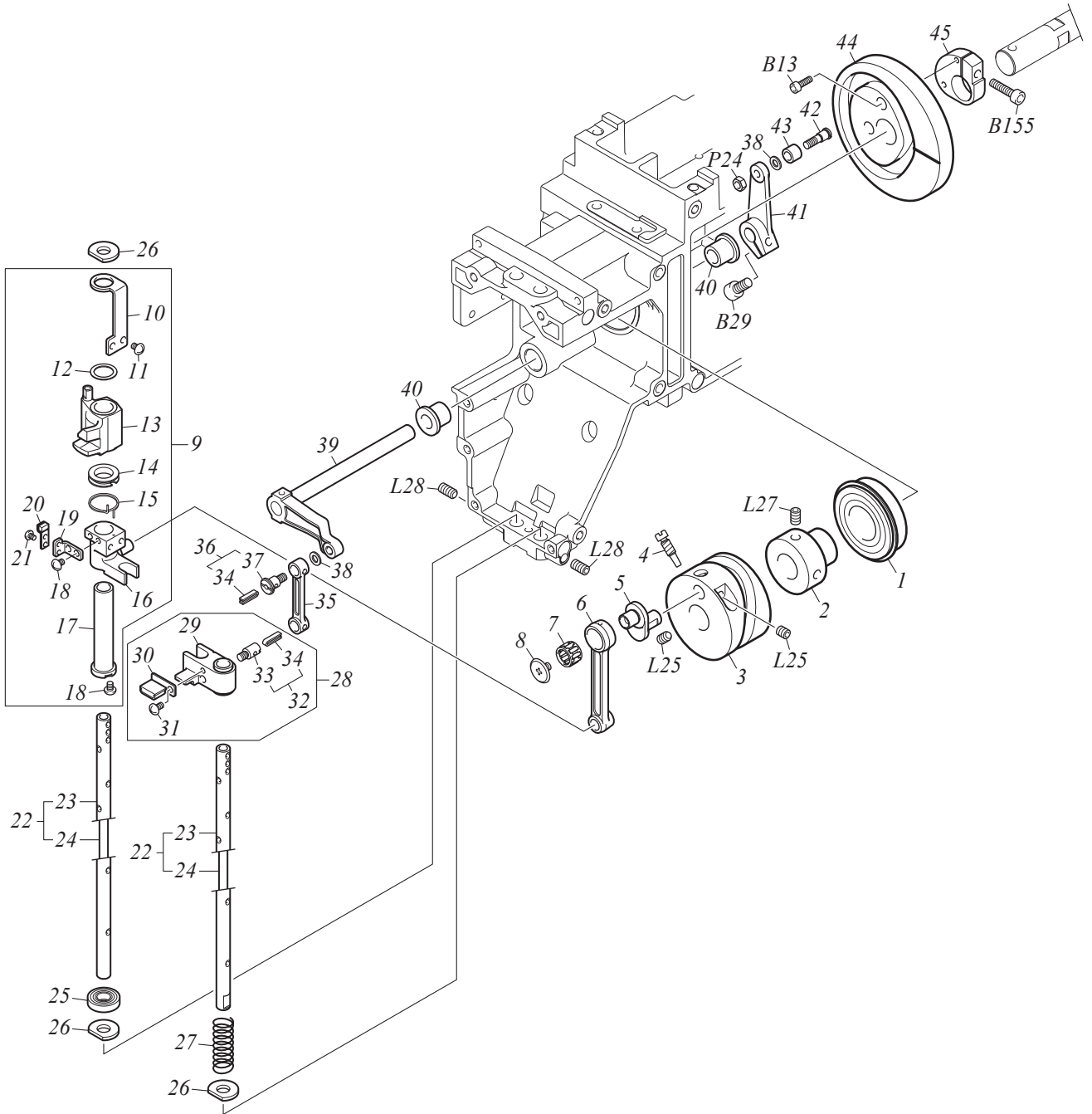
F1-4

No.	Part Name	Part No.	Remark
1	BASE :CHANGE MOTOR	0N3360020000	
2	CAP SCREW WITH WASHER :M5*16	0N33P025G000	
3	PULSE MOTOR :42MM SQUARE[T]	0N33G0010T00	
4	COLLAR :5MM DIA.	0N3360110000	
5	COLLAR :NO.1 :5.1MM DIA.	0N3370680000	
6	CAM :CHANGE[S]	0N3360070S00	
7	BEARING CASE :CHANGE CAM[S]	0N3360030S00	
8	CAP SCREW WITH WASHER :M4*8 (W8P*T0.8)	0N33P0240010	
9	POTENTIOMETER	0N33G0430000	
10	BRACKET :POTENTIOMETER	0N3360060000	
11	STUD :NO.4 :M4-27.5	0N3360040000	
12	SENSOR ARM	0N3360090000	
13	BASE :CARD	0N3360100010	
14	TRUSS HEAD SCREW :M3*6	0N33P0026000	
15	CARD :TC SENSOR :MAGNETIC TYPE	0N33G0410000	
16	BIND HEAD SCREW :M4*8	0N33P0158000	
17			
18			
19			
20			
21			
22			
23			
24			
25			
26			
27			
28			
29			
30			
31			
32			
33			
34			
35			
36			
37			
38			
39			
40			
41			
42			
43			
44			
45			
46			
47			
48			
49			
50			

Note: As for parts with mark @, please follow our instructions on Table of Contents in your parts order.

(U011)

ARM 1



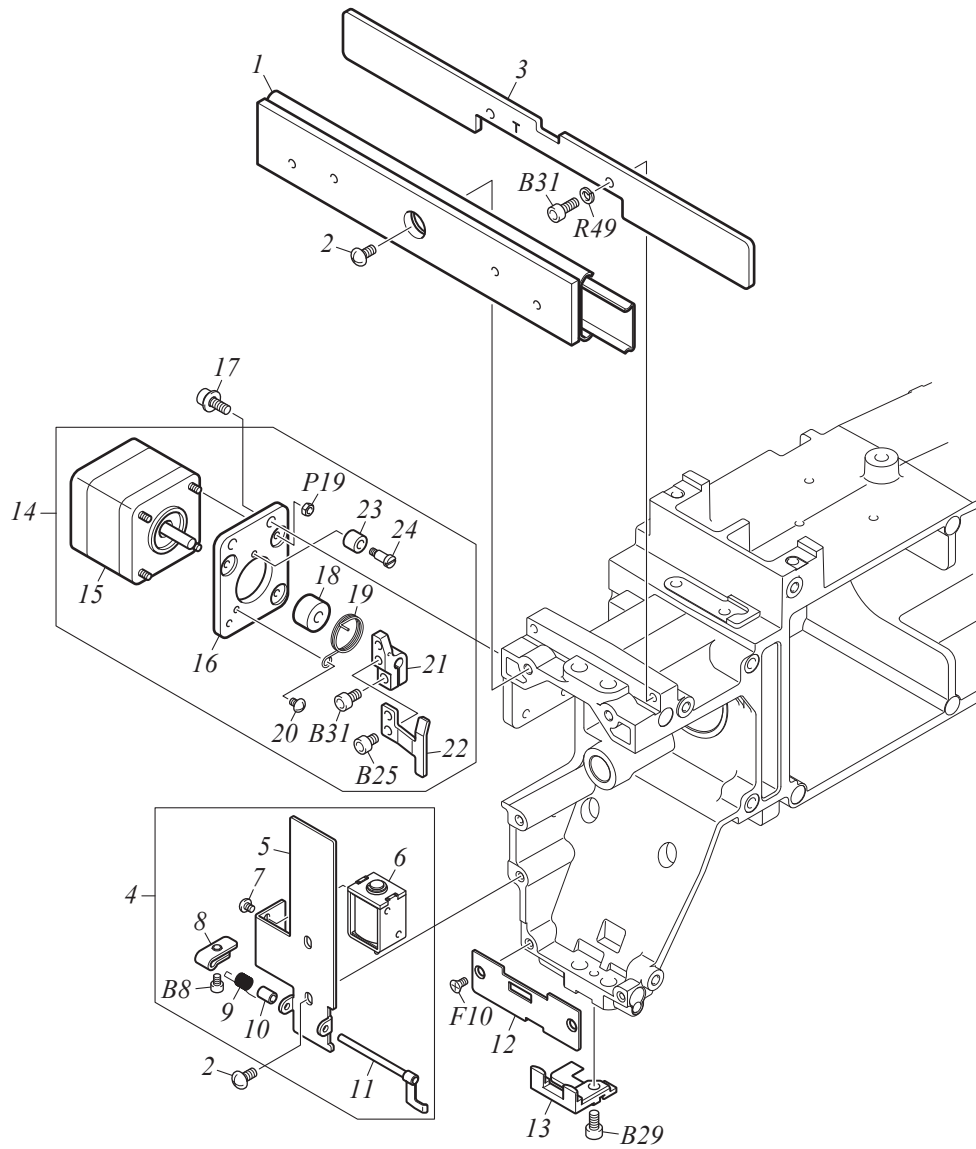
# ARM 1

F1-5-1

No.	Part Name	Part No.	Remark
1	BEARING :6004ZZNR	0N33Y0150000	
2	BEARING COLLAR :14.72MM DIA.	0N3370050000	
3	CAM :TAKE-UP LEVER	0N3370240000	
4	FLAT FILLISTER HEAD SCREW :CAM STOPPER	0N3370250000	
5	CRANK	0N3370260000	
6	CONNECTING ROD :TAKE-UP LEVER DRIVE CAM	0N3370280000	
7	NEEDLE CAGE :KT8128	0N33Y0030000	
8	RIGHT-HAND COUNTERSUNK HEAD SCREW	0N3370270000	
9	NEEDLE BAR RECIPROCATOR[A]	0N3370330A00	
10	STOPPER :NEEDLE BAR RECIPROCATOR	0N3370380000	
11	BIND HEAD SCREW :M3*4	0N33P0144000	
12	PLAIN WASHER :10.3*14*T0.5	0N3370400000	
13	NEEDLE BAR RECIPROCATOR[S]	0N3370330S00	
14	HOLDER :JUMP SPRING	0N3370320000	
15	TORSION SPRING :0.8MM DIA.	0N3370410000	
16	RECIPROCATING SLIDE BLOCK	0N3370370000	
17	PLASTIC BUSHING :NO.2 :7.24MM DIA.	0N3370020000	
18	PAN HEAD SCREW :M3*4 (+-)	0N33P0104000	
19	BASE :DAMPER BRACKET	0N3370390000	
20	DAMPER BRACKET :NEEDLE BAR RECIPROCATOR[S]	0N3370360S00	
21	PAN HEAD SCREW :M2.5*3	0N33P0083000	
22	NEEDLE BAR DRIVE SHAFT[S]	0N3370290S00	
23	NEEDLE BAR DRIVE SHAFT	0N3370290000	
24	WICK :3.5P*145	0N3370300000	
25	GUIDE :NEEDLE BAR CASE[S]	0N3370010S00	
26	FELT :NEEDLE BAR DRIVE SHAFT	0N3370310000	
27	COMPRESSION SPRING :0.7MM DIA.	0N3370420000	
28	PRESSER FOOT RECIPROCATOR[A]	0N3370430A00	
29	PRESSER FOOT RECIPROCATOR[S]	0N3370430S00	
30	DAMPER BRACKET :PRESSER FOOT RECIPROCATOR[S]	0N3370460S00	
31	PAN HEAD SCREW :M3*4 (+-)	0N33P0104000	
32	SCREW WITH PIN :NO.3 :M4-7.5[S]	0N3370440S00	
33	SCREW WITH PIN :NO.3 :M4-7.5	0N3370440000	
34	WICK :2*1*22	0N3370450010	
35	CONNECTING ROD :PRESSER FOOT	0N3370470000	
36	STEPPED SCREW :NO.2 :M4*12[S]	0N3370480S00	
37	STEPPED SCREW :NO.2 :M4*12	0N3370480000	
38	PLAIN WASHER :4*7.5*T0.8	0N3370520000	
39	LEVER :PRESSER FOOT[S]	0N3370490S00	
40	OIL-BUSHING :NO.2 :8MM DIA.	0N3370060000	
41	LEVER :PRESSER FOOT CAM	0N3370650000	
42	STEPPED SCREW :NO.1 :M4*10	0N3370630000	
43	ROLLER :5*8*5	0N3370640000	
44	CAM :PRESSER FOOT	0N3370220000	
45	BOSS :PRESSER FOOT CAM	0N3370230000	
46			
47			
48			
49			
50			

Note: As for parts with mark @, please follow our instructions on Table of Contents in your parts order.

(U011)





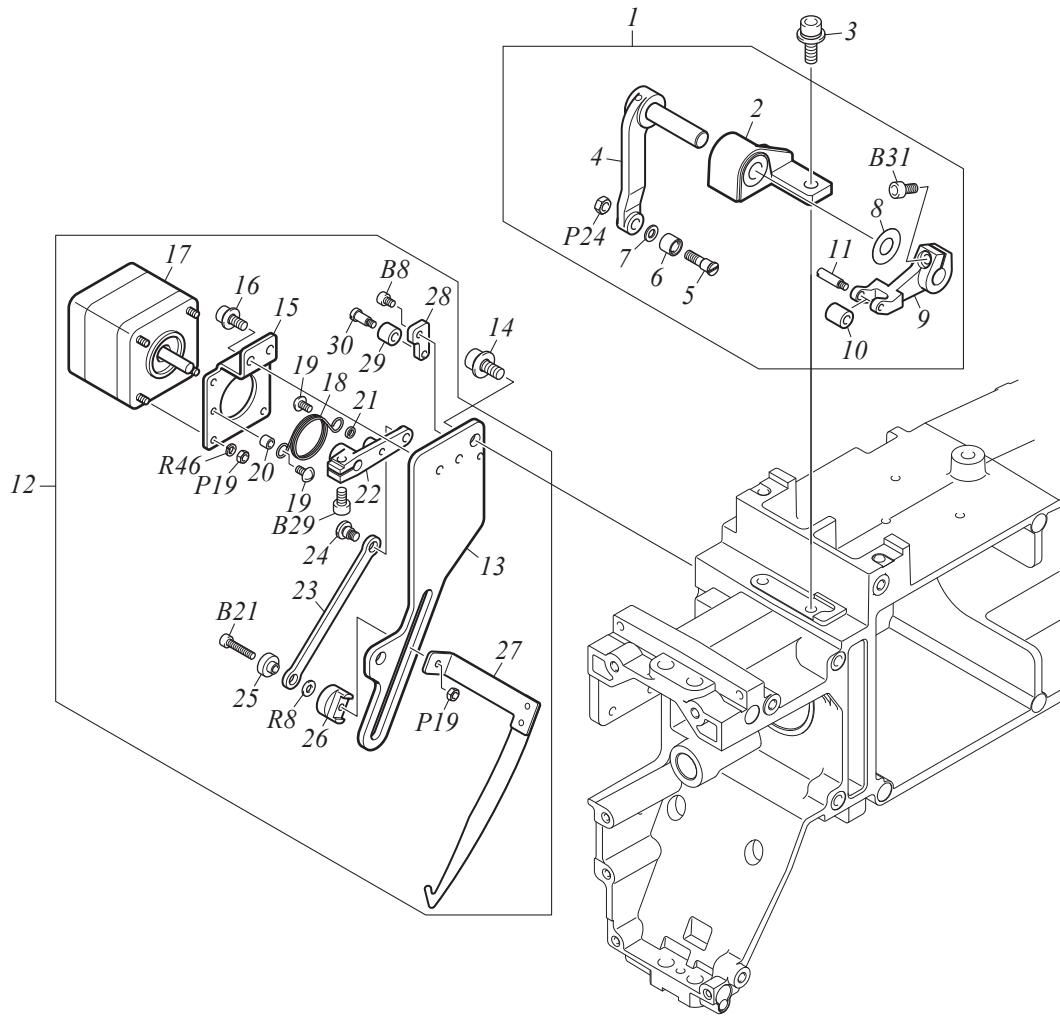
# ARM 2

F1-5-2

No.	Part Name	Part No.	Remark
1	BASE :NEEDLE BAR CASE[A]	0N3370810A00	
2	BIND HEAD SCREW :M4*8	0N33P0158000	
3	TAKE-UP LEVER GUIDE	0N3370790000	
4	HEAD FRONT COVER :L[A]	0N3370720A00	
5	HEAD FRONT COVER :L	0N3370720000	
6	SOLENOID :OPEN FRAME	0N33G0040000	
7	BIND HEAD SCREW :M3*4	0N33P0144000	
8	LEVER :SOLENOID	0N3370760000	
9	TORSION SPRING :0.5MM DIA.	0N3370780000	
10	COLLAR :NO.1 :3.1MM DIA.	0N3370770000	
11	LEVER :DRIVE[S]	0N3370730S00	
12	GUIDE PLATE :NEEDLE BAR CASE	0N3380390000	
13	GUIDE BRACKET :NEEDLE BAR CASE	0N3370800000	
14	JUMP[A]	0N3370670A00	
15	PULSE MOTOR :42MM SQUARE[T]	0N33G0010T00	
16	BRACKET :JUMP MOTOR	0N3370670000	
17	CAP SCREW WITH WASHER :M4*12	0N33P023C000	
18	COLLAR :NO.1 :5.1MM DIA.	0N3370680000	
19	TORSION SPRING :0.9MM DIA.	0N3370710000	
20	PAN HEAD SCREW :M3*4 (+-)	0N33P0104000	
21	CONNECTING STUD :JUMP LEVER	0N3370690000	
22	LEVER :JUMP	0N3370700000	
23	DAMPER RING :4MM DIA.	0N33D0220000	
24	STEPPED SCREW :NO.1 :M3*10	0N33D0230000	
25			
26			
27			
28			
29			
30			
31			
32			
33			
34			
35			
36			
37			
38			
39			
40			
41			
42			
43			
44			
45			
46			
47			
48			
49			
50			

Note: As for parts with mark @, please follow our instructions on Table of Contents in your parts order.

(U011)



# ARM 3

F1-5-3

No.	Part Name	Part No.	Remark
1	TAKE-UP LEVER DRIVE LEVER [A]	0N3370530A00	
2	BEARING CASE :TAKE-UP LEVER DRIVE LEVER[S]	0N3370530S00	
3	CAP SCREW WITH WASHER :M5*16	0N33P025G000	
4	LEVER :TAKE-UP LEVER[S]	0N3370550S00	
5	STEPPED SCREW :NO.1 :M4*10	0N3370630000	
6	ROLLER :5*7.94*5	0N3370840000	
7	PLAIN WASHER :4*7.5*T0.8	0N3370520000	
8	PLAIN WASHER :8*17*T0.2	0N3370660000	
9	ARM :TAKE-UP LEVER	0N3370540000	
10	ROLLER :4MM DIA.	0N3370590000	
11	SCREW WITH PIN :NO.4 :M3-12.5	0N3370580000	
12	UPPER THREAD HOLDER[A]	0N33A0010A00	
13	BASE :HOOK	0N33A0010000	
14	CAP SCREW WITH WASHER :M5*12	0N33P025C000	
15	BASE :HOOK MOTOR	0N33A0020000	
16	CAP SCREW WITH WASHER :M4*8 (W8P*T0.8)	0N33P0240010	
17	PULSE MOTOR :42MM SQUARE[T]	0N33G0010T00	
18	TORSION SPRING :0.9MM DIA.	0N33A0120000	
19	TRUSS HEAD SCREW :M3*6	0N33P0026000	
20	COLLAR :NO.1 :3MM DIA.	0N33A0140000	
21	PLAIN WASHER :3*5*T1	0N33A0130000	
22	LEVER :UPPER THREAD HOOK	0N33A0030000	
23	CONNECTING PLATE :HOOK	0N33A0040000	
24	STEPPED SCREW :NO.1 :M4*6.9	0N33D0050000	
25	SPACER :SLIDE HOOK	0N33A0110000	
26	GUIDE COLLAR :UPPER THREAD HOOK	0N33A0100000	
27	HOOK[S]	0N33A0070S00	
28	STOPPER BASE :HOOK	0N33A0060000	
29	DAMPER RING :4MM DIA.	0N33D0220000	
30	STEPPED SCREW :NO.1 :M3*10	0N33D0230000	
31			
32			
33			
34			
35			
36			
37			
38			
39			
40			
41			
42			
43			
44			
45			
46			
47			
48			
49			
50			

Note: As for parts with mark @, please follow our instructions on Table of Contents in your parts order.

(UO11)



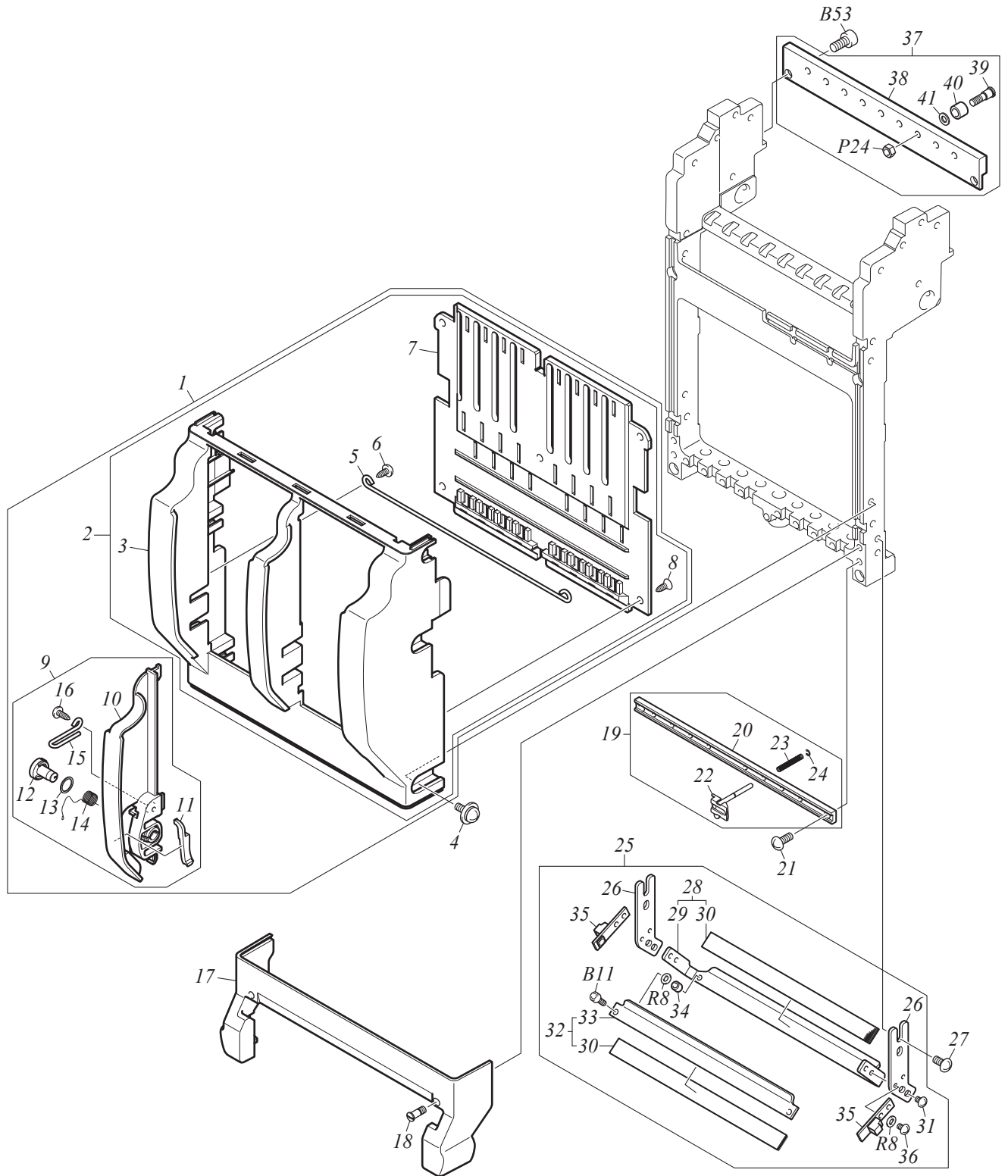
# NEEDLE BAR CASE 1

F1-6-1

No.	Part Name	Part No.	Remark
1	NEEDLE BAR CASE :08-NEEDLE	0N3380010000	
2	NEEDLE BAR	0N3380100000	
3	PAN HEAD SCREW :M5*6 (+-/d8)	0N33P0126000	
4	COMPRESSION SPRING :0.5MM DIA.	0N3380230000	
5	PLAIN WASHER :6.5*11*T0.4	0N33P0300000	
6	FELT PACKING	0N3380090000	
7	DAMPER RING :F	0N3380110000	
8	STOPPER :UPPER DEAD POINT	0N3380120000	
9	FLAT FILLISTER HEAD SCREW :M3*12 (5*2.3)	0N33P0060000	
10	NEEDLE BAR CONNECTING STUD	0N3380250000	
11	PAN HEAD SCREW :M4*8 (+-)	0N33P0118000	
12	COMPRESSION SPRING :0.9MM DIA.	0N3380220000	
13	PRESSER FOOT CONNECTING STUD[A]	0N3380130A00	
14	PRESSER FOOT CONNECTING STUD	0N3380130000	
15	PRESSER FOOT[A]	0N3380140A00	
16	PRESSER FOOT	0N3380150000	
17	SPLIT COLLAR :PRESSER FOOT	0N3380160000	
18	FLAT FILLISTER HEAD SCREW :M4	0N3380240000	
19	DAMPER RING :A	0N3380170000	
20	NEEDLE CLAMP[S]	0N3380180S00	
21	NEEDLE :DB-K5Z1 #12	0N33Y0270000	
22	SLOTTED HEAD SET SCREW :M4	0N3380210000	
23	LINE MARKER	0N33G0480000	
24	NEEDLE BAR GUIDE :09-NEEDLE	0N3380320000	
25	PAN HEAD SCREW :M4*8 (+-)	0N33P0118000	
26	RAIL :CASE :LOWER :09-NEEDLE	0N3380260000	
27	FLAT FILLISTER HEAD SCREW :M4	0N3380240000	
28	SPLIT COLLAR :NO.2 :8MM DIA.	0N3380070000	
29	TAKE-UP LEVER[A]	0N3380020A00	
30	TAKE-UP LEVER[S]	0N3380030S00	
31	BOSS :TAKE-UP LEVER	0N3380050000	
32	PAN HEAD SCREW :M3*10	0N33P009A000	
33	GUIDE SHAFT :TAKE UP LEVER :09-NEEDLE	0N3380080000	
34	COLLAR :8MM DIA.	0N3380060000	
35			
36			
37			
38			
39			
40			
41			
42			
43			
44			
45			
46			
47			
48			
49			
50			

Note: As for parts with mark @, please follow our instructions on Table of Contents in your parts order.

(U011)



# NEEDLE BAR CASE 2

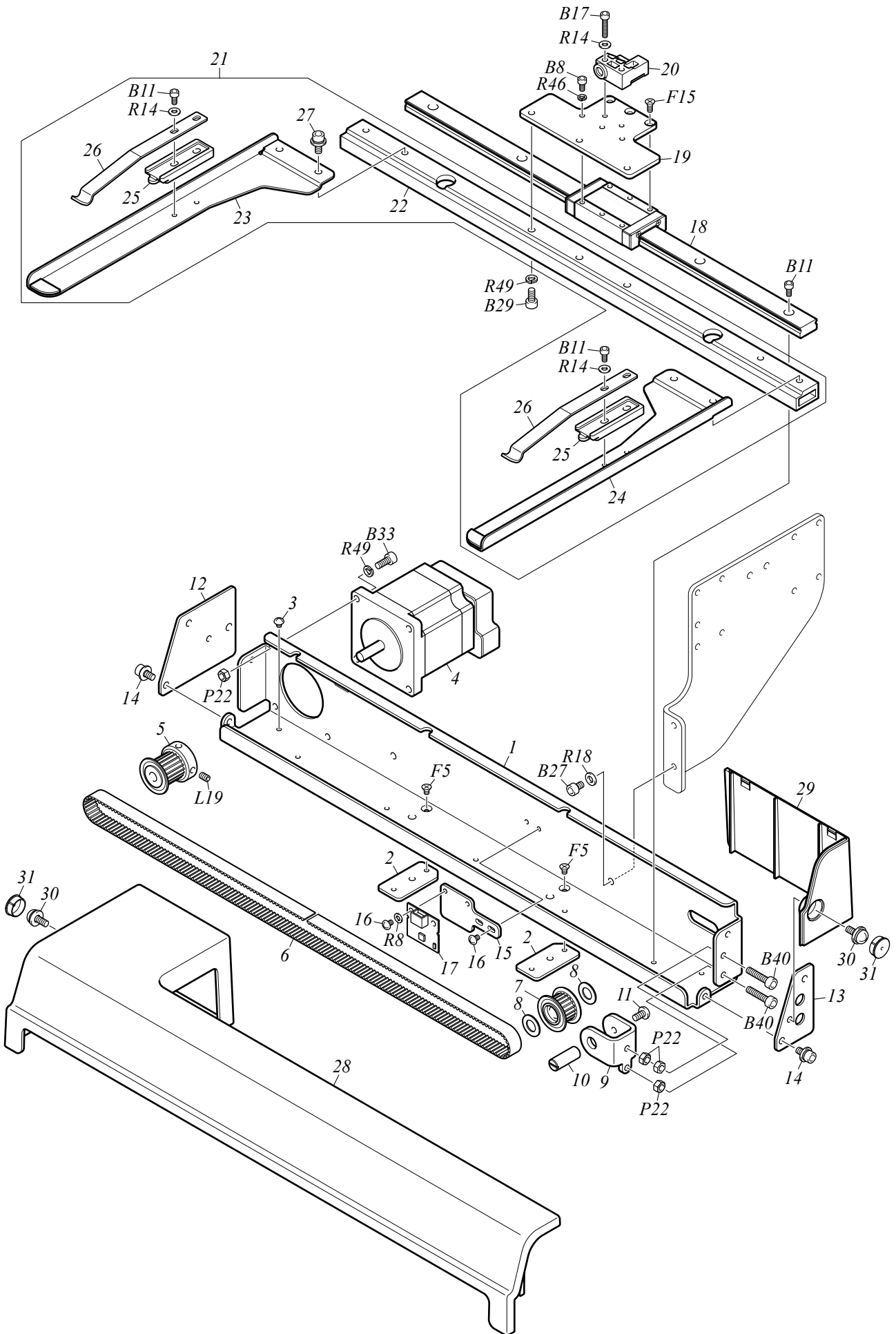
FI-6-2

No.	Part Name	Part No.	Remark
1	TOP COVER[A]	0N3390120A00	
2	TOP COVER :1[A]	0N3390121A00	
3	TOP COVER	0N3390120000	
4	PAN HEAD SCREW WITH WASHER :M4*12	0N33P026C000	
5	LARGE THREAD HOLDER	0N3380410000	
6	TRUSS HEAD TAPPING SCREW :4P*8 TYPE 2	0N33P0178000	
7	BASE :MIDDLE THREAD GUIDE	0N3380480000	
8	COUNTERSUNK TAPPING SCREW :4P*10	0N33P018A000	
9	MIDDLE THREAD GUIDE[A]	0N3380400A00	
10	MIDDLE THREAD GUIDE :SNAP FIT	0N3380400000	
11	SIDE WALL PLATE :MIDDLE THREAD GUIDE	0N3380450000	
12	SPRING SHAFT :THREAD TAKE-UP SPRING	0N3380420000	
13	PLAIN WASHER :8*10*T0.5	0N3380460000	
14	THREAD TAKE-UP SPRING :NO.2 :0.4MM DIA.	0N3380440000	
15	LARGE THREAD HOLDER :A	0N3380430000	
16	TRUSS HEAD TAPPING SCREW :3P*10	0N33P016A000	
17	FACE COVER	0N3390110000	
18	STEPPED SCREW :NO.1 :M4*10.3	0N3380470000	
19	UPPER THREAD LOCK[A]	0N3380510A00	
20	BASE :UPPER THREAD LOCK :09-NEEDLE	0N3380270000	
21	BIND HEAD SCREW :M4*8	0N33P0158000	
22	LOCK SHAFT[S]	0N3380280S00	
23	COMPRESSION SPRING :0.3MM DIA.	0N3380310000	
24	E-RING :1.5MM DIA.	0N33Y0191000	
25	UPPER THREAD HOLDER[A]	0N3380520A00	
26	BRACKET :UPPER THREAD HOLDER	0N3380330000	
27	BIND HEAD SCREW :M4*8	0N33P0158000	
28	BASE :UPPER THREAD HOLDER :09-NEEDLE[S]	0N3380340S00	
29	BASE :UPPER THREAD HOLDER :09-NEEDLE	0N3380340000	
30	FASTENING TAPES :WDS4	0N3380360000	
31	BIND HEAD SCREW :M3*4	0N33P0144000	
32	UPPER THREAD HOLDER :09-NEEDLE[S]	0N3380350S00	
33	UPPER THREAD HOLDER :09-NEEDLE	0N3380350000	
34	COLLAR :NO.1 :3MM DIA.	0N33A0140000	
35	CARD :LED NEEDLE BASE LIGHT	0N33G0470000	
36	PAN HEAD SCREW :M2.5*3	0N33P0083000	
37	CHANGE ROLLER[A]	0N3380530A00	
38	BASE :CHANGE ROLLER :09-NEEDLE	0N3380370000	
39	STEPPED SCREW :NO.1 :M4*10	0N3370630000	
40	ROLLER :5*8*5	0N3370640000	
41	PLAIN WASHER :4*7.5*T0.8	0N3370520000	
42			
43			
44			
45			
46			
47			
48			
49			
50			

Note: As for parts with mark @, please follow our instructions on Table of Contents in your parts order.

(UO11)

X-AXIS DRIVE SYSTEM





# X-AXIS DRIVE SYSTEM

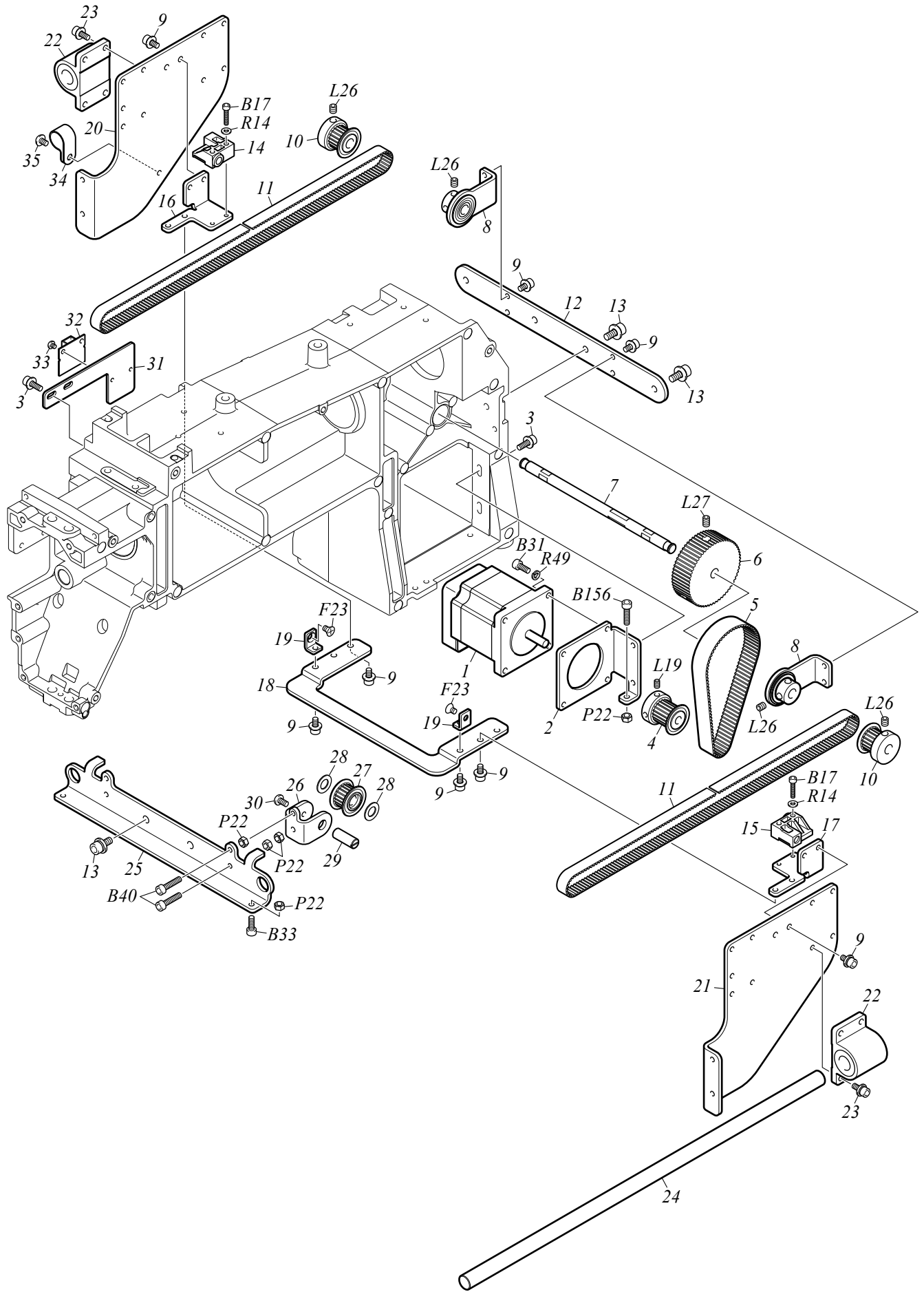
F1-7

No.	Part Name	Part No.	Remark
1	Z-SPEC. FRAME SASH	0N33E0010010	
2	BASE :CAP FRAME	0N33E0410000	
3	PAN HEAD SCREW :M3*3 (+-)	0N33P0103000	
4	PULSE MOTOR :56MM SQUARE 54L :WITH SENSOR[A]	0N33G0070A00	
5	TIMING PULLEY :W15-20[S]	0N33E0030S00	
6	TIMING BELT :100 S3M 786 GB	0N33Y0070000	
7	TIMING PULLEY :W10-20[S]	0N33E0090S00	
8	RULON WASHER :TW-0815	0N33E0370000	
9	BRACKET :PULLEY	0N33E0070000	
10	PIN :PULLEY	0N33E0080000	
11	BIND HEAD SCREW :M4*8	0N33P0158000	
12	Z-SPEC. FRAME SASH :L	0N33E0020000	
13	Z-SPEC. FRAME SASH :R	0N33E0390000	
14	CAP SCREW WITH WASHER :M4*8 (W8P*T0.8)	0N33P0240010	
15	BASE :CARD :X DRIVE	0N33E0320000	
16	BIND HEAD SCREW :M3*4	0N33P0144000	
17	CARD :MAGNETIC SENSOR A	0N33G0460000	
18	LINEAR WAY :X DRIVE SYSTEM	0N33Y0060000	
19	FRAME HOLDER	0N33E0110000	
20	BELT CATCHER :B[S]	0N33E012BS00	
21	FRAME HOLDER [A]	0N33E0340A00	
22	SASH :FRAME HOLDER	0N33E0340000	
23	FRAME HOLDER :L[S]	0N33E0130S00	
24	FRAME HOLDER :R[S]	0N33E0160S00	
25	STOPPER :NO.2	0N33E0350000	
26	PLATE SPRING :HOLDER BASE :T1.5	0N33E0360000	
27	CAP SCREW WITH WASHER :M4*10	0N33P023A000	
28	COVER :Z-SPEC. FRAME SASH :L	0N33E0380000	
29	COVER :Z-SPEC. FRAME SASH :R	0N33E0400000	
30	PAN HEAD SCREW WITH WASHER :M4*12	0N33P026C000	
31	CAP :COVER :COOL GRAY 6C	0N3390131000	
32			
33			
34			
35			
36			
37			
38			
39			
40			
41			
42			
43			
44			
45			
46			
47			
48			
49			
50			

Note: As for parts with mark @, please follow our instructions on Table of Contents in your parts order.

(UO11)

Y-AXIS DRIVE SYSTEM



# Y-AXIS DRIVE SYSTEM

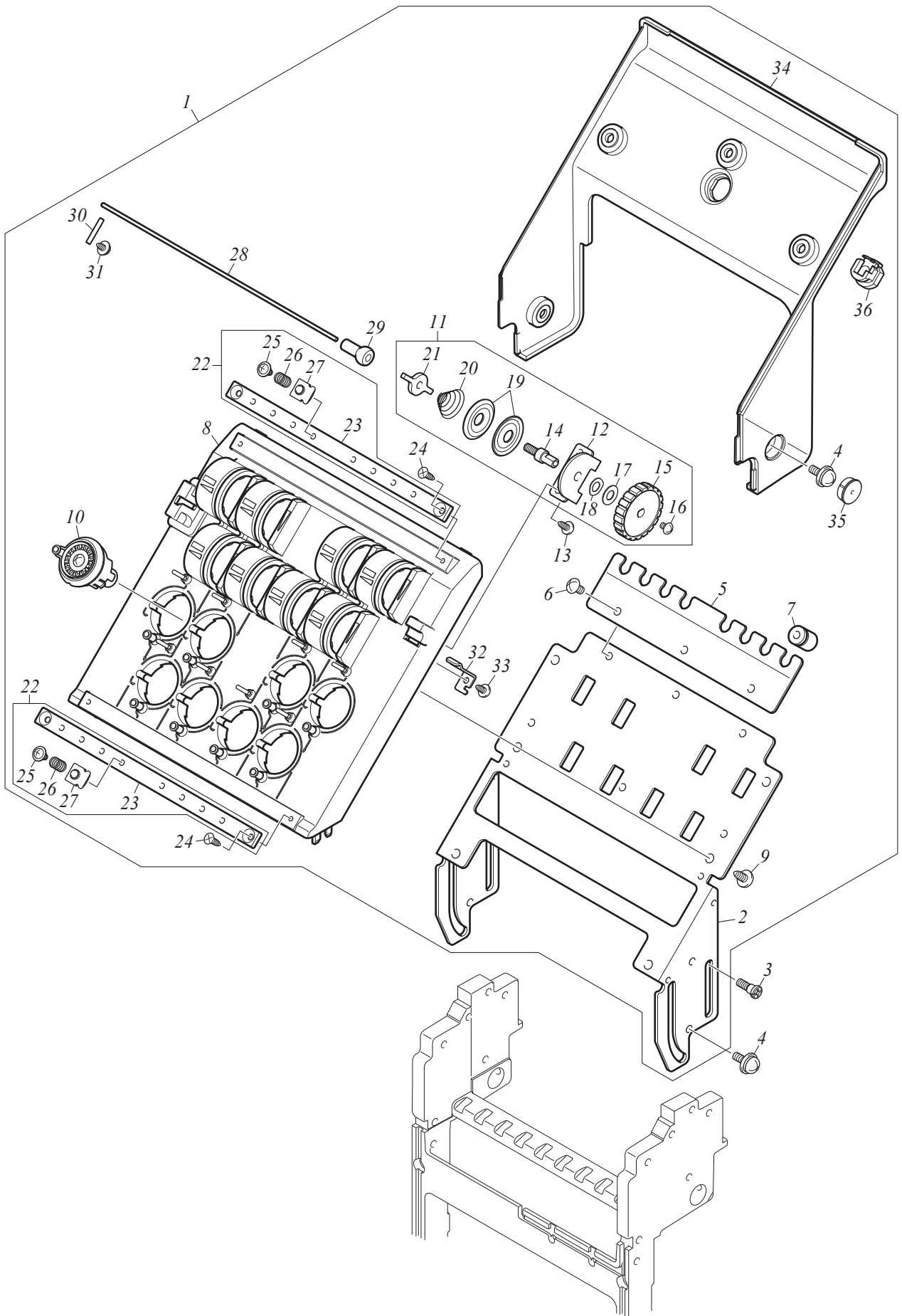
F1-8

No.	Part Name	Part No.	Remark
1	PULSE MOTOR :56MM SQUARE 54L :WITH SENSOR[A]	0N33G0070A00	
2	BRACKET :Y DRIVE MOTOR	0N33E0280000	
3	CAP SCREW WITH WASHER :M4*12	0N33P023C000	
4	TIMING PULLEY :W15-20[S]	0N33E0030S00	
5	TIMING BELT :150 S3M 264 GB	0N33Y0110000	
6	PULLEY :Y DRIVE SYSTEM	0N33E0270000	
7	Y-AXIS DRIVE SHAFT	0N33E0300000	
8	BEARING CASE :Y-AXIS DRIVE SHAFT[S]	0N33E0240S00	
9	CAP SCREW WITH WASHER :M4*8 (W8P*T0.8)	0N33P0240010	
10	DRIVE PULLEY :S3M W10-20[S]	0N33E0250S00	
11	TIMING BELT :100 S3M 648 GB	0N33Y0100000	
12	BRACKET :Y DRIVE SYSTEM	0N33E0230000	
13	CAP SCREW WITH WASHER :M5*12	0N33P025C000	
14	BELT CATCHER :A[S]	0N33E012AS00	
15	BELT CATCHER	0N33E0120000	
16	BRACKET :BELT CATCHER :L	0N33E021L000	
17	BRACKET :BELT CATCHER :R	0N33E021R000	
18	BRACKET :Z-SPEC. FRAME ARM	0N33E0190000	
19	REINFORCING PLATE :Y DRIVE SYSTEM	0N33E0430000	
20	Z-SPEC. FRAME ARM :L	0N33E018L000	
21	Z-SPEC. FRAME ARM :R	0N33E018R000	
22	SLIDE BLOCK[S]	0N33E0200S00	
23	CAP SCREW WITH WASHER :M4*10	0N33P023A000	
24	SHAFT :Y DRIVE SYSTEM	0N33E0290000	
25	BRACKET :Y DRIVE SYSTEM :FRONT	0N33E0220000	
26	BRACKET :PULLEY	0N33E0070000	
27	TIMING PULLEY :W10-20[S]	0N33E0090S00	
28	RULON WASHER :TW-0815	0N33E0370000	
29	PIN :PULLEY	0N33E0080000	
30	BIND HEAD SCREW :M4*8	0N33P0158000	
31	BASE :CARD :Y DRIVE	0N33E0330000	
32	CARD :MAGNETIC SENSOR A	0N33G0460000	
33	BIND HEAD SCREW :M3*3	0N33P0143000	
34	CORD CLAMP :UC-3	0N33G0980000	
35	TRUSS HEAD SCREW :M4*6 (+-)	0N33P0046000	
36			
37			
38			
39			
40			
41			
42			
43			
44			
45			
46			
47			
48			
49			
50			

Note: As for parts with mark @, please follow our instructions on Table of Contents in your parts order.

(U011)

TENSION BASE



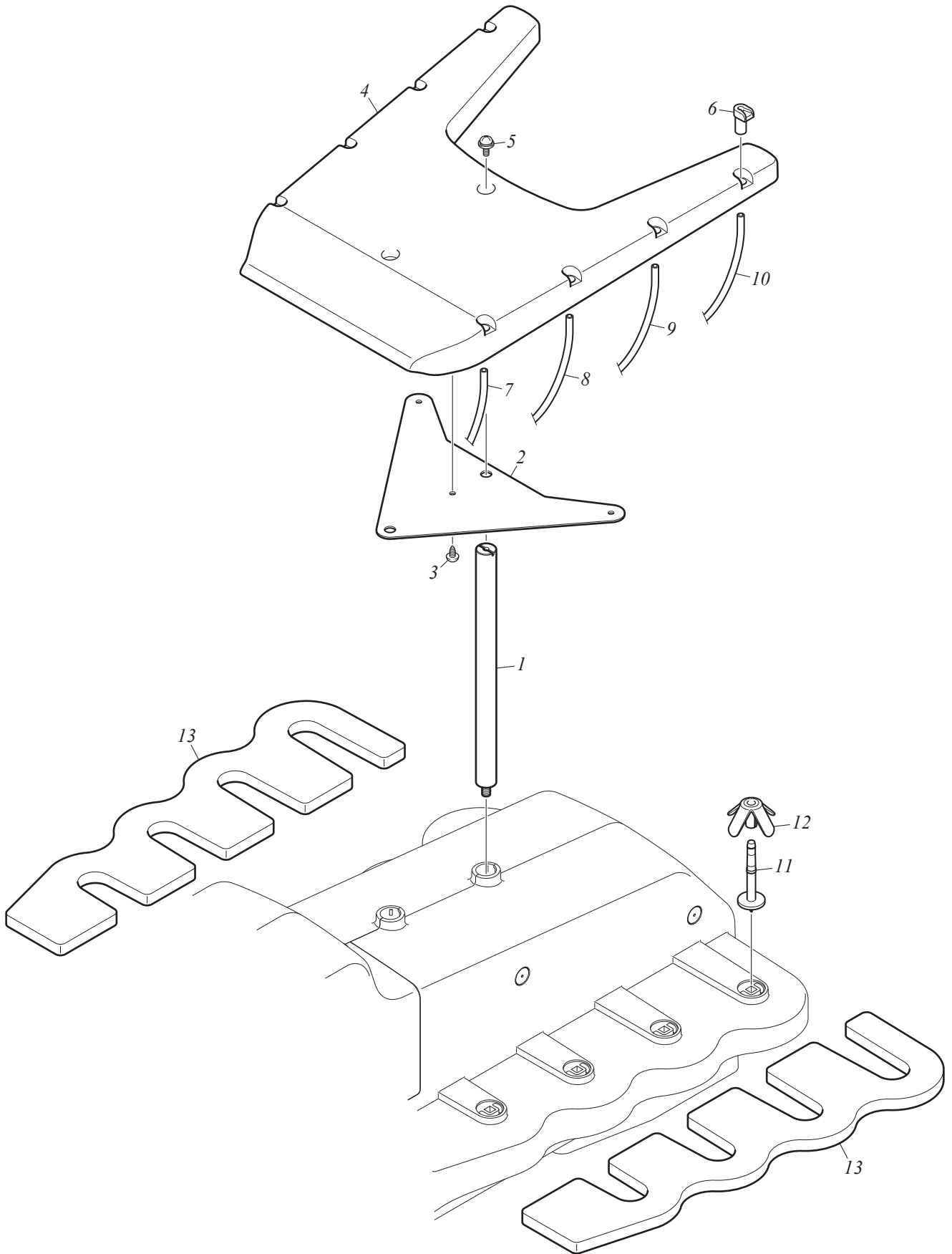
# TENSION BASE

F1-9

No.	Part Name	Part No.	Remark
1	TENSION BASE[A]	0N33B0260A00	
2	TENSION BASE ATTACHING BASE	0N33B0100000	
3	STEPPED SCREW :NO.1 :M4*12	0N3380380000	
4	PAN HEAD SCREW WITH WASHER :M4*12	0N33P026C000	
5	BASE :RUBBER TUBE	0N33B0030000	
6	PAN HEAD SCREW :M4*5 (+-)	0N33P0115000	
7	BUSH :RUBBER TUBE :B	0N33C0090000	
8	TENSION BASE SUPPORT[S]	0N33B0200S00	
9	TRUSS HEAD TAPPING SCREW :4P*8 TYPE 2	0N33P0178000	
10	ROTARY TENSION DISK[A]	0N33B0090A00	
11	TENSION[A]	0N33B0040A00	
12	TENSION BASE	0N33B0040000	
13	TRUSS HEAD TAPPING SCREW :3P*10	0N33P016A000	
14	TENSION STUD	0N33B0050000	
15	TENSION KNOB	0N33B0060000	
16	BIND HEAD SCREW :M3*4	0N33P0144000	
17	PLAIN WASHER :5.5*11*T0.5	0N33P0290000	
18	WAVE WASHER :M5*9.6*T0.15	0N33P0310000	
19	TENSION DISK	0N33B0070000	
20	TAPER SPRING :0.6MM DIA.	0N33B0210000	
21	TENSION ADJUSTING NUT	0N33B0080000	
22	THREAD PRESSER :09-NEEDLE[A]	0N33B0140A00	
23	BASE :THREAD PRESSER :09-NEEDLE	0N33B0140000	
24	COUNTERSUNK TAPPING SCREW :3P*10	S550031001SD	
25	TRUSS HEAD SCREW :STEPPED :M3*4*2	0N33P0010000	
26	COMPRESSION SPRING :0.2MM DIA.	0N33B0160000	
27	THREAD PRESSER	0N33B0150000	
28	THREAD PRESSER :2MM DIA.	0N33B0220000	
29	CAP :THREAD PRESSER	0N33B0230000	
30	STRAIGHT PIN :NO.1 :3MM DIA.	0N3350220000	
31	PAN HEAD TAPPING FLANGE SCREW :3P*5 TYPE 2	0N33P0225000	
32	PLATE SPRING :T1.2	0N33B0240000	
33	TRUSS HEAD TAPPING SCREW :3P*8	S530030801SD	
34	COVER :TENSION BASE	0N33B0250000	
35	CAP :COVER :COOL GRAY 6C	0N3390131000	
36	BUSHING :HARNESS :SR-5R2	0N33G0930000	
37			
38			
39			
40			
41			
42			
43			
44			
45			
46			
47			
48			
49			
50			

Note: As for parts with mark @, please follow our instructions on Table of Contents in your parts order.

(UO11)



# THREAD STAND

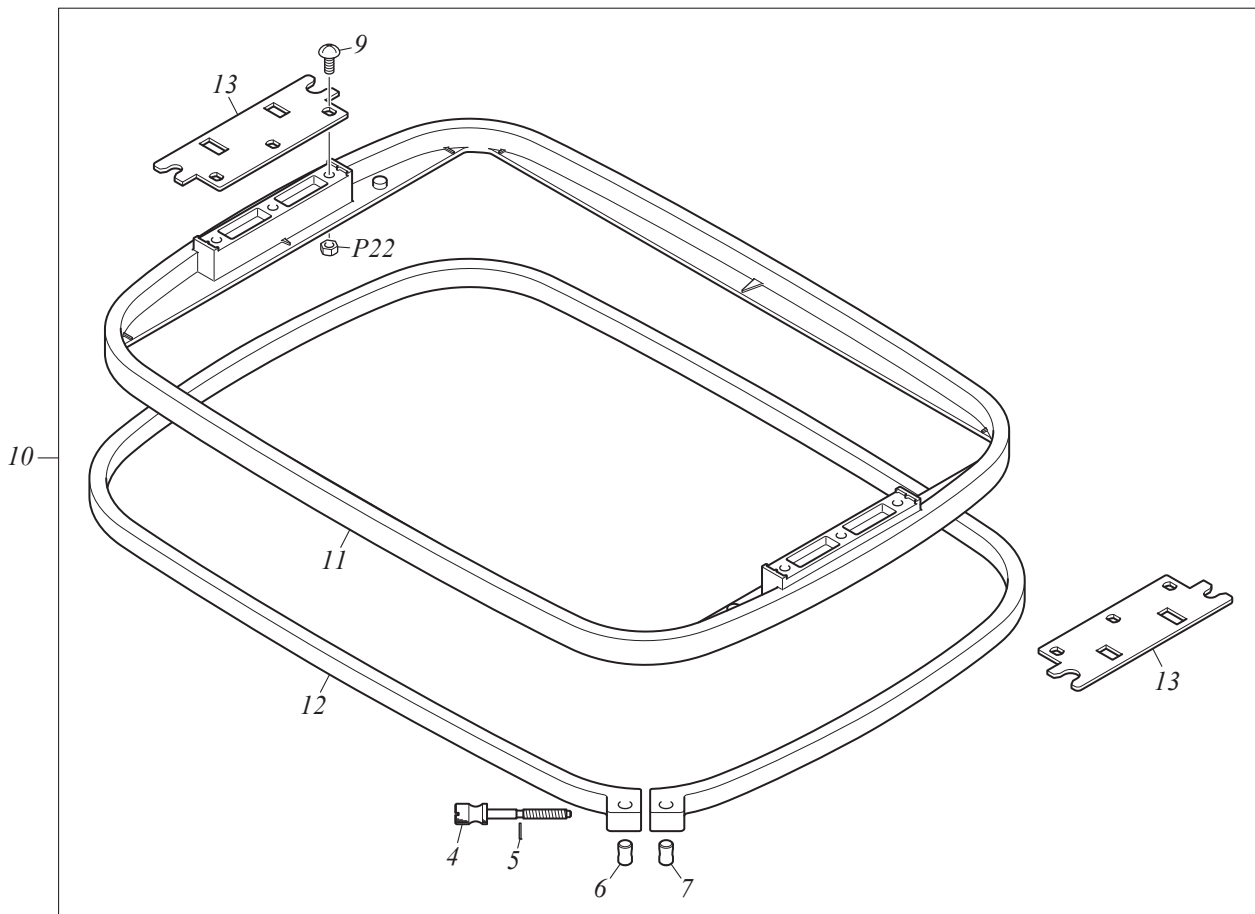
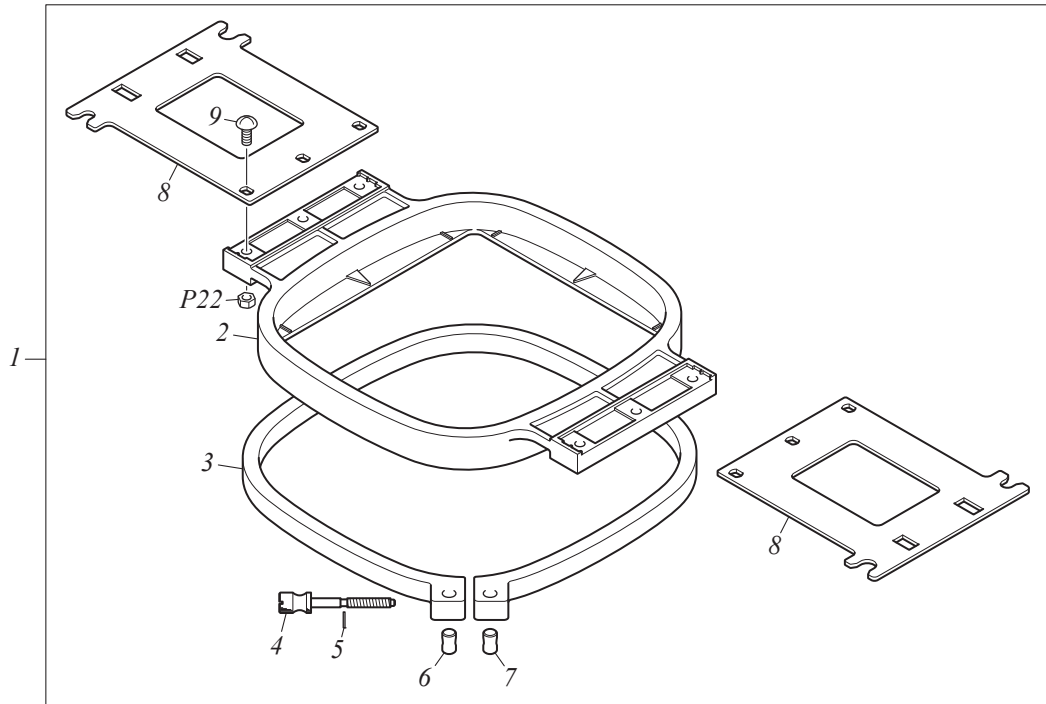
F1-10

No.	Part Name	Part No.	Remark
1	THREAD COURSE SUPPORT BAR	0N33C0050000	
2	THREAD COURSE :REINFORCING PLATE	0N33C0060000	
3	TRUSS HEAD TAPPING SCREW :4P*8 TYPE 2	0N33P0178000	
4	THREAD COURSE	0N33C0070000	
5	PAN HEAD SCREW WITH WASHER :M4*12	0N33P026C000	
6	BUSHING :RUBBER TUBE :A	0N33C0080000	
7	RUBBER TUBE :L200	0N33C0010000	
8	RUBBER TUBE :L280	0N33C0020000	
9	RUBBER TUBE :L380	0N33C0030000	
10	RUBBER TUBE :L480	0N33C0040000	
11	THREAD STAND STUD	0N33C0110000	
12	THREAD STAND BLADE	0N33C0120000	
13	BASE :THREAD	0N33C0100000	
14			
15			
16			
17			
18			
19			
20			
21			
22			
23			
24			
25			
26			
27			
28			
29			
30			
31			
32			
33			
34			
35			
36			
37			
38			
39			
40			
41			
42			
43			
44			
45			
46			
47			
48			
49			
50			

Note: As for parts with mark @, please follow our instructions on Table of Contents in your parts order.

(U011)

TUBULAR GOODS FRAME





# TUBULAR GOODS FRAME

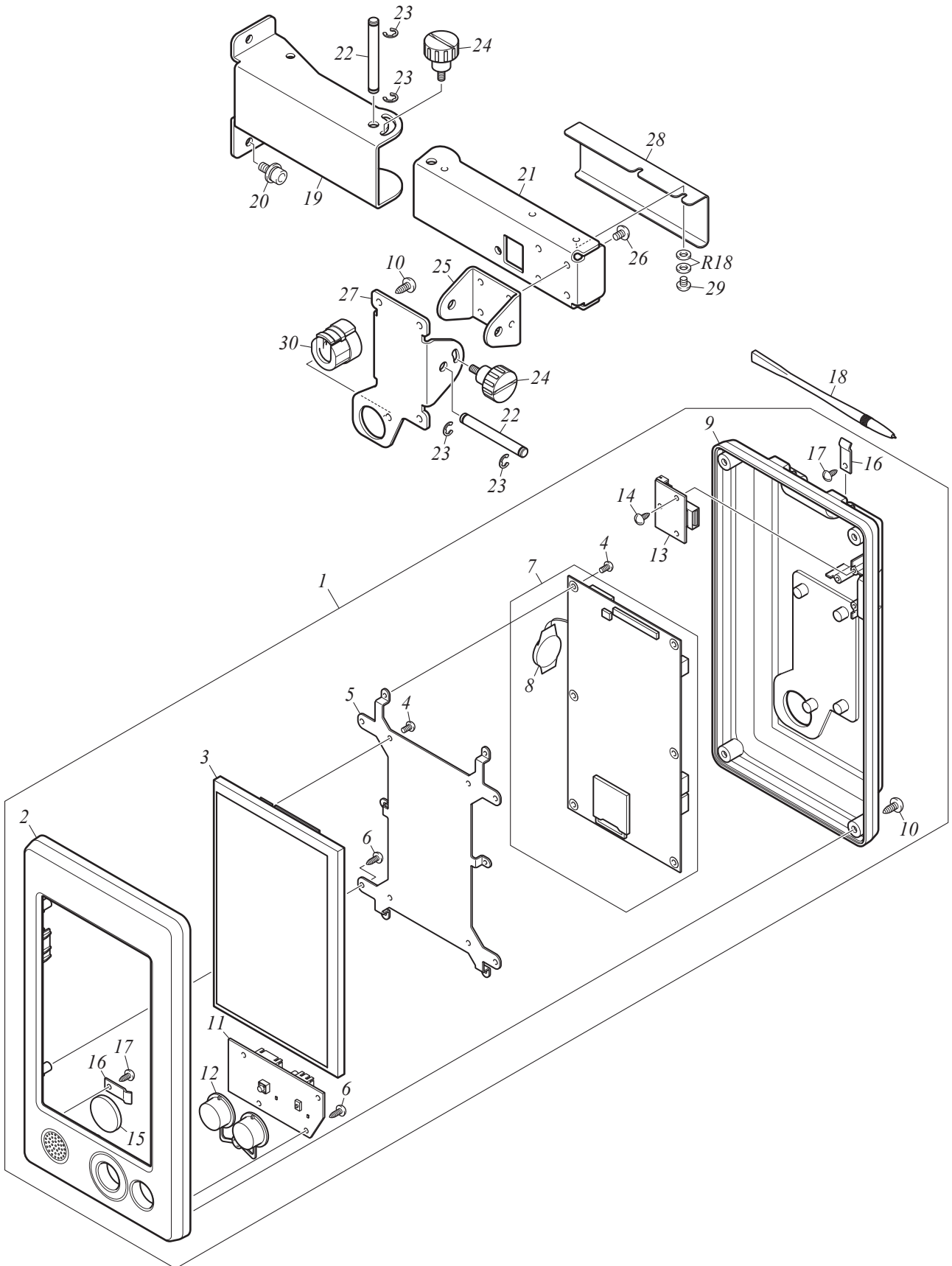
F1-11

No.	Part Name	Part No.	Remark
1	TUBULAR GOODS FRAME :100*100[A]	0N33F0010A00	
2	INNER FRAME :100*100	0N33F0020000	
3	OUTER FRAME :100*100	0N33F0030000	
4	KNURLED SCREW :M4*37	0N33F0060000	
5	E-RING :3MM DIA.	0N33Y0193000	
6	FRAME ADJUSTING FITTING	0N33F0040000	
7	FRAME ADJUSTING NUT	0N33F0050000	
8	FRAME ARM :TUBULAR GOODS FRAME :100*100	0N33F0070000	
9	TRUSS HEAD SCREW :M4*10 (+-)	0N33P004A000	
10	TUBULAR GOODS FRAME :200*300[A]	0N33F0080A00	
11	INNER FRAME :200*300	0N33F0090000	
12	OUTER FRAME :200*300	0N33F0100000	
13	FRAME ARM :TUBULAR GOODS FRAME :200*300	0N33F0110000	
14			
15			
16			
17			
18			
19			
20			
21			
22			
23			
24			
25			
26			
27			
28			
29			
30			
31			
32			
33			
34			
35			
36			
37			
38			
39			
40			
41			
42			
43			
44			
45			
46			
47			
48			
49			
50			

Note: As for parts with mark @, please follow our instructions on Table of Contents in your parts order.

(U011)

OPERATION PANEL



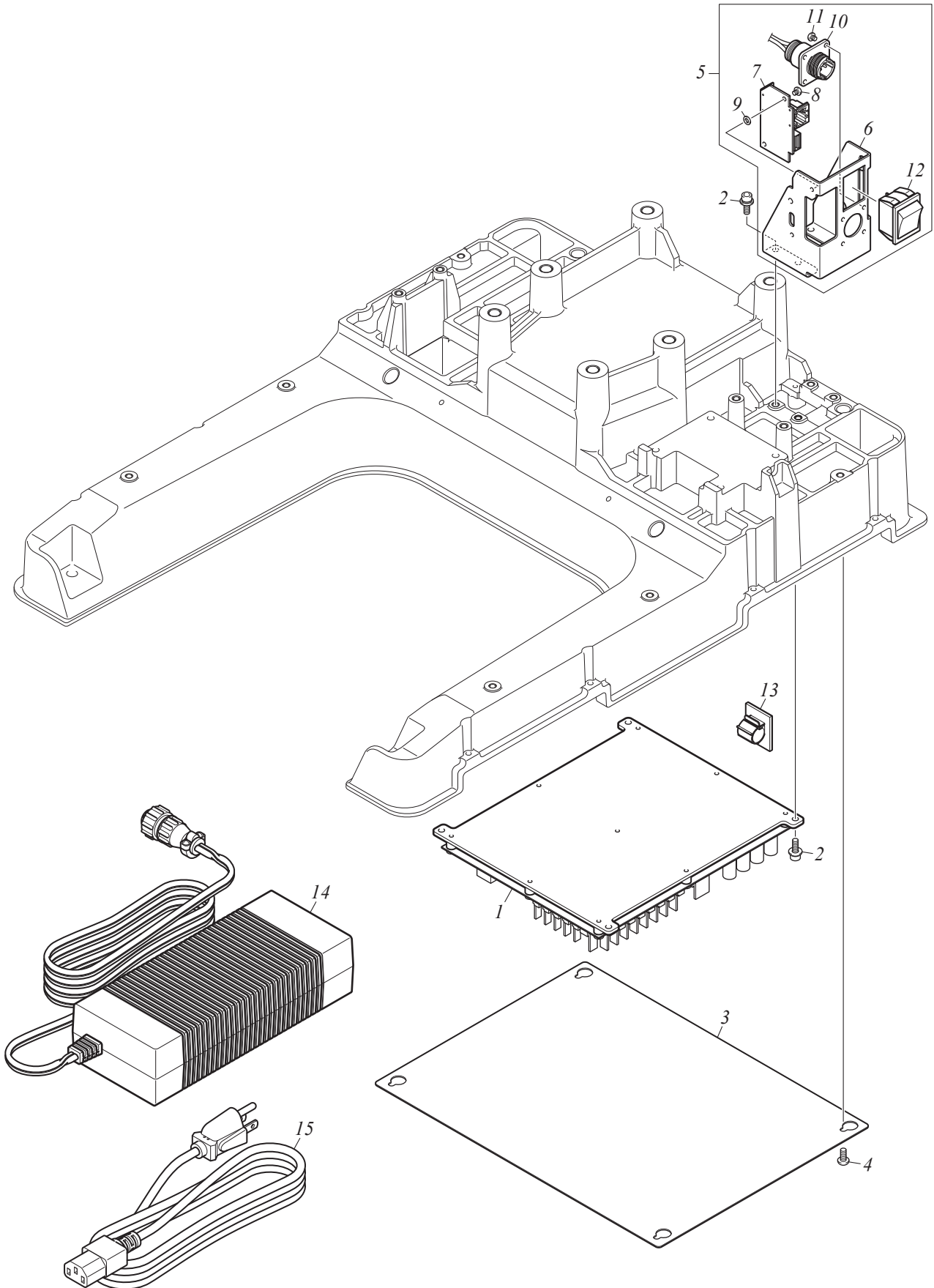
# OPERATION PANEL

F1-12

No.	Part Name	Part No.	Remark
1	OPERATION PANEL :MS1[A]	0N33G0200A00	
2	COVER :LCD PANEL :FRONT	0N33G0960010	
3	LCD :7 INCH WIDE	0N33G0250000	
4	PAN HEAD SCREW :M3*4 (+-)	0N33P0104000	
5	BASE :CPU CARD	0N33J0060000	
6	TRUSS HEAD TAPPING SCREW :3P*10	0N33P016A000	
7	CARD :PANEL CPU[A]	0N33G0210A00	
8	LITHIUM BATTERY[A]	0N33G0240A00	
9	COVER :LCD PANEL :REAR	0N33G0970000	
10	PAN HEAD TAPPING SCREW :4P*10 TYPE 2	0N33P021A000	
11	CARD :SWITCH	0N33G0260010	
12	OPERATION BUTTON	0N33J0110000	
13	CARD :USB CONNECTOR	0N33G0270000	
14	PAN HEAD TAPPING SCREW :3P*8	0N33P0198000	
15	SPEAKER	0N33G0280000	
16	PLATE SPRING :STYLUS	0N33J0070000	
17	TRUSS HEAD TAPPING SCREW :3P*8	S530030801SD	
18	STYLUS	0N33J0100000	
19	BRACKET :OPERATION PANEL :A	0N33J0020000	
20	CAP SCREW WITH WASHER :M5*12	0N33P025C000	
21	BRACKET :OPERATION PANEL :B	0N33J0030000	
22	STRAIGHT PIN :6MM DIA.	0N33J0010000	
23	E-RING :5MM DIA.	0N33Y0195000	
24	KNOBBED SCREW[S]	0N33J0080S00	
25	BRACKET :OPERATION PANEL :C	0N33J0040000	
26	TRUSS HEAD SCREW :M4*6 (+-)	0N33P0046000	
27	BRACKET :OPERATION PANEL :D	0N33J0050000	
28	COVER :PANEL BRACKET	0N33J0120000	
29	PAN HEAD SCREW :M4*5 (+-)	0N33P0115000	
30	BUSHING :HARNESS :8R3	0N33G0950000	
31			
32			
33			
34			
35			
36			
37			
38			
39			
40			
41			
42			
43			
44			
45			
46			
47			
48			
49			
50			

Note: As for parts with mark @, please follow our instructions on Table of Contents in your parts order.

(U011)



# ELECTRICAL PARTS

F1-13

No.	Part Name	Part No.	Remark
1	CARD :CONTROL[A]	0N33G0290A00	
2	CAP SCREW WITH WASHER :M4*12	0N33P023C000	
3	COVER :CARD	0N33M0040000	
4	BIND HEAD SCREW :M4*8	0N33P0158000	
5	MAIN SWITCH[A]	0N33M0090A00	
6	BRACKET :MAIN SWITCH	0N33M0050000	
7	CARD :LAN AND USB CONNECTOR	0N33G0450000	
8	BIND HEAD SCREW :M3*4	0N33P0144000	
9	PLASTIC WASHER :M3*5.5*T0.25	0N33P0320000	
10	HARNESS :POWER CONNECTOR	0N33N0270000	
11	PAN HEAD SCREW :M3*4 (+-)	0N33P0104000	
12	SWITCH :POWER SUPPLY	0N33G0310000	
13	CORD CLAMP :TS-1214	0N33G0940000	
14	AC ADAPTER[A]	0N33G0320A20	
15	AC POWER CORD :UL SPEC.	0N33N0400000	
15	AC POWER CORD :CE SPEC.	0N33N0410000	
15	AC POWER CORD :PSE SPEC.	0N33N0420000	
16			
17			
18			
19			
20			
21			
22			
23			
24			
25			
26			
27			
28			
29			
30			
31			
32			
33			
34			
35			
36			
37			
38			
39			
40			
41			
42			
43			
44			
45			
46			
47			
48			

Note: As for parts with mark @, please follow our instructions on Table of Contents in your parts order.

(U011)

# A, B

No.	Part No.	Remark	No.	Part No.	Remark
<b>A Flat Fillister Head Screw</b>			B18	S120031501TN	M3*15
A1	SA41730351CN	1/8*44*3.5	B19	S120031601TN	M3*16
A2	SA41730501CN	1/8*44*5	B20	S120031801TN	M3*18
A3	SA41730551CN	1/8*44*5.5	B21	S120032003TD	M3*20
A4	SA41730601CN	1/8*44*6	B22	S120032001TN	M3*20
A5	SA41740301CN	9/64*40*3	B23	S120032501TN	M3*25
A6	SA41740402CN	9/64*40*4	B24	S120033001TN	M3*30 Half Threads
A7	SA41740401SA	9/64*40*4	B25	S120040501TD	M4*5
A8	SA41740403CL	9/64*40*4	B26	S120040502TN	M4*5
A9	SA41740404CN	9/64*40*4	B27	S120040602TD	M4*6
A10	SA41740501CN	9/64*40*5	B28	S120040601TN	M4*6
A11	SA41740601CN	9/64*40*6	B29	S120040801TD	M4*8
A12	SA41740602CN	9/64*40*6	B30	S120040802TN	M4*8
A13	SA41740701CN	9/64*40*7	B31	S120041001TD	M4*10
A14	SA41740801CN	9/64*40*8	B32	S120041002TN	M4*10
A15	SA41740802CN	9/64*40*8	B33	S120041201TD	M4*12
A16	SA41740803CN	9/64*40*8	B34	S120041202TN	M4*12
A17	SA41741001CN	9/64*40*10	B35	S120041401TN	M4*14
A18	SA41741202CN	9/64*40*12	B36	S120041502TD	M4*15
A19	SA41741501CN	9/64*40*15	B37	S120041501TN	M4*15
A20	SA41750431TN	11/64*40*4.3	B38	S120041601TN	M4*16
A21	SA41750701CN	11/64*40*7	B39	S120041801TN	M4*18
A22	SA41750751CN	11/64*40*7.5	B40	S120042002TD	M4*20
A23	SA41750901SH	11/64*40*9	B41	S120042001TN	M4*20
A24	SA41751151CN	11/64*40*11.5	B42	S120042502TD	M4*25
A25	SA41751201CN	11/64*40*12	B43	S120042501TN	M4*25
A26	S141030801SC	M3*8	B44	S120042504TN	M4*25 Half Threads
A27	S141030802SD	M3*8	B45	S120043001TN	M4*30
A28	S141031001CC	M3*10	B46	S120043502TD	M4*35
A29	S141041001SC	M4*10	B47	S120043501TN	M4*35
A30	SA41740653TB	9/64*40*6.5	B48	S120044001TN	M4*40
			B49	S120044501TN	M4*45
<b>B Hexagon Socket Head Cap Screw</b>			B50	S120050601TN	M5*6
B1	S120020801TD	M2*8	B51	S120050801TD	M5*8
B2	S120021001TD	M2*10	B52	S120050802TN	M5*8
B3	S120480501TN	M2.6*5	B53	S120051001TD	M5*10
B4	S120030301TN	M3*3	B54	S120051002TN	M5*10
B5	S120030401TN	M3*4	B55	S120051004TP	M5*10
B6	S120030502TD	M3*5	B56	S120051201TD	M5*12
B7	S120030501TN	M3*5	B57	S120051202TN	M5*12
B8	S120030601TD	M3*6	B58	S120051401TN	M5*14
B9	S120030602TN	M3*6	B59	S120051501MZ	M5*15
B10	S120030804MZ	M3*8	B60	S120051502TD	M5*15
B11	S120030801TD	M3*8	B61	S120051503TN	M5*15
B12	S120030802TN	M3*8	B62	S120051601TN	M5*16
B13	S120031001TD	M3*10	B63	S120051801TN	M5*18
B14	S120031002TN	M3*10	B64	S120052001TD	M5*20
B15	S120031203TD	M3*12	B65	S120052002TN	M5*20
B16	S120031201TN	M3*12	B66	S120052201TN	M5*22
B17	S120031502TD	M3*15	B67	S120052301TN	M5*23

# B, C

No.	Part No.	Remark	No.	Part No.	Remark
<b>B</b>	<b>Hexagon Socket Head Cap Screw</b>		B117	S120102001TN	M10*20
B68	S120052501TN	M5*25	B118	S120102501TN	M10*25
B69	S120053001TN	M5*30	B119	S120103001TN	M10*30
B70	S120053503TD	M5*35	B120	S120103501TN	M10*35
B71	S120053501TN	M5*35	B121	S120104001TN	M10*40
B72	S120053502TN	M5*35 Half Threads	B122	S120123001TN	M12*30
B73	S120054001TN	M5*40	B123	S120123501TN	M12*35
B74	S120054501TN	M5*45	B124	S120081801TN	M8*18
B75	S120055001TN	M5*50	B125	S120470501TN	M2.5*5
B76	S120055002TN	M5*50 Half Threads	B126	S120052502TD	M5*25
B77	S120055501TN	M5*55	B127	S120030302TD	M3*3
B78	S120056001TN	M5*60	B128	S120051504TN	M5*15 Low Head
B79	S120056003TN	M5*60 Half Threads	B129	S120031801TD	M3*18
B80	S120060801TN	M6*8	B130	S120052801TN	M5*28
B81	S120060901TN	M6*9	B131	S120044502TN	M4*45 Half Threads
B82	S120061001TN	M6*10	B132	S120081501TD	M8*15
B83	S120061202TD	M6*12	B133	S120051802TD	M5*18
B84	S120061201TN	M6*12	B134	S120470401TN	M2.5*4
B85	S120061501TD	M6*15	B135	S120033003SD	M3*30
B86	S120061502TN	M6*15	B136	S120030402TD	M3*4
B87	S120061801TD	M6*18	B137	S120033002TN	M3*30
B88	S120061802TN	M6*18	B138	S120067502TN	M6*75
B89	S120062001TN	M6*20	B139	S120050501TN	M5*5
B90	S120062501TN	M6*25	B140	S120082001TD	M8*20
B91	S120063001TN	M6*30	B141	S120086002TD	M8*60
B92	S120063501TN	M6*35	B142	S120062002TD	M6*20
B93	S120064001TN	M6*40	B143	S120043503TD	M4*35 Half Threads
B94	S120064501TN	M6*45	B144	S120044003TN	M4*40 Half Threads
B95	S120064502TN	M6*45 Half Threads	B145	S120030605TD	M3*6 Low Head
B96	S120065001TN	M6*50 Half Threads	B146	S120042202TD	M4*22
B97	S120066501TN	M6*65	B147	S120062502TD	M6*25
B98	S120067501TN	M6*75 Half Threads	B148	S120045501TN	M4*55 Half Threads
B99	S120068001TN	M6*80 Half Threads	B149	S120123001TD	M12*30
B100	S12006A001TN	M6*100	B150	S120034001TN	M3*40
B101	S120081201TN	M8*12	B151	S120035001TN	M3*50
B102	S120081502TN	M8*15	B152	S120470502TD	M2.5*5
B103	S120081503TP	M8*15	B153	S120081202TD	M8*12
B104	S120081601TN	M8*16	B154	S120042201TN	M4*22
B105	S120082001TN	M8*20	B155	S120041802TD	M4*18
B106	S120082502TN	M8*25	B156	S120041602TD	M4*16
B107	S120083001TN	M8*30			
B108	S120083501TN	M8*35	<b>C</b>	<b>Hexagon Bolt</b>	
B109	S120084001TN	M8*40	C1	S121030601SD	M3*6
B110	S120084002TN	M8*40 Half Threads	C2	S121040801SD	M4*8
B111	S120084501TN	M8*45	C3	S121042501SD	M4*25
B112	S120084502TN	M8*45 Half Threads	C4	S121051001SD	M5*10
B113	S120085001TN	M8*50	C5	S121051502SC	M5*15
B114	S120086001TN	M8*60	C6	S121051501SD	M5*15
B115	S120087001TN	M8*70	C7	S121052001SD	M5*20
B116	S120102002TD	M10*20	C8	S121061501SC	M6*15

# C, D, E

No.	Part No.	Remark	No.	Part No.	Remark
<b>C Hexagon Bolt</b>			E4	S160020401MZ	M2*4
C9	S121062501TN	M6*25	E5	S160020801MZ	M2*8
C10	S121064501SD	M6*45	E6	S160470301MZ	M2.5*3
C11	S121065001SC	M6*50	E7	S160470402MZ	M2.5*4
C12	S121065002SD	M6*50	E8	S160470501MZ	M2.5*5
C13	S121065501SD	M6*55	E9	S160470801MZ	M2.5*8
C14	S121066501SD	M6*65	E10	S160471301MZ	M2.5*13
C15	S121067501SC	M6*75	E11	S160471302SD	M2.5*13
C16	S121081501TN	M8*15	E12	S160480601SD	M2.6*6
C17	S121081801TN	M8*18	E13	S160030301MZ	M3*3
C18	S121103001TN	M10*30	E14	S160030302SD	M3*3
C19	S121103502SC	M10*35	E15	S160030403CD	M3*4
C20	S121103501TN	M10*35	E16	S160030401MZ	M3*4
C21	S121104001SC	M10*40	E17	S160030402SD	M3*4
C22	S121125001TN	M12*50	E18	S160030501MZ	M3*5
C23	S12112B001TN	M12*110	E19	S160030502SD	M3*5
C24	S121082501TN	M8*25	E20	S160030601MZ	M3*6
C25	S121102501TN	M10*25	E21	S160030603SA	M3*6
C26	S121082202TN	M8*22	E22	S160030602SD	M3*6
C27	S121041001SD	M4*10	E23	S160030801MZ	M3*8
C28	S121040601SD	M4*6	E24	S160030803SA	M3*8
C29	S121061503SD	M6*15	E25	S160030802SD	M3*8
			E26	S160031001MZ	M3*10
<b>D Round Fillister Head Screw</b>			E27	S160031003SC	M3*10 Half Threads
D1	SA43740401CL	9/64*40*4	E28	S160031002SD	M3*10
D2	SA43740501CL	9/64*40*5	E29	S160031101SC	M3*11 Half Threads
D3	SA43740502CN	9/64*40*5	E30	S160031201MZ	M3*12
D4	SA43740503CN	9/64*40*5	E31	S160031202SD	M3*12
D5	SA43740504CN	9/64*40*5	E32	S160031401SA	M3*14
D6	SA43740601CL	9/64*40*6	E33	S160031402SD	M3*14
D7	SA43740602CN	9/64*40*6	E34	S160031501SD	M3*15
D8	SA43740603CL	9/64*40*6	E35	S160031601SD	M3*16
D9	SA43740604CN	9/64*40*6	E36	S160031801SD	M3*18
D10	SA43740682CN	9/64*40*6.8	E37	S160032001SD	M3*20
D11	SA43740801CL	9/64*40*8	E38	S160033001SD	M3*30
D12	SA43740802CN	9/64*40*8	E39	S160034002SD	M3*40
D13	SA43741001CN	9/64*40*10	E40	S160035001SD	M3*50 Half Threads
D14	SA43741201CN	9/64*40*12	E41	S160040401SD	M4*4
D15	SA43750601CN	11/64*40*6	E42	S160040501SD	M4*5
D16	SA43750652CN	11/64*40*6.5	E43	S160040601MZ	M4*6
D17	SA43751051CN	11/64*40*10.5	E44	S160040602SD	M4*6
D18	SA43751201CN	11/64*40*12	E45	S160040801SD	M4*8
D19	SA43751501CN	11/64*40*15	E46	S160041001SD	M4*10
D20	SA43812451CN	9/32*28*24.5	E47	S160041201SD	M4*12
D21	S143030501SD	M3*5	E48	S160041501SD	M4*15
			E49	S160041801SD	M4*18
<b>E Pan Head Screw</b>			E50	S160043001SD	M4*30
E1	S160410141MZ	M1.4*1.4	E51	S160045001SD	M4*50
E2	S160020202MZ	M2*2	E52	S160046001SD	M4*60
E3	S160020301MZ	M2*3	E53	S160050601SD	M5*6



# E, F, G, H

No.	Part No.	Remark	No.	Part No.	Remark
<b>E Pan Head Screw</b>			F24	S150040602MZ	M4*6
E54	S160050701SD	M5*7	F25	S150040601SD	M4*6
E55	S160050801SD	M5*8	F26	S150040801MZ	M4*8
E56	S160051002MZ	M5*10	F27	S150040802SD	M4*8
E57	S160051001SD	M5*10	F28	S150041001MZ	M4*10
E58	S160051201SD	M5*12	F29	S150041002SD	M4*10
E59	S160053001SD	M5*12	F30	S150041201SD	M4*12
E60	S160051501SD	M5*15	F31	S150041401SD	M4*14
E61	S160054501SD	M5*45	F32	S150041501SD	M4*15
E62	S160055001SD	M5*50	F33	S150042001SD	M4*20
E63	S160056001SD	M5*60	F34	S150042201SD	M4*22
E64	S160047001SD	M4*70	F35	S150042501SD	M4*25
E65	S160480801SD	M2.6*8	F36	S150050601SD	M5*6
E66	S160030504SC	M3*5	F37	S150050801SD	M5*8
E67	S160480602MZ	M2.6*6	F38	S150051001MZ	M5*10
E68	S160031403MZ	M3*14	F39	S150051002SD	M5*10
E69	S160042001SD	M4*20	F40	S150051201SD	M5*12
E70	S160044501SD	M4*45	F41	S150051501SD	M5*15
E71	S160020203SD	M2*2	F42	S150053001SD	M5*30
E72	S160470502SD	M2.5*5	F43	S150053501SD	M5*35
E73	SA60740551TN	9/64*40*5.5	F44	S150054001SD	M5*40
E74	S160431001MZ	M1.7*10	F45	S150061502SC	M6*15
E75	S160043501SD	M4*35	F46	S150061503SD	M6*15
E76	S160020501SD	M2*5	F47	S150063501SD	M6*35
E77	S160052501SD	M5*25	F48	S150081201SD	M8*12
			F49	S150087001TN	M8*70
<b>F Countersunk Head Screw</b>			F50	S150061801SD	M6*18
F1	SA51741001CN	9/64*40*10	F51	S150052501SD	M5*25
F2	SA50750801CN	11/64*40*8			
F3	S150020601SD	M2*6	<b>G Round Countersunk Head Screw</b>		
F4	S150030401MZ	M3*4	G1	SA53730601CL	1/8*44*6
F5	S150030402SD	M3*4	G2	SA53740301CL	9/64*40*3
F6	S150030501MZ	M3*5	G3	SA53740351CL	9/64*40*3.5
F7	S150030502SD	M3*5	G4	SA53740401CL	9/64*40*4
F8	S151030601SD	M3*6	G5	SA53740601CL	9/64*40*6
F9	S150030601MZ	M3*6	G6	SA53740701CL	9/64*40*7
F10	S150030602SD	M3*6	G7	SA53740951CL	9/64*40*9.5
F11	S150030701SD	M3*7	G8	SA53741201CL	9/64*40*12
F12	S151030801SD	M3*8	G9	SA53740681CL	9/64*40*6.8
F13	S150030801MZ	M3*8			
F14	S150030804SC	M3*8	<b>H Truss Head Screw</b>		
F15	S150030802SD	M3*8	H1	SA30730701CL	1/8*44*7
F16	S150030803SN	M3*8	H2	SA30740301CL	9/64*40*3.5
F17	S150031002MZ	M3*10	H3	SA30740401CL	9/64*40*4
F18	S150031001SD	M3*10	H4	SA31740401CM	9/64*40*4
F19	S150031201MZ	M3*12	H5	SA30740601CL	9/64*40*6
F20	S150031202SD	M3*12	H6	SA30740801CL	9/64*40*8
F21	S150031501MZ	M3*15	H7	S130470301MZ	M2.5*3
F22	S150031601SD	M3*16	H8	S130470302SD	M2.5*3
F23	S150040501SD	M4*5	H9	S130470401MZ	M2.5*4

# H, J, K, L

No.	Part No.	Remark	No.	Part No.	Remark
<b>H</b> Truss Head Screw			H59	S130062501SD	M6*25
H10	S130470402SA	M2.5*4	H60	S130063501SD	M6*35
H11	S130470403SD	M2.5*4	H61	S130064001SD	M6*40
H12	S130030301MZ	M3*3	H62	S130031501SD	M3*15
H13	S130030302SD	M3*3	H63	S130043501SD	M4*35
H14	S130030402SD	M3*4	H64	S130020201SD	M2*2
H15	S130030501MZ	M3*5	H65	S130470501SD	M2.5*5
H16	S130030502SD	M3*5	H66	S130052002MZ	M5*20
H17	S130030601MZ	M3*6	H67	S130054501SE	M5*45
H18	S130030602SD	M3*6	H68	S130050502MZ	M5*5
H19	S130030603SA	M3*6	H69	S130054001SD	M5*40
H20	S130030802SD	M3*8	H70	S130055001SD	M5*50
H21	S130030803SA	M3*8	H71	S130030801MZ	M3*8
H22	S130031001MZ	M3*10	H72	S130052201SD	M5*22
H23	S130031002SD	M3*10	H73	S130041802MZ	M4*18
H24	S130032001SD	M3*20	H74	S130055501SD	M5*55
H25	S130040401MZ	M4*4	H75	S130041202SD	M4*12 JIS
H26	S130040401SD	M4*4			
H27	S130040501MZ	M4*5	<b>J</b> Round Head Screw		
H28	S130040502SD	M4*5	J1	S162020301MZ	M2*3
H29	S130040601MZ	M4*6	J2	S162030801SD	M3*8
H30	S130040602SD	M4*6	J3	S162030802SE	M3*8
H31	S130040651SD	M4*6.5	J4	S162031001MZ	M3*10
H32	S130040801MZ	M4*8			
H33	S130040802SD	M4*8	<b>K</b> Slotted Set Screw		
H34	S130040803MZ	M4*8 JIS	K1	SA71730351CN	1/8*44*3.5
H35	S130041002MZ	M4*10	K2	SA71740601CN	9/64*40*6
H36	S130041001SD	M4*10	K3	SA71750251CN	11/64*40*2.5
H37	S130041201SD	M4*12	K4	SA71750351CN	11/64*40*3.5
H38	S130041502SD	M4*15	K5	SA71750401CN	11/64*40*4
H39	S130042001SD	M4*20	K6	SA71750501CN	11/64*40*5
H40	S130050501SD	M5*5	K7	SA71790501CN	15/64*28*5
H41	S130050602MZ	M5*6	K8	SA71791001CN	15/64*28*10
H42	S130050601SD	M5*6	K9	SA71791501CN	15/64*28*15
H43	S130050651SD	M5*6.5	K10	SA71791701CN	15/64*28*17
H44	S130050701SD	M5*7	K11	SA71800401CN	1/4*40*4
H45	S130050801MZ	M5*8	K12	SA71800451CN	1/4*40*4.5
H46	S130050802SD	M5*8	K13	SA71800501CN	1/4*40*5
H47	S130051002MZ	M5*10	K14	SA71800601CN	1/4*40*6
H48	S130051001SD	M5*10	K15	SA71800801CN	1/4*40*8
H49	S130051201MZ	M5*12	K16	SA71811201CN	9/32*28*12
H50	S130051202SD	M5*12	K17	S171050601TN	M5*6
H51	S130051501SD	M5*15	K18	S171030601SD	M3*6
H52	S130052001SD	M5*20			
H53	S130052502SD	M5*25	<b>L</b> Hexagon Socket Head Set Screw		
H54	S130053001SD	M5*30	L1	SA70730251CN	1/8*44*2.5
H55	S130053501SD	M5*35	L2	SA70730301CN	1/8*44*3
H56	S130060801SD	M6*8	L3	SA70750901CN	11/64*28*9
H57	S130061001SD	M6*10	L4	SA70750401CN	11/64*40*4
H58	S130062201SD	M6*22	L5	SA70750601CN	11/64*40*6

# L, M, N

No.	Part No.	Remark	No.	Part No.	Remark
<b>L Hexagon Socket Head Set Screw</b>			M8	S124081201SC	M8*12
L6	SA70750801CN	11/64*40*8	M9	S124081202SD	M8*12
L7	SA70790401CN	15/64*28*4	M10	S124081501SD	M8*15
L8	SA70790901CN	15/64*28*9	M11	S124030501SC	M3*5
L9	S170470301TN	M2.5*3	M12	S124030801SC	M3*8
L10	S170030201TN	M3*2	M13	S124030502TC	M3*5
L11	S170030301TN	M3*3	M14	S124030402SD	M3*4
L12	S170030401TN	M3*4	M15	S124030601SD	M3*6
L13	S170030501TN	M3*5	M16	S124040401SD	M4*4
L14	S170030601TN	M3*6	M17	S124030602SC	M3*6
L15	S170030801TN	M3*8	M18	S124030503SD	M3*5
L16	S170040301TN	M4*3	M19	S124031002SD	M3*10
L17	S170040401TN	M4*4	M20	S124041001SD	M4*10
L18	S170040501TN	M4*5	M21	S124051201SD	M5*12
L19	S170040601TN	M4*6			
L20	S170040602TN	M4*6 Half Threads	<b>N Screw with Washer</b>		
L21	S170040801TN	M4*8	N1	S660480601SE	M2.6*6
L22	S170041001TN	M4*10	N2	S660030601SE	M3*6
L23	S170041201TN	M4*12	N3	S660030801SE	M3*8
L24	S170050401TN	M5*4	N4	S660031001SE	M3*10
L25	S170050501TN	M5*5	N5	S660031501SE	M3*15
L26	S170050601TN	M5*6	N6	S660031601SE	M3*16
L27	S170050801TN	M5*8	N7	S660031801SE	M3*18
L28	S170051001TN	M5*10	N8	S660040601SE	M4*6
L29	S170051201TN	M5*12	N9	S660040801SE	M4*8
L30	S170051501TN	M5*15	N10	S660041001SE	M4*10
L31	S170060501TN	M6*5	N11	S660041201SE	M4*12
L32	S170060601TN	M6*6	N12	S660045501SE	M4*55
L33	S170060801TN	M6*8	N13	S660051001SE	M5*10
L34	S170061001TN	M6*10	N14	S660051201SE	M5*12
L35	S170061801TN	M6*18	N15	S660051401SE	M5*14
L36	S170080801TN	M8*8	N16	S660051801SE	M5*18
L37	S170081001TN	M8*10	N17	S660030801MZ	M3*8
L38	S170081501TN	M8*15	N18	S660030502MZ	M3*5
L39	S170031001TN	M3*10	N19	S660031502MZ	M3*15
L40	S170031201TN	M3*12	N20	S660030603S1	M3*6 (P-4)
L41	S170053001TN	M5*30	N21	S660030802S1	M3*8 (P-3)
L42	S170061201TN	M6*12	N22	S660030604S1	M3*6 (P-3)
L43	S174060601TN	M6*6B	N23	S660031802S1	M3*18 (P-3)
L44	S170050802TN	M5*8 Narrow Treading	N24	S660040602S1	M4*6 (P-3)
L45	S170050602TN	M5*6 Narrow Treading	N25	S660040802S1	M4*8 (P-3)
			N26	S660041002S1	M4*10 (P-3)
<b>M Hexagon Socket Head Button Screw</b>			N27	S660043001S1	M4*30 (P-3)
M1	S124030401SC	M3*4	N28	S660051002S1	M5*10 (P-3)
M2	S124040601SC	M4*6	N29	S660031803S1	M3*18 (P-4)
M3	S124040802SC	M4*8	N30	S660030505S1	M3*5 (P-4)
M4	S124040803SD	M4*8	N31	S660031504S1	M3*15 (P-4)
M5	S124051001SC	M5*10	N32	S660031002S1	M3*10 (P-4)
M6	S124051002SD	M5*10	N33	S660040803S1	M4*8 (P-4)
M7	S124051501SD	M5*15	N34	S660030504S1	M3*5 (P-3)

# N, P, R

No.	Part No.	Remark	No.	Part No.	Remark
<b>N</b> Screw with Washer			P42	S213100003SD	M10 With Disk Spring
N35	S660020401S1	M2*4 (P-4)	P43	S210120001SC	M12 Type 1
N36	S660031505S1	M3*15 (P-3)	P44	S212120001SC	M12 Type 3
N37	S660041202S1	M4*12 (P-3)	P45	S212120002SD	M12 Type 3
N38	S660480401S1	M2.6*4 (P-4)	P46	S210160001SD	M16 Type 1
N39	S660031003S1	M3*10 (P-3)	P47	S212160002SC	M16 Type 1
N40	S660031602S1	M3*16 (P-3)	P48	S212160001SD	M16 Type 3
			P49	S210200001SC	M20 Type 1
<b>P</b> Nut			P50	S212470001SC	M2.5 Type 3
P1	SB10730601CN	1/8*44*6*3	P51	SB12750701SC	11/64*7*2.2 Type 3
P2	SB10740601CL	9/64*40*6*2	P52	S211040001SD	M4 Type 2
P3	SB10740602CN	9/64*40*6*3	P53	SB12740601MZ	9/64*6*2 Type 3
P4	SB10750602CN	11/64*40*6*2	P54	SB10750601CN	11/64*6*2.2
P5	SB10750603CN	11/64*40*6*3	P55	S212030003SD	M3 Type 3
P6	SB10750701CN	11/64*40*7*3	P56	S217060001SD	M6 Cap
P7	SB11750701CN	11/64*40*7*3	P57	S217030001SD	M3 Cap
P8	S210420001XA	M1.6 Type 1	P58	S212200001SC	M20 Type 3
P9	S210020001SD	M2 Type 1	P59	S212160002SC	M16 Type 3
P10	S212020002SD	M2 Type 3	P60	SB10750702CN	11/64*7*2.2
P11	S210460002SD	M2.3 Type 1	P61	SB10740605CN	9/64*40*6*1.5
P12	S210470001MZ	M2.5 Type 1			
P13	S212480001SD	M2.6 Type 3	<b>R</b> Washer		
P14	S210030001MZ	M3 Type 1	R1	S301410301MZ	Plain M1.4*3*t0.3
P15	S210030002SC	M3 Type 1	R2	S301020351XZ	Plain M2*3.5*t0.5
P16	S210030003SD	M3 Type 1	R3	S301020431SD	Plain M2*4.3*t0.3
P17	S215030001SD	M3 Thumbscrew Type 2	R4	S301480501XB	Plain M2.6*5*t0.5
P18	S212030001SC	M3 Type 3	R5	S301480751XB	Plain M2.6*7.5*t0.5
P19	S212030002SD	M3 Type 3	R6	S301030602XZ	Plain M3*6*t0.3
P20	S212530001SC	M3.5 Type 3	R7	S301030603SC	Plain M3*6*t0.5
P21	S210040001SC	M4 Type 1	R8	S301030601SD	Plain M3*6*t0.5
P22	S210040002SD	M4 Type 1	R9	S301030701SD	Plain M3*7*t0.5
P23	S212040001SC	M4 Type 3	R10	S301030804SD	Plain M3*8*t0.3
P24	S212040002SD	M4 Type 3	R11	S301030805MZ	Plain M3*8*t0.5
P25	S217040001SD	M4 Cap	R12	S301030801SC	Plain M3*8*t0.5
P26	S210050001SC	M5 Type 1	R13	S301030802SD	Plain M3*8*t0.5
P27	S210050002SD	M5 Type 1	R14	S301030803SD	Plain M3*8*t1
P28	S212050001SC	M5 Type 3	R15	S301040805SC	Plain M4*8*t0.5
P29	S212050002SD	M5 Type 3	R16	S301040802SD	Plain M4*8*t0.5
P30	S217050001SD	M5 Cap	R17	S301040804SC	Plain M4*8*t0.8
P31	S210060001SC	M6 Type 1	R18	S301040803SD	Plain M4*8*t0.8
P32	S210060002SC	M6 Type 1 (Left)	R19	S301041004MZ	Plain M4*10*t0.8
P33	S210060003SD	M6 Type 1	R20	S301041002SC	Plain M4*10*t0.8
P34	S210060004SD	M6 Type 1 (Left)	R21	S301041003SD	Plain M4*10*t0.8
P35	S212060001SC	M6 Type 3	R22	S301041201SC	Plain M4*12*t1
P36	S210080001SC	M8 Type 1	R23	S301051002SC	Plain M5*10*t0.8
P37	S210080002SD	M8 Type 1	R24	S301051003SD	Plain M5*10*t0.8
P38	S212080001SC	M8 Type 3	R25	S301051204MZ	Plain M5*12*t0.8
P39	S212080002SD	M8 Type 3	R26	S301051202SC	Plain M5*12*t0.8
P40	S210100001SC	M10 Type 1	R27	S301051203SD	Plain M5*12*t0.8
P41	S213100002SD	M10 With Flange	R28	S301061102SC	Plain M6*11*t1.6

# R

No.	Part No.	Remark	No.	Part No.	Remark
<b>R</b>	<b>Washer</b>		<i>R78</i>	<b>S304060002SD</b>	<b>With teeth M6</b>
<i>R29</i>	<b>S301061151SC</b>	<b>Plain M6*11.5*t0.8</b>	<i>R79</i>	<b>S304040852TP</b>	<b>With teeth M4 Outward</b>
<i>R30</i>	<b>S301061301SC</b>	<b>Plain M6*13*t1.0</b>	<i>R80</i>	<b>S301041202SD</b>	<b>Plain M4*12*t1.0</b>
<i>R31</i>	<b>S301061302SD</b>	<b>Plain M6*13*t1.0</b>	<i>R81</i>	<b>S301040901EZ</b>	<b>Plain M4*9*t0.3</b>
<i>R32</i>	<b>S301061601SC</b>	<b>Plain M6*16*t1.0</b>	<i>R82</i>	<b>S301051207EZ</b>	<b>Plain M5*12*t1.0</b>
<i>R33</i>	<b>S301081601SD</b>	<b>Plain M8*16*t1.2</b>	<i>R83</i>	<b>S301122601SD</b>	<b>Plain M12*26*t2.3</b>
<i>R34</i>	<b>S301081801SC</b>	<b>Plain M8*18*t1.6</b>	<i>R84</i>	<b>S402120002KD</b>	<b>Spring M12</b>
<i>R35</i>	<b>S301081802SD</b>	<b>Plain M8*18*t1.6</b>			
<i>R36</i>	<b>S301081803SC</b>	<b>Plain M8*18*t3.2</b>			
<i>R37</i>	<b>S301082201SC</b>	<b>Plain M8*22*t3.2</b>			
<i>R38</i>	<b>S301102201SC</b>	<b>Plain M10*22*t1.6</b>			
<i>R39</i>	<b>S301102601SC</b>	<b>Plain M10*26*t3.2</b>			
<i>R40</i>	<b>S301102602SD</b>	<b>Plain M10*26*t3.2</b>			
<i>R41</i>	<b>S301122051SC</b>	<b>Plain M12*20.5*t2</b>			
<i>R42</i>	<b>S301163201SD</b>	<b>Plain M16*32*t2.5</b>			
<i>R43</i>	<b>S402020001KD</b>	<b>Spring M2</b>			
<i>R44</i>	<b>S402480001KC</b>	<b>Spring M2.6</b>			
<i>R45</i>	<b>S402030001KC</b>	<b>Spring M3</b>			
<i>R46</i>	<b>S402030002KD</b>	<b>Spring M3</b>			
<i>R47</i>	<b>S402530001KC</b>	<b>Spring M3.5</b>			
<i>R48</i>	<b>S402040001KC</b>	<b>Spring M4</b>			
<i>R49</i>	<b>S402040002KD</b>	<b>Spring M4</b>			
<i>R50</i>	<b>S402050001KC</b>	<b>Spring M5</b>			
<i>R51</i>	<b>S402050002KD</b>	<b>Spring M5</b>			
<i>R52</i>	<b>S402050003MZ</b>	<b>Spring M5</b>			
<i>R53</i>	<b>S402060001KC</b>	<b>Spring M6</b>			
<i>R54</i>	<b>S402060002KD</b>	<b>Spring M6</b>			
<i>R55</i>	<b>S402080001KC</b>	<b>Spring M8</b>			
<i>R56</i>	<b>S402080002KD</b>	<b>Spring M8</b>			
<i>R57</i>	<b>S402100001KC</b>	<b>Spring M10</b>			
<i>R58</i>	<b>S402100002KD</b>	<b>Spring M10</b>			
<i>R59</i>	<b>S402120001KC</b>	<b>Spring M12</b>			
<i>R60</i>	<b>S305041101TP</b>	<b>Wave M4</b>			
<i>R61</i>	<b>S305051001TN</b>	<b>Wave M5</b>			
<i>R62</i>	<b>S305061051TN</b>	<b>Wave M6</b>			
<i>R63</i>	<b>S304040851TP</b>	<b>With teeth M4</b>			
<i>R64</i>	<b>S304051001TP</b>	<b>With teeth M5</b>			
<i>R65</i>	<b>S306080001SC</b>	<b>Slant M8</b>			
<i>R66</i>	<b>S303040801SC</b>	<b>Disk Spring M4</b>			
<i>R67</i>	<b>S301041005EZ</b>	<b>Plain M4*10*t0.8</b>			
<i>R68</i>	<b>S301470252MZ</b>	<b>Plain M2.5*5*t0.5</b>			
<i>R69</i>	<b>S301030605SD</b>	<b>Plain M3*6*t1.0</b>			
<i>R70</i>	<b>S301030604MZ</b>	<b>Plain M3*6*t0.5</b>			
<i>R71</i>	<b>S305051101TN</b>	<b>Wave M5</b>			
<i>R72</i>	<b>S301470253SD</b>	<b>Plain M2.5*5*t0.5</b>			
<i>R73</i>	<b>S301470251SC</b>	<b>Plain M2.5*5*t0.5</b>			
<i>R74</i>	<b>S305101451TN</b>	<b>Wave M10</b>			
<i>R75</i>	<b>S304080001TP</b>	<b>With teeth M8</b>			
<i>R76</i>	<b>S301061152SD</b>	<b>Plain M6*11.5*t0.8</b>			
<i>R77</i>	<b>S301122601SC</b>	<b>Plain M12*26*t2.3</b>			

**1st Edition** July, 2017  
**2nd Edition** November, 2017

■ **Manufactured by:**  
**Tokai Industrial Sewing Machine Co., Ltd.**

NO.1800, Ushiyama-cho, Kasugai, Aichi-pref., 486-0901, Japan  
Telephone:568-33-1161 Fax:568-33-1191

■ **Distributed by:**  
**Tajima Industries Ltd.**

19-22, Shirakabe, 3-chome, Higashi-ku, Nagoya, 461-0011, Japan  
Telephone:52-932-3444 Fax:52-932-2457

●Copy, reprint, or reform of a part or whole of this manual without permission is prohibited.

## ***THE TAJIMA GROUP***

<http://www.tajima.com>

### **Tajima Industries Ltd.**

19-22, Shirakabe, 3-chome, Higashi-ku, Nagoya, 461-0011, JAPAN  
TEL.81-52-932-3811 FAX.81-52-932-3815

### **Tokai Industrial Sewing Machine Co.,Ltd.**

NO.1800, Ushiyama-cho, Kasugai, Aichi-pref., 486-0901, JAPAN  
TEL.81-568-33-1161 FAX.81-568-33-1191