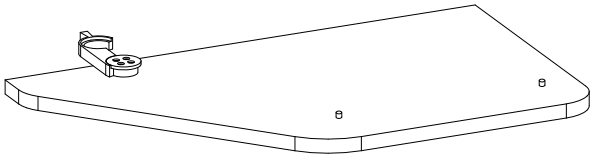


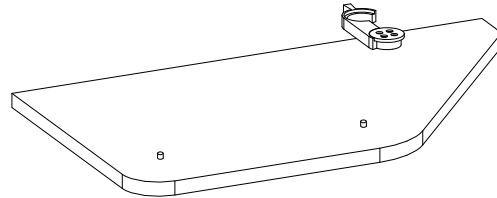
LIFT TABLE EXTENSION KIT CONTENTS LIST

NOTE: LAY OUT ALL PARTS TO CONFIRM ALL ITEMS ARE AVAILABLE FOR ASSEMBLY.

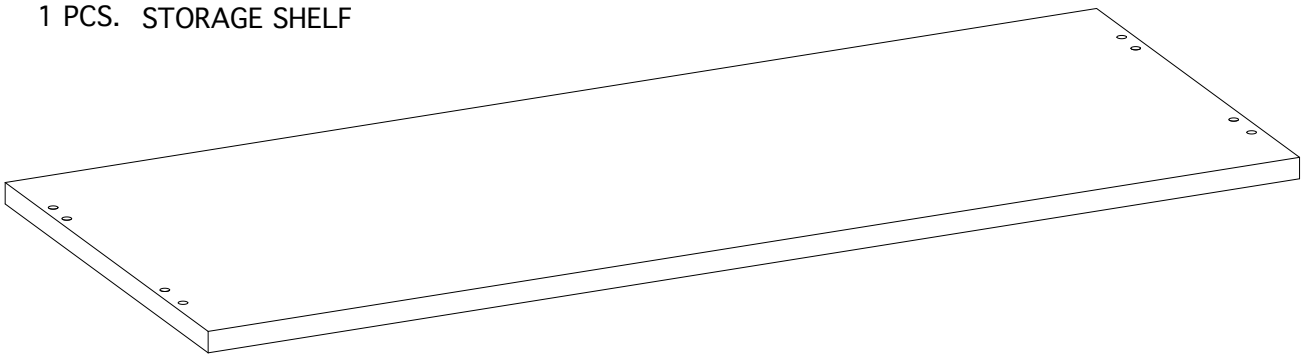
1 PCS. RIGHT DRAWER EXTENSION PLATFORM



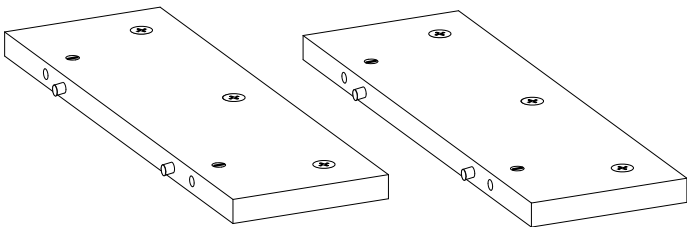
1 PCS. LEFT DRAWER EXTENSION PLATFORM



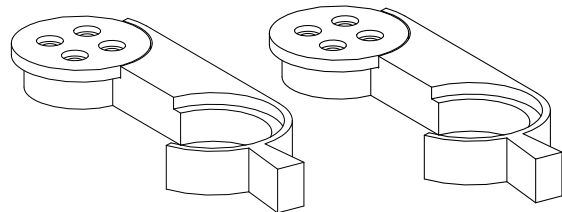
1 PCS. STORAGE SHELF



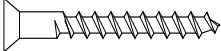
2 PCS. SHELF SIDE

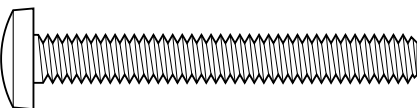


2 PCS. SWIVEL CLAMP



SCREWS AND CONNECTORS

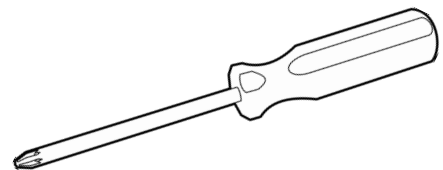
8 PCS. #6 X 1 1/8" FH 

4 PCS. 1/4 20 X 2" PH 

6 PCS. TWIST CAM PIN 

TOOLS NEEDED TO ASSEMBLE NOT INCLUDED

#2 PHILLIPS SCREWDRIVER



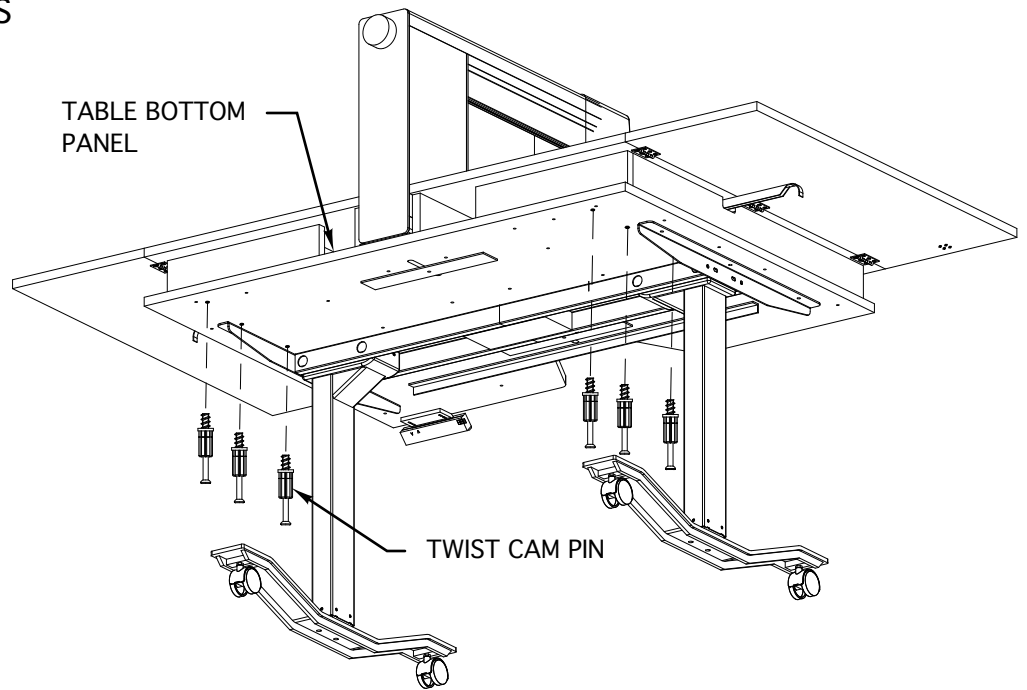
LIFT TABLE EXTENSION KIT ASSEMBLY INSTRUCTIONS

VIEW OF BACK OF TABLE

FIGURE #1

1. INSTALL TWIST CAM PINS

From back side of table locate 6- 5mm holes on table bottom panel. Install 6- Twist Cam Pins using #2 Phillips Screwdriver as shown in Figure #1



VIEW OF BACK OF TABLE

FIGURE #2

2. INSTALL SHELF SIDES

Slide Shelf side onto Twist Cam Pins and with #2 Phillips Screwdriver turn twist cam clockwise until tight. Note: Make sure Twist Cams on Shelf Side are facing center of table as shown in Figure #2. If Shelf Side will not slide onto Twist cam pin refer to Figure #2-B below.

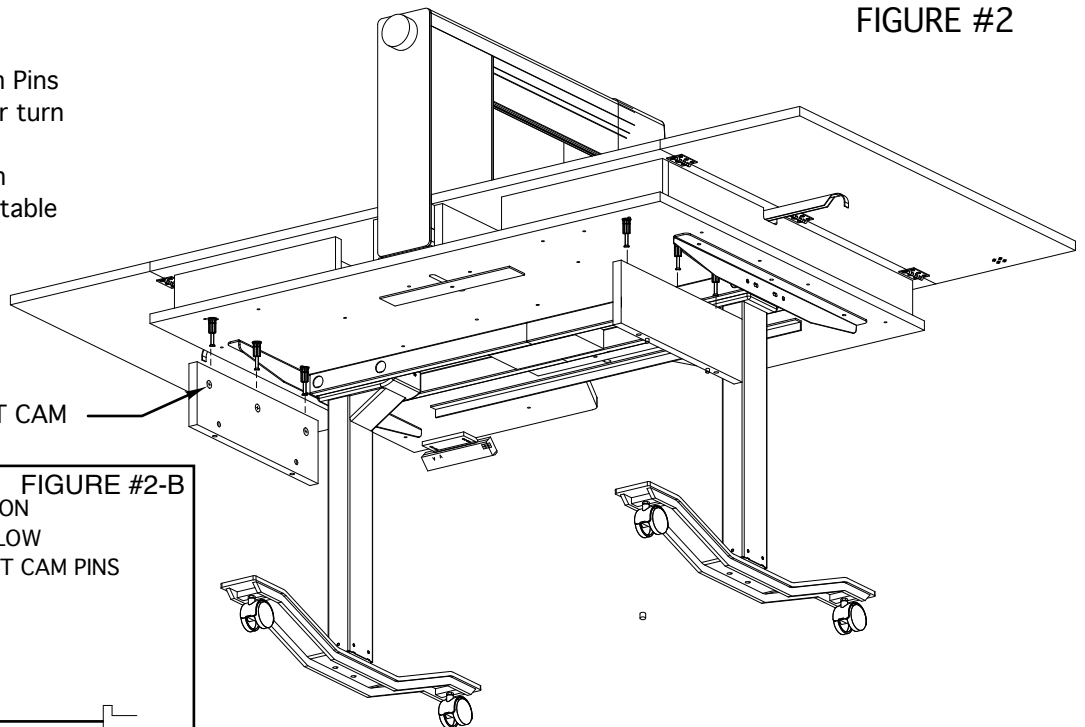
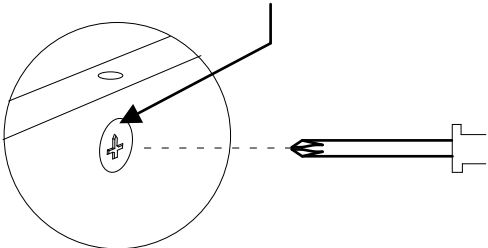


FIGURE #2-B

NOTE: MAKE SURE ARROW POINT ON CAM LOCK IS POINTING UP TO ALLOW FOR PROPER ALIGNMENT ON TWIST CAM PINS



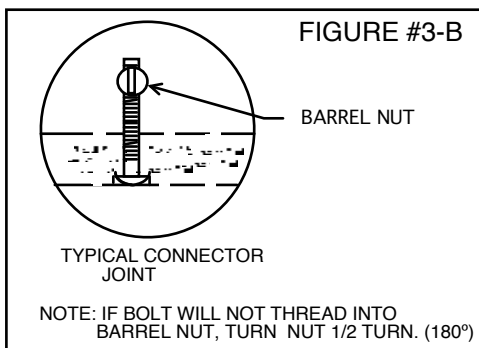
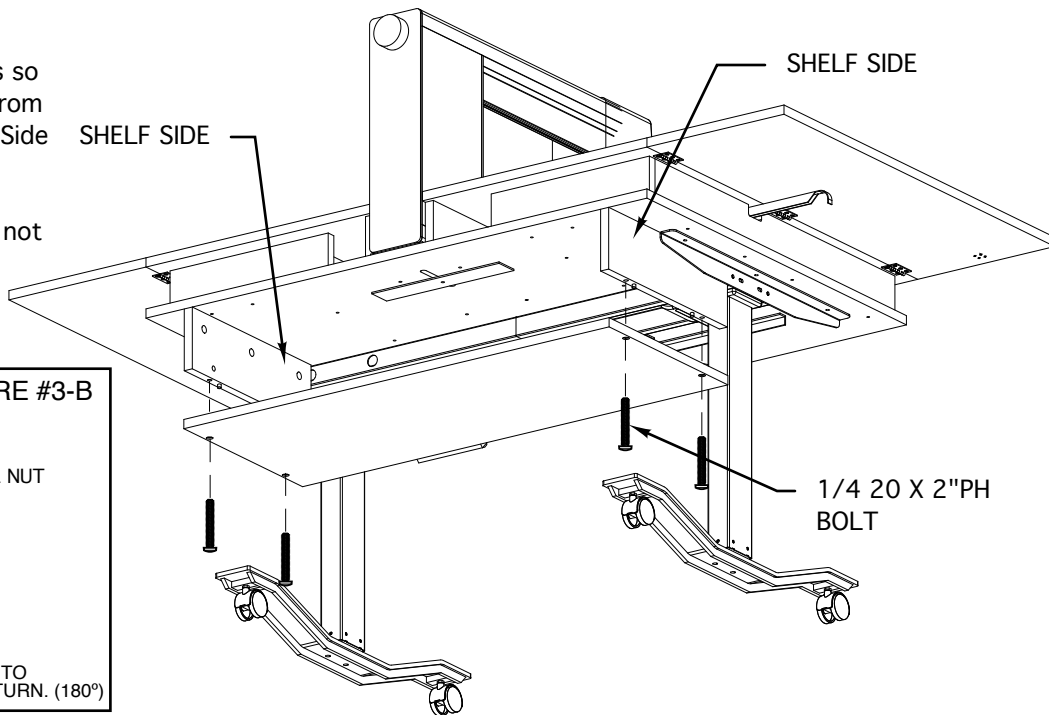
LIFT TABLE EXTENSION KIT ASSEMBLY INSTRUCTIONS

3. INSTALL SHELF

Position Shelf under Shelf Sides so only 4 bolt holes can be seen from bottom. Secure Shelf to Shelf Side using 4- 1/4 20 X 2" PH bolts with #2 Phillips Screwdriver as shown in Figure #3. If bolt will not thread in refer to Figure #3-B

VIEW OF BACK OF TABLE

FIGURE #3

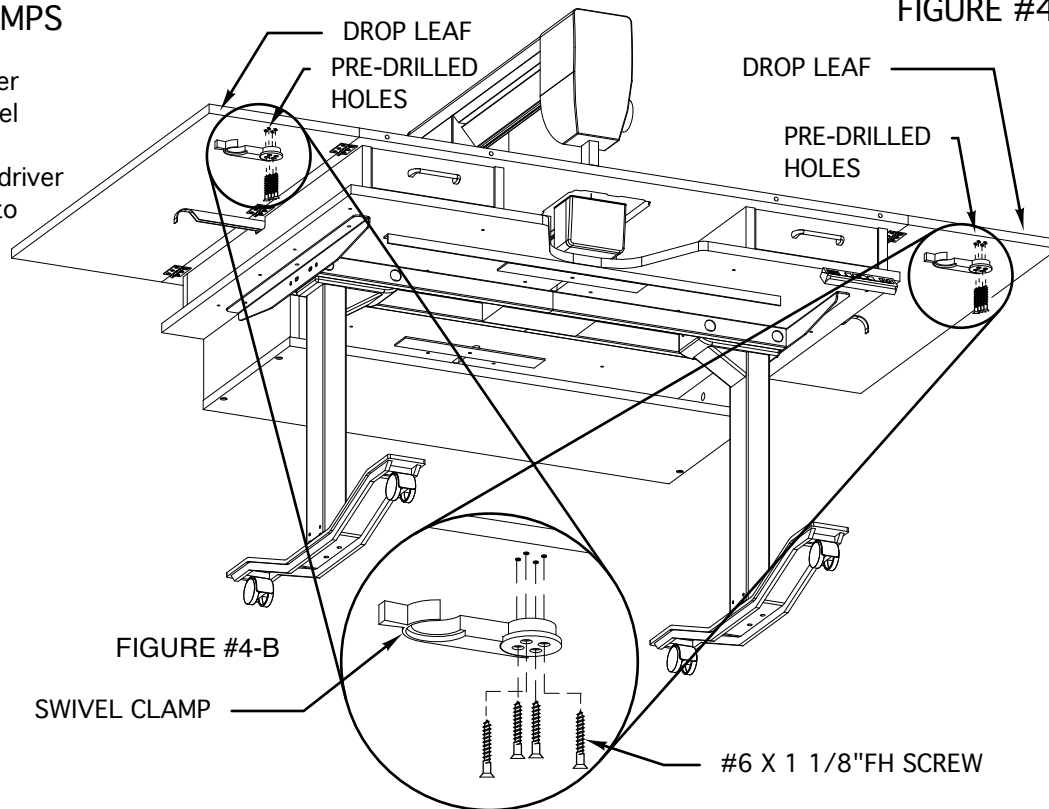


4. INSTALL SWIVEL CLAMPS

Locate 4-Pre-drilled Holes under each Drop Leaf. Install 1-Swivel Clamp with 4- #6 X 1 1/8"FH screws using #2 Phillips Screwdriver as shown in Figure #4. Refer to Figure #4-B for detail view.

VIEW OF FRONT OF TABLE

FIGURE #4



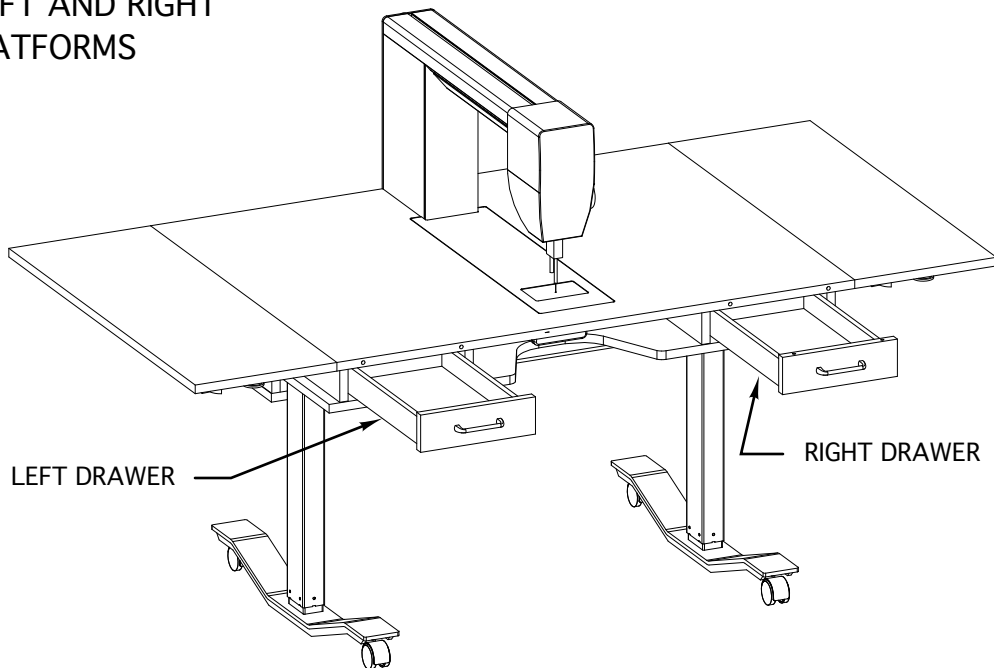
LIFT TABLE EXTENSION KIT ASSEMBLY INSTRUCTIONS

VIEW OF FRONT OF TABLE

FIGURE #5

5. PREPARE TO INSTALL LEFT AND RIGHT DDAWER EXTENSION PLATFORMS

Pull out both Left and Right
Drawers as shown in
Figure #5.

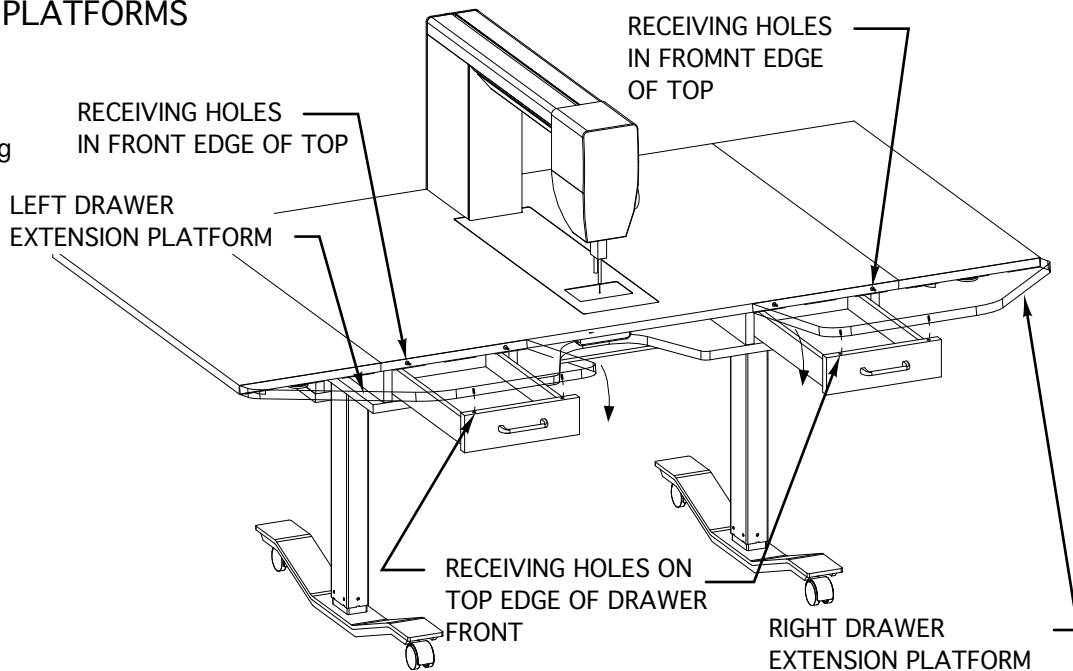


6. INSTALLING LEFT AND RIGHT DRAWER EXTENSION PLATFORMS

VIEW OF FRONT OF TABLE

FIGURE #6

Align pins on back edge of
Left and Right Drawer
Extension Platforms to Receiving
Holes on Front Edge of Top.
Lower Left and Right Drawer
Extension Platforms onto
drawer front while aligning
pins to Receiving Holes on
Top Edge of Drawer Front
as shown in figure #6. The
drawer extension platforms fit
tightly into receiver holes.
When installing use fingers to
pull on drawer face and thumbs
to push back and down on
drawer extension platform
until pins go into place.



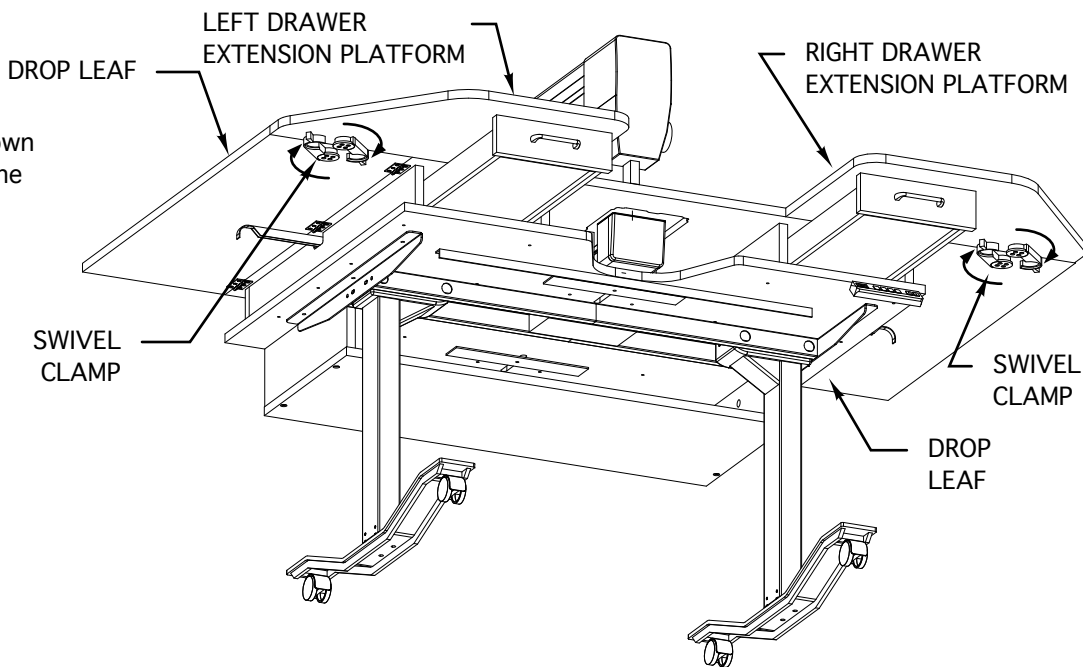
LIFT TABLE EXTENSION KIT ASSEMBLY INSTRUCTIONS

7. CONNECT SWIVEL CLAMPS

VIEW OF FRONT OF TABLE

FIGURE #7

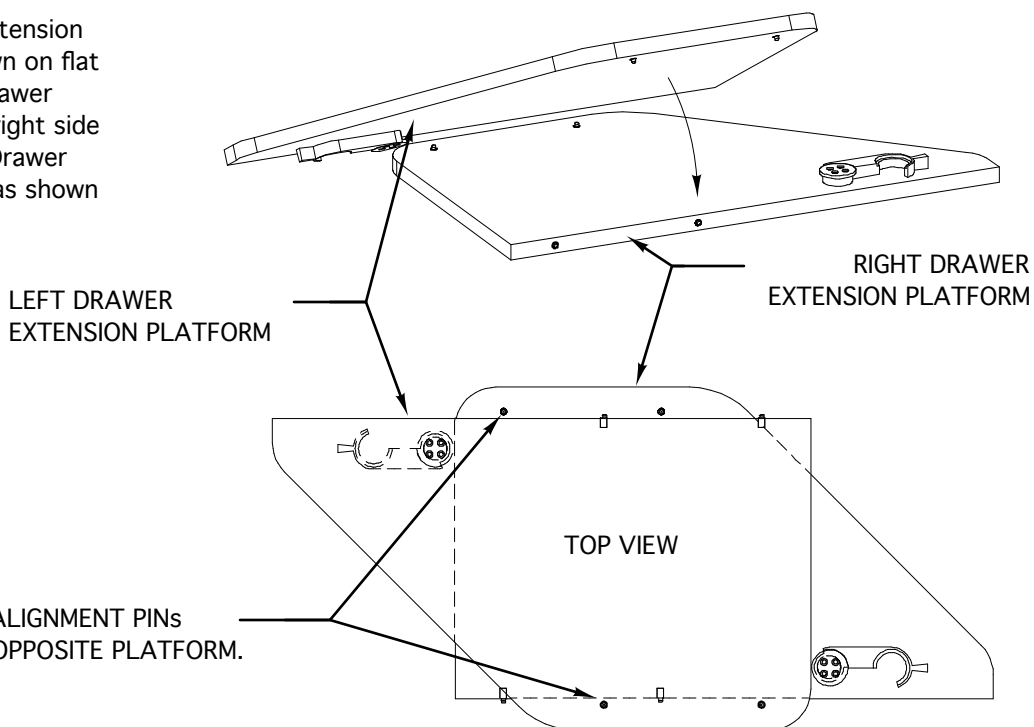
Rotate Swivel Clamps clockwise until each one snaps into position as shown in Figure #7. This locks the Drop Leaf to the Left and Right Drawer Extension Platforms.



6. STORING LEFT AND RIGHT DRAWER EXTENSION PLATFORMS

FIGURE #8

Lay Right Drawer Extension Platform upside down on flat surface. Lay Left Drawer Extension Platform right side up on top of Right Drawer Extension Platform as shown in Figure #8.



NOTE THAT VERTICAL ALIGNMENT PINS ARE CLEAR OF HITTING OPPOSITE PLATFORM.