

Garage Vac

by **interVac**
DESIGN CORP

RECORD THIS INFORMATION FOR
FUTURE REFERENCES

MODEL NUMBER _____

DATE OF PURCHASE _____

PLACE OF PURCHASE _____

Manual # W498, rev: 3/18/10

MODEL GF-120 (230)

FOR RECESS/FLUSH MOUNTING IN A
WALL OR CABINET



MODEL GH-120 (230)

FOR SURFACE MOUNTING ON WALL
OR CABINET



IF YOU SHOULD HAVE ANY QUESTIONS OR EXPERIENCES A PROBLEM WITH YOUR INTERVAC PRODUCT, DO NOT RETURN THIS PRODUCT TO THE STORE OR DEALER PLEASE CALL OUR CUSTOMER SERVICE DEPT. AT: 1-888-499-1925

WARNING: Owner read carefully.

This manual must be read and understood before installation, adjustment, service or maintenance is performed. This unit should be installed by a qualified technician.

Modification of this product can be extremely hazardous and could result in personal injury or property damage. Instructions must stay with unit.



InterVac Design Corp., Palm City, FL 34990
Phone 772-463-1400 • USA & Canada toll free 888-499-1925
www.garagevac.com • e-mail: info@garagevac.com

c  US LISTED



RoHS AS/NZS

IMPORTANT SAFETY INSTRUCTIONS



Polarization Instructions for models GH120 volt only.

These appliances have a polarized plug (one blade is wider than the other). This plug will fit in a polarized outlet only one way. If the plug does not fit fully in the outlet, reverse the plug. If it still does not fit, contact a qualified electrician to install the proper outlet. Do not change the plug in any way.

When using an electrical vacuum cleaner, basic precautions should always be followed including the following: Read all instructions carefully before using this vacuum cleaner.

WARNING: TO REDUCE THE RISK OF FIRE, ELECTRIC SHOCK, OR INJURY:

1. Unplug from electrical outlet when not in use and before servicing.
2. Do not use on wet surfaces.
3. Never operate this vacuum cleaner without a dust bag and filters in place.
4. Close attention is necessary when used by or near children. Do not allow unit to be used as a toy.
5. Use only for intended use as described in this manual. Use only the manufacturer's recommended attachments and dust bag.
6. Do not use with damaged cord or plug. If appliance is not working as it should, has been dropped, damaged, left outdoors, or fell into water, return the vacuum cleaner to InterVac or an authorized service dealer for examination and repair.
7. Do not put any object into openings. Do not use with any openings blocked; keep free of dust, lint, hair and any other material that may reduce air flow. If the secondary filter becomes dirty, rinse in warm water or replace with a new filter. Filter should be completely dry before using.
8. Never drop or insert any object into any opening.
9. Turn off all controls before unplugging.
10. Do not pull or carry by cord, do not use cord as a handle, do not close a door on the cord, or pull cord around sharp edges or corners. Do not run over cord. Keep cord away from heated surfaces.
11. Do not unplug by pulling on cord. To unplug, grasp the plug, not the cord.
12. Keep hair, loose clothing, fingers, and all parts of body away from any openings and all moving parts.
13. Do not pick up anything that is burning or smoking, such as cigarettes, matches, or hot ashes.
14. Use extra caution when cleaning on stairs.
15. Do not handle plug or appliance with wet hands.
16. Do not pick up flammable or combustible liquids such as gasoline, or use in areas where they may be present.
17. Do not place objects against the vacuum cleaner. Keep area clear.
18. Do not step on the hose or pull the hose forcibly.
19. Do not pick up large objects such as waste paper or cloth, which may clog the hose.
20. Do not install this vacuum cleaner in an area exposed to high temperatures.
21. Install this vacuum cleaner in a dry place.
22. Do not attempt to service the vacuum cleaner. Unit is sealed and cannot be opened without damage to the unit. For service, call your local authorized service dealer, or InterVac Design's Customer Care Center.

SAVE THESE INSTRUCTIONS LIMITED WARRANTY

InterVac Design Corp. will repair the power unit with new or rebuilt parts, free of charge for six (6) years from the date of original purchase in the event of a defect in materials or workmanship. No cash refunds. Excluded are the following items that require normal replacement:

Disposable dust bags, filters, vacuum cleaner tools and vacuum hoses.

This warranty is extended only to the original purchaser. A purchase receipt or other proof of date of original purchase will be required before warranty performance is rendered.

You must return your warranty card or register on our website in order to be covered under these provisions.

This warranty only covers failures due to defects in materials or workmanship which occurs during normal use and does not cover damage which occurs in shipment or failures which are caused by products not supplied by InterVac Design, or failures which result from accident, misuse, abuse, neglect, mishandling, misapplication, alteration, modification, or commercial use such as hotel, office, restaurant or rental use of the product, or service by anyone other than an authorized service center, or damage that is attributable to acts of God.

There are no expressed warranties except as listed above.

LIMITS AND EXCLUSIONS:

INTERVAC DESIGN SHALL NOT BE LIABLE FOR INCIDENTAL OR CONSEQUENTIAL DAMAGES RESULTING FROM THE USE OF THIS PRODUCT, OR ARISING OUT OF ANY BREACH OF THIS WARRANTY. ALL EXPRESSED AND IMPLIED WARRANTIES, INCLUDING THE WARRANTIES OF MERCHANTABILITY AND FITNESS FOR A PARTICULAR PURPOSE, ARE LIMITED TO THE APPLICABLE WARRANTY PERIOD SET FORTH ABOVE.

Some states do not allow the exclusion or limitation of incidental or consequential damages or limitations on how long an implied warranty lasts, so the above exclusions or limitations may not apply to you. This warranty gives you specific legal rights that vary from state to state. If a problem with this product develops during or after the warranty period, you may contact your dealer or our service center. If the problem is not handled to your satisfaction, then write to the Customer Service Center at the company address.



MODEL: GH-120 and GH220

Specification: 120 Volt, 11 Amp 50/60Hz, Weight 9 lb
230/240 Volt, 6 Amp, 50/60 Hz

Parts List:

Tool Caddy	#B051	Wand Holder	#X153
Hose Retainer	#B052	2 high filtration dust bags	#Y08
Floor Tool	#X404	Paper Template	W600 see page 11
Dash Board Brush	#X251	3 dry-wall anchors	
Upholstery Tool	#X300	1 red push pin	
Crevice Tool	#X200	6 #8 screws	
Telescoping Wand	#X154	40" Stretch Hose	

Surface mounting to Wood

- Step 1a.** For maximum coverage, choose a wall or surface that is centrally located and has an electrical outlet close by.
- Step 2a.** Remove paper template from the back page of the instruction manual and tape to the wall or surface from step 1. GarageVac must be installed a minimum of 6 inches from the floor. Mark the centers of the keyholes **very accurately** with an awl or similar object. Carefully remove template from the wall and place it with the manual for future reference .
- Step 3a.** Attach four of the #8 screws to the wall as marked on the template leaving the screw heads 1/8" from the surface of the wall.
- Step 4a.** To insure the screws are in the proper place, install GarageVac **without** the tool caddy attached by aligning the keyholes on the back of the unit with the screw heads on the wall and push down on the GarageVac to secure it in place. If the vacuum cleaner is loose you will need to tighten the screws further.
- Step 5a.** Remove GarageVac from the wall and attach the tool caddy by sliding the "dove tails" on the bottom of the caddy into the grooves on top of the unit. You will hear a click when the pin on top of the unit clicks into the corresponding hole on the tool caddy. Install the GarageVac with the tool caddy onto the screw heads as described in Step 4.
- Step 6a.** Place the hose retainer on the front of GarageVac by attaching first the double sided tape to the retainer, watch-out that the radii match the retainer radii, and press-on firmly.
- NOTE:** **The hose retainer will fit onto the front panel only if you can read the 'Warning' impression correctly.**
- Step 7a.** Check to be sure the dust bag and motor filter (located under the dust bag) are in place. The motor filter should be laying flat in all four corners.

Surface mounting to Drywall (1/2 thick) Surfaces: (see Fig.: A)

- Step 1b.** For maximum coverage, choose a wall or surface that is centrally located and has an electrical outlet close by.
- Step 2b.** Remove paper template from the back page of the instruction manual and tape to the wall or surface from step 1. GarageVac must be installed a minimum of 6 inches from the floor. Align the template so that 2 vertical center points of the template are aligned with center of a 2x4 stud behind the dry-wall for additional stability.
- Step 3b.** With an awl or similar pointed object mark the center of the key holes **accurately**. Carefully remove template from the wall and place with the manual for future reference.
- Step 4b.** Using a 3/32 drill bit, pre-drill all 4 holes.
- Step 5b.** Use a 5/16 drill bit to enlarge only the 2 holes which go through the dry-wall without stud support. These are the holes that require drywall anchors.
- Step 6b.** Squeeze the two arms of the plastic anchor together and insert through the hole. **Very lightly** hammer the anchor flush with the dry-wall surface.
- Step 7b.** Insert the red key-pin and push firmly to toggle the anchor open behind the dry-wall. Remove red pin.
- Step 8b.** Attach all four #8 screws through the marked keyholes. Keep the screw heads 1/8" from the wall surface.
Follow steps 4a through 7a above.

**MODEL:
GH-120 volt
GH-230 volt**

Fig: A

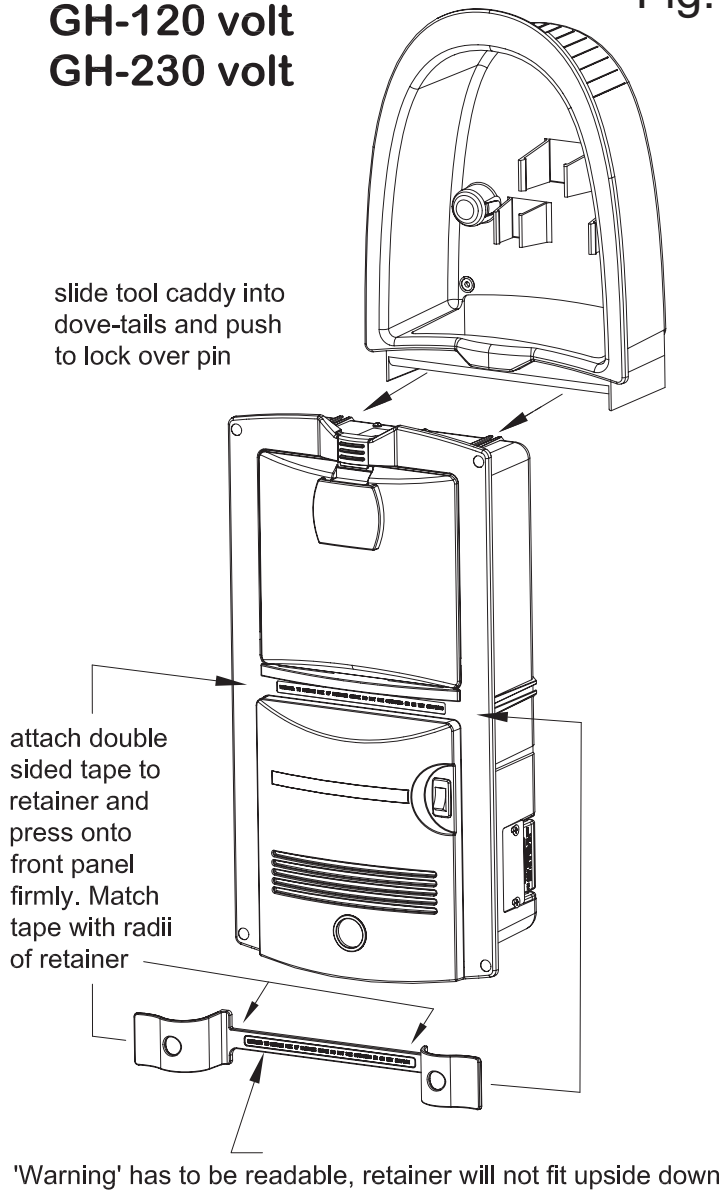
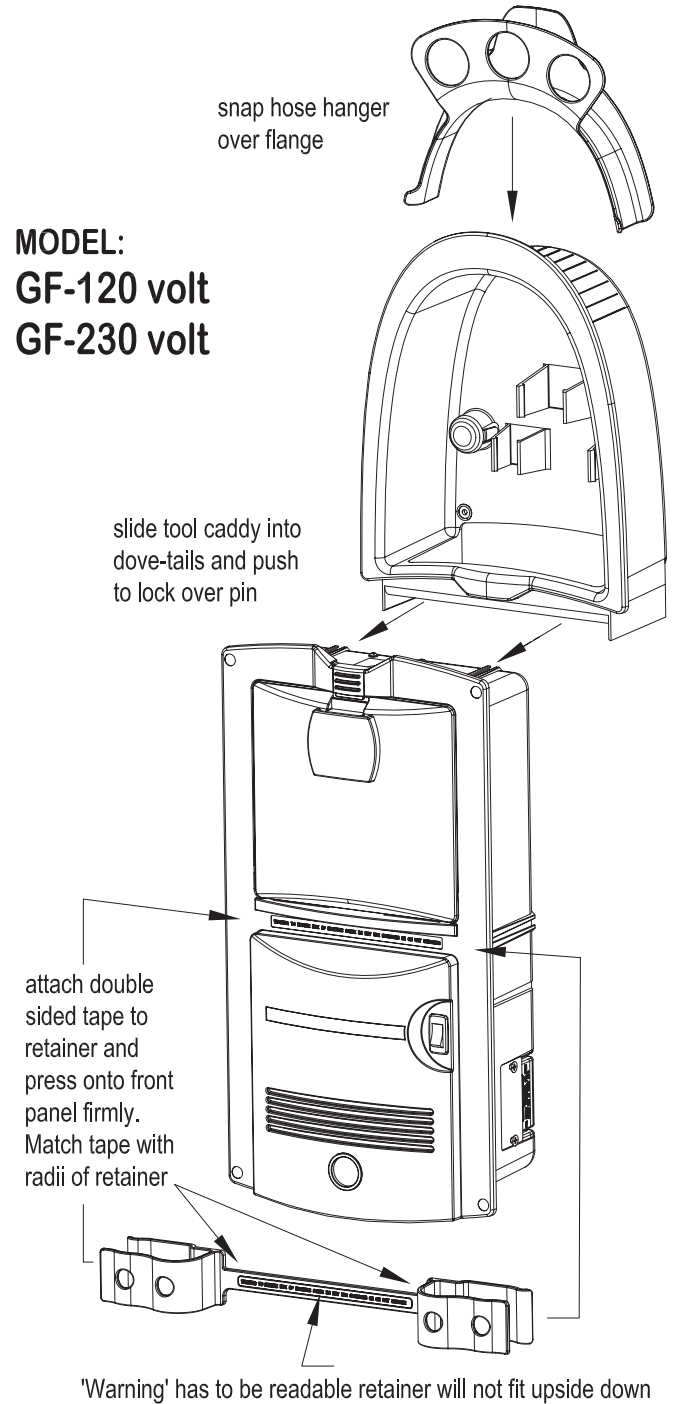


Fig: B



WAND HOLDER Installation:



1: for wood surface use the 2 screws supplied with the wand holder package.

2: for dry-walls use two 1-1/2 long screws from the fastener package. NOTE: the wand holder should be mounted against a wall stud for extra strength.

MODEL: GF-120 and GF220

Specification: 120 Volt, 11 Amp 50/60Hz, Weight 9 lb
230/240 Volt, 6 Amp, 50/60 Hz

Parts List:

Tool Caddy #B051
Floor Tool #X404
Crevice Tool #X200
2 Dry-wall Anchor, 1 Red Push Pin
40" Stretch Hose
22" long Wood Strip

Hose Hanger #B055
Dash Board Brush #X251
Telescoping Wand #X154
6x #8 Screws
Paper Template #W605
3 Wire Connectors

Hose Retainer #B053
Upholstery Tool #X300
Wand Holder #X153
2 Dust Bags #Y08
Double Side Tape

GROUNDING INSTRUCTIONS for GF-120 volt only , WHEN PERMANENTLY WIRED

This appliance must be connected to a grounded metal, permanent wiring system; or an equipment-grounding conductor must be run with the circuit conductors and connected to the equipment-grounding terminal or lead on the appliance.

WARNING: Disconnect all electrical power to the wall area before installing!

Do not drill near studs where electrical cable may be secured to studs adjacent to receptacles.

Note: The four mounting holes in the outer corners of the flange of the Vacuum Cleaner must be drilled from the back of the unit with a 3/16" drill bit when the unit is to be recessed into a wall.

To reach with the vacuum hose as far as possible, choose a wall or surface that is centrally located and has an electrical outlet or switch from a 16 amp circuit breaker. Make sure the wall is hollow and there are no pipes or other obstructions in the section you choose.

TIP: Find a place that is close to the garage door so that you can clean your car in the drive way as well as inside the garage. After you cut the hole for the vacuum you may prefer to paint the back wall inside the opening with a color matching the vacuum.

Recessed (flush) installation into Drywall: (see Fig.: B)

We recommend that the vacuum cleaner be mounted against the side of a wall stud for added stability.

TIP: Drywall installation: with a 3" dia. hole saw, cut a hole first and check for obstructions! It is easier to re-plaster the 3" dry-wall slug than a large cut-out if you do encounter an obstruction.

Step 1 The vacuum cleaner should be mounted to the side of a wall stud for added stability. Make sure **NO** electrical switches or outlets are on the installation side of the 2X4, because the body of the vacuum cleaner will be tight against the stud when installed. **TIP:** Having the power supply in the same cavity of the cut-out will shorten installation time.

Step 2. Tape the template against the wall at a comfortable operating height, keep the exhausting air of the vacuum clear

Step 3. Refer to the paper template # **W605** for the cut-out.

Step 4. Install 14 or 16 gage(1.0mm) AWG, 300V minimum Romex cable (use wires rated for at least 95C) from the electrical power supply and pull the power cable through the wall cut-out.

Step 5. a) Open the 2 3/4" x 1 3/8" side cover and pull the 3 inside wires through the opening.

b) **North American installations,** Insert your 120 volt power supply cable through the Romex clamp and out through the side opening.

c) With 3 wire nuts connect **black to black , white to white** and **green to bare ground conductor** wires. **European installations,** (230/240 volt) do not require a ground wire, connect the power cable to the terminal block inside the housing. The vacuum cleaner is **double** insulated.

d) Tighten the Romex clamp or insert with a pair of plier the plastic clamp and replace the side cover.

Step 6. Slide the unit, bottom first, into the opening and secure with the four screws.

Use 2 screws for the 2X4 and 2 screws for the 2 anchors. Do not over-tighten.

Step 7. Attach the hose retainer to the front of GarageVac by removing the protective paper from the double sided tape and press-on firmly.

NOTE: **The hose retainer will fit onto the front panel only if you can read the 'Warning' impression correctly.**

Step 8. Check to be sure dust bag and motor filter (under dust bag) are in place.

The motor filter has to lay flat in all 4 corners, please check.

Recessed into Wood Surface Installation: (see Fig.: B)

Same procedure as above, but do not use the drywall anchors. Pre-drill the 4 outer holes 3/32 dia. and secure vacuum cleaner with the 4 painted screws.

HOW TO OPERATE YOUR



InterVac Design Corporation Palm City, Florida, 34990
in North America toll free 1-888-499-1925
e-mail: info@garagevac.com • Website: www.garagevac.com

NOTE: THE LOWER PART OF THE VACUUM CLEANER WILL BE QUITE WARM WHEN IN USE.

IF THE VACUUM STOPS RUNNING DUE TO OVERHEATING: turn the switch to “O” position
THE THERMAL PROTECTOR ON THE MOTOR WILL RESET AUTOMATICALLY AFTER ABOUT 1-1/2 HOURS.
PLEASE SEE TROUBLE SHOOTING GUIDE.

A. Connecting and disconnecting the hose.

1. Lift the inlet valve cover on the front of the door.
2. Insert hose cuff with a **twist and a firm push** to secure.
3. To remove, turn hose in either direction while pulling hose towards you.

B. On / Off Switch

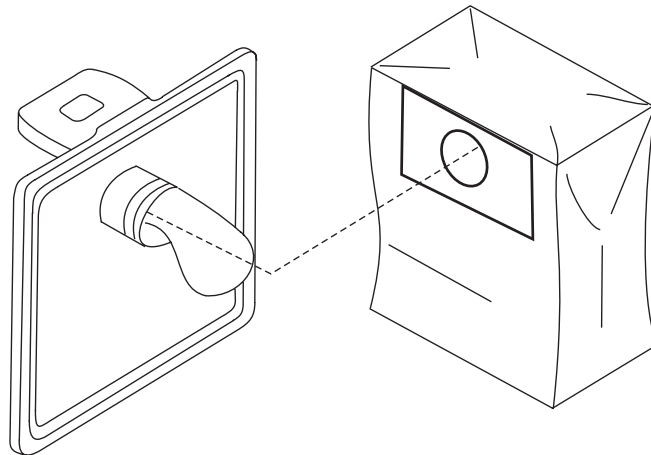
1. To start the vacuum cleaner, push the switch to the “I” position.
2. To stop the vacuum cleaner, push the switch to the “O” position.

C: How to change the dust bag,

Replacement bag: Part # Y08 high filtration with Hepa Quality

1. Open the door on the vacuum cleaner by pushing the latch upward and remove both door and dust bag.
2. Carry door and dust bag to the trash container. Remove full bag and discard.
3. Place a new dust bag all the way over the scoop **tight against the door.**
4. When closing door, tuck in the top part of the bag, so the door is properly sealed and the latch clicks into place.

TIP: If you break off the vacuum hose inlet cover, simply reattach it by lining up one of the small dimples located on the inside of the inlet cover and then press hard on the other side to click into position.



D: To change motor filter, Replacement Part # Y21 (see Fig.: E)

1. Remove door and dust bag.
2. Reach into the cavity towards the bottom of the vacuum cleaner and remove the motor filter.
3. Replace the filter with a new filter and tuck in the corners so that the **filter lays flat** on the grid,
4. If necessary, clean the dirty filter by vacuuming or washing in mild soap by hand.
Do not clean in washing machine. Let filter dry completely and reuse as needed.

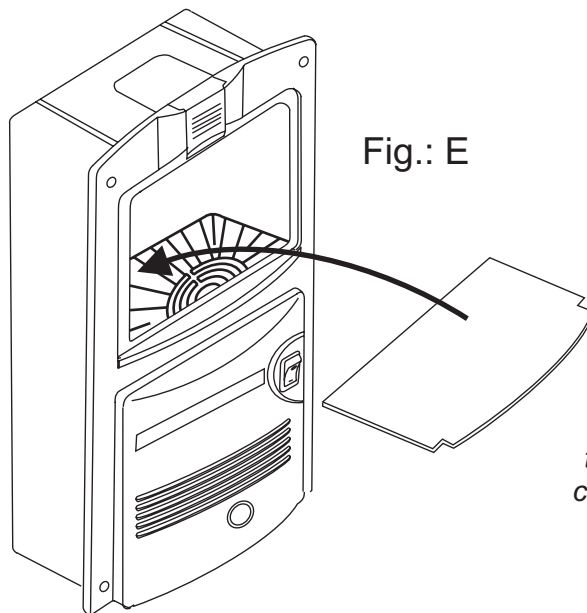


Fig.: E

**E. Replacing motor filter
Part # Y21**
tuck-in the corners and sides
carefully under the vertical ribs

TROUBLE SHOOTING:

TIP : If you use our very convenient stretch hose, but require more suction power or do not like the pull-back of the hose we recommend you try our standard 30 foot central vacuum hose. Part # A002-G-CV

NOTE: IF MOTOR SUDDENLY STOPS:

1. The most common cause is a clogged hose. See cleaning instructions.

TIP: Disconnect vacuum hose from cleaner, hold one end high up in the air and drop a quarter or similar object into the hose. If the quarter gets stuck the hose is clogged. Try to unclog the hose with a long stick.

2. The bag is overfilled or fine dust has clogged the bag.
3. The vacuum cleaning tools are clogged.
4. Vacuuming large amounts of dust other than household dirt, such as dry-wall or fine wood dust can block the bag's pore's fast, **even if the bag is new.**
5. The motor filter is dirty and should be cleaned or replaced.
6. If vacuum unit is installed in a tight compartment and air cannot exhaust, the motor can overheat and shut off until it cooled down.

CLEANING THE STRETCH HOSE:

The stretch hose, besides all its conveniences, has a tendency to get clogged, especially if you have pets.

- a) lift the hose up on both ends and dispense some liquid detergent into both ends.
- b) with a garden hose, holding both ends still up, fill $\frac{3}{4}$ with water.
- c) shake hose up and down, let detergent loosen the dirt.
- d) stretch the hose as far as you can (2 people required) and wash the dirt out with the full pressure of the garden hose. Repeat if necessary.

CAUTION:

**DO NOT PICK UP LIQUIDS, LIT CIGARETTES, HOT ASHES,
RAZOR BLADES, NEEDLES, PINS OR OTHER SHARP OBJECTS!**

Vacuum Tools supplied



Floor Tool with horse hair
PART# X404



Elongated Brush for Car
Dash Board. PART# X251



Crevice Tool
PART # X200



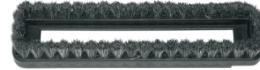
40' Stretch Hose with
short grip.
Assembly PART# A002-G



Wand Holder
Part # X153



2 Part Upholstery
Tool with horse hair
PART # X300



Telescoping Wand, PART # X154



REPLACEMENT DUST BAGS:
PART # Y08-5 (5 pack) HEPA Type 5 layer fiber filtration
bags for all Intervac Models



NOTE: All Power Units come with 2 Dust Bags

OPTIONAL VACUUM TOOLS

for more information
please go to our web site

30 Foot Traditional
Central Vacuum Hose
PART # A002-G-CV



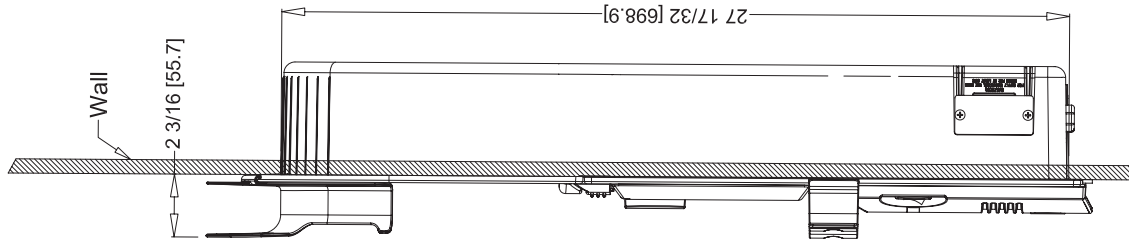
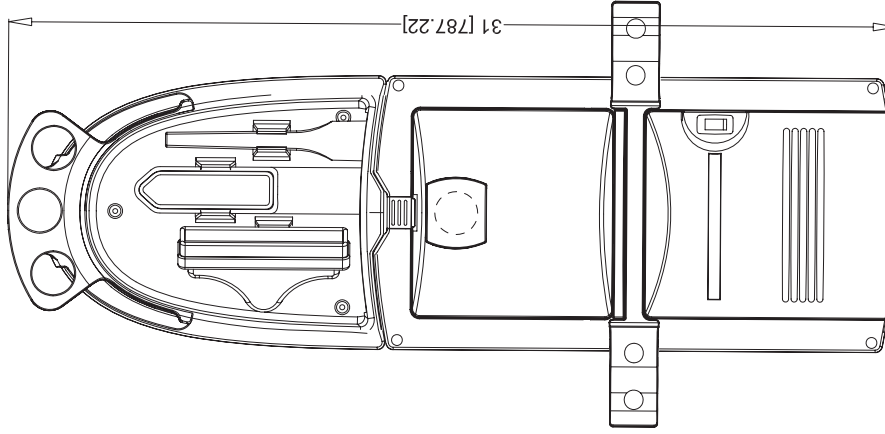
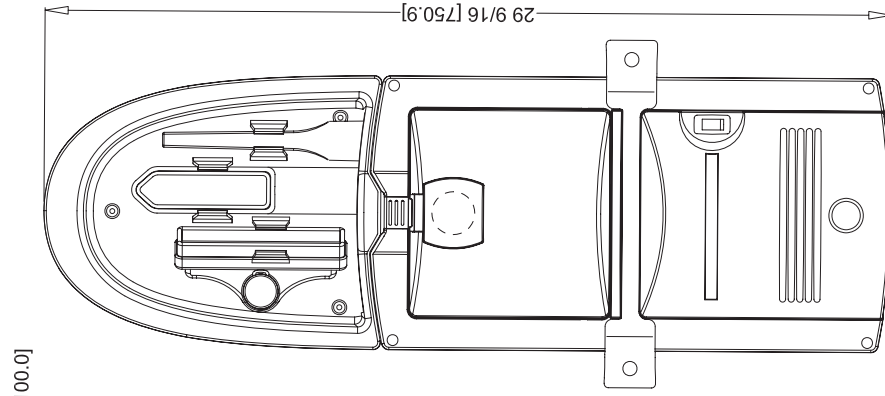
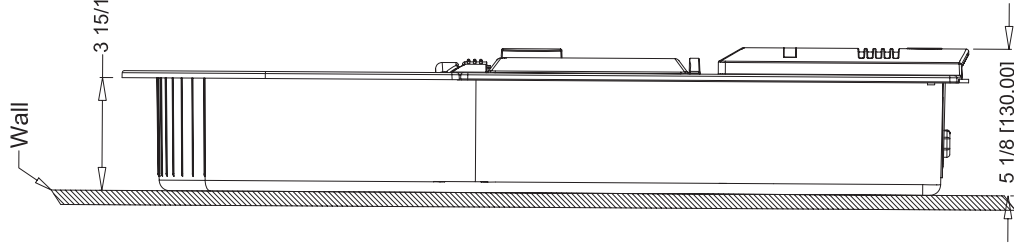
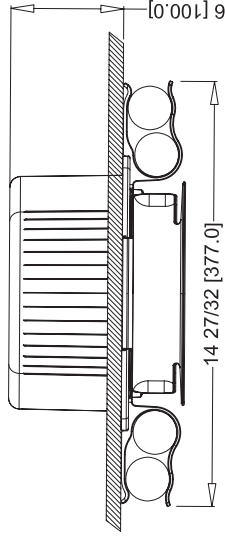
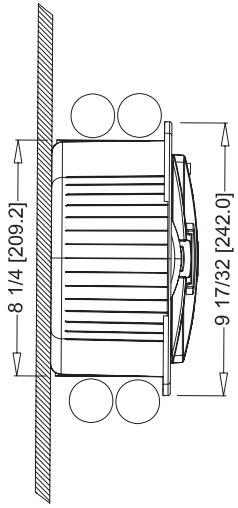
24" Snake Wand to vacuum
in the tightest spaces.
PART # X511



Air Turbo Nozzle
for upholstery
PART # X452



interVac reserves the right to make improvements and modifications without notice.



MODEL GH

surface mounted with electric cord

MODEL GF

recessed mounted to be hard wired

Specification: 120 volt, 12 amps, 50/60 hz, 400 air watts, 100 H₂O lift
 230volt, 6amps, 50/60 hz

GarageVac Models



GF-120
 In-wall installation where the unit fits flush into a 2x4 stud wall. Space saving. Can also be flush mounted into a garage cabinet. Minimum wall space required.



GH-120
 surface mounted in the hobby shop. Can easily be moved to an other location. Compact and very fast excess to vacuum tools and hose

INSTALLATION POSSIBILITIES FOR GARAGEVAC



GH-120
 Garage installation close to the garage door. This way cars can be reached inside and outside the garage. Most effective installation. Requires minimal wall space.

other InterVac Models



Model RMG120
 Installed as a traditional central vacuum system with a vacuum valve in the living room and the power unit on the other side of the wall, it could be the garage utility room or closet.

see our website:
www.intervacdesign.com



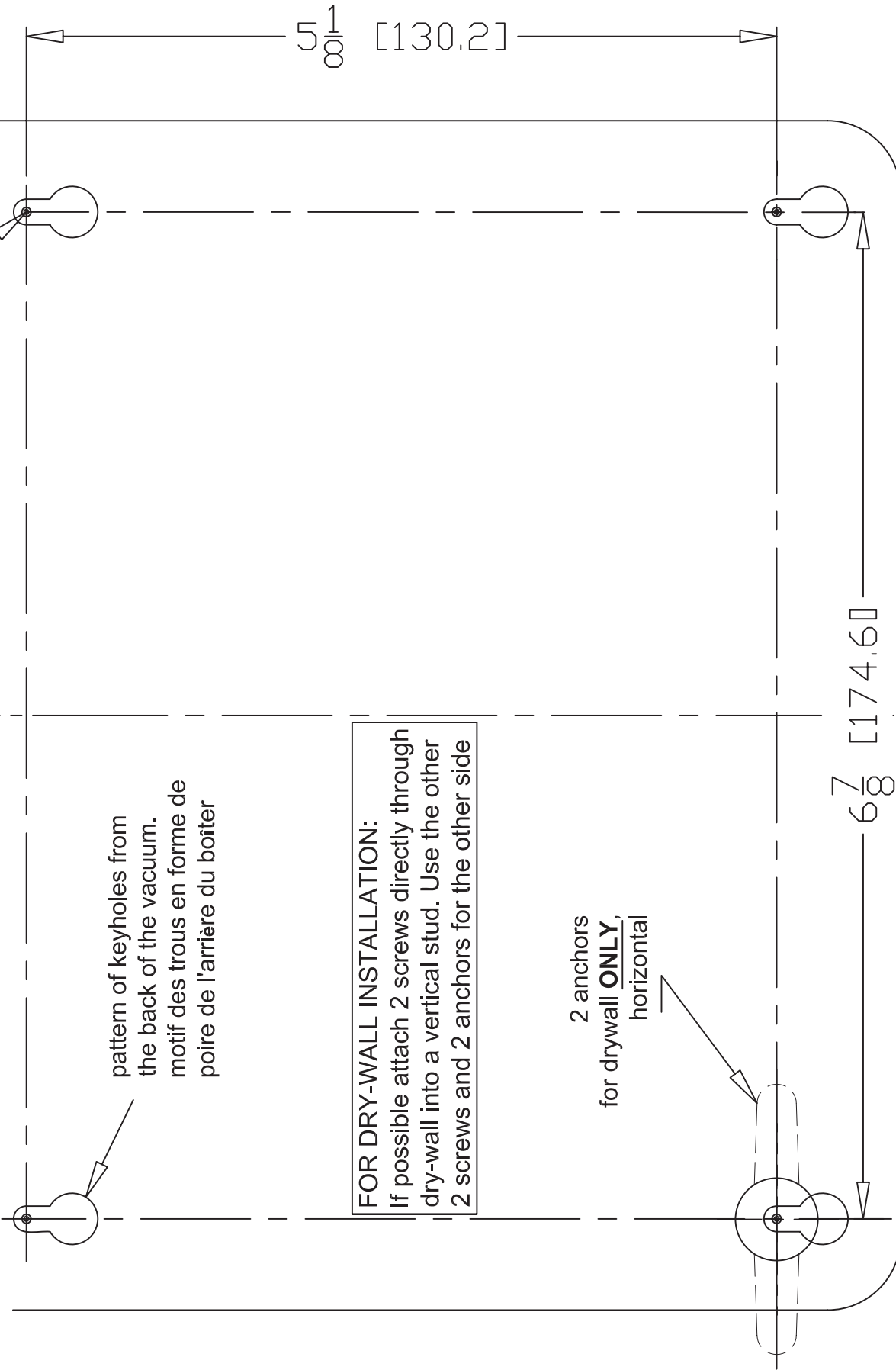
Model F120
 (GF120 without the tool caddy)
 Installed in the hallway of a town house. Easiest and lowest cost of having a central vacuum in your home.

see our website:
www.intervacdesign.com

FASTENER TEMPLATE FOR HANGING AGAINST A SURFACE

Template #W600
Gabarit # W600

mark all 4 centers accurately



pattern of keyholes from the back of the vacuum.
motif des trous en forme de poire de l'arrière du boîtier

FOR DRY-WALL INSTALLATION:
If possible attach 2 screws directly through dry-wall into a vertical stud. Use the other 2 screws and 2 anchors for the other side

2 anchors for drywall **ONLY**, horizontal

DO NOT DESTROY TEMPLATE, USE FOR FUTURE REFERENCES

CUT ALONG DOTTED LINE