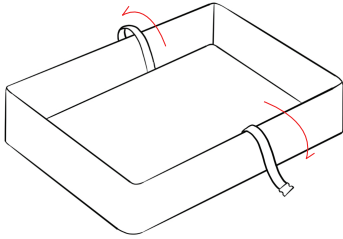
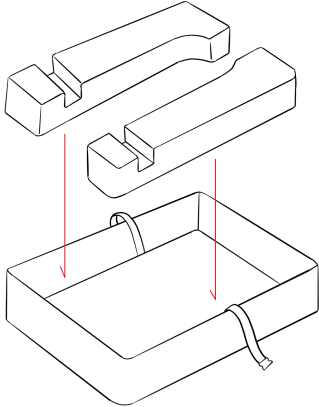


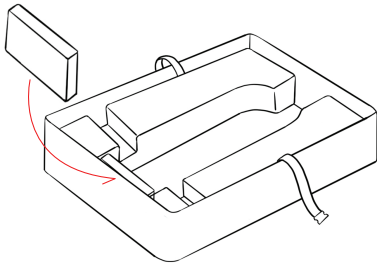
Embroidery Arm Packing Instructions



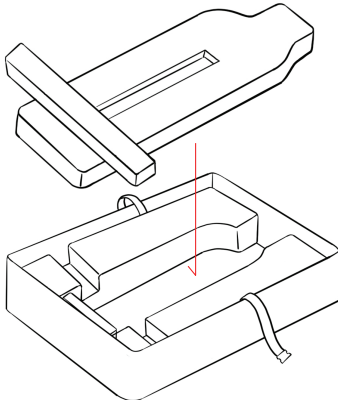
- 1 MOVE TIE DOWN STRAPS TO ALLOW PLACEMENT OF 2 SIDE PANELS



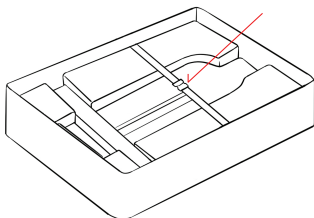
- 2 PLACE SIDE PANELS WITH HOOK AND LOOP FASTENER ON BOTTOM



- 3 PLACE SPACER AT TOP OF CASE BETWEEN TWO SIDE PANELS WITH ZIPPER FACING AWAY FROM EMBROIDERY UNIT



- 4 INSERT EMBROIDERY UNIT (YOU MAY NEED TO SLIDE THE CARRIAGE UP OR BACK UNTIL IT FITS COMFORTABLY AND SECURELY IN FOAM PADDING)



- 5 LOCK TIE DOWN STRAPS ACROSS ARM