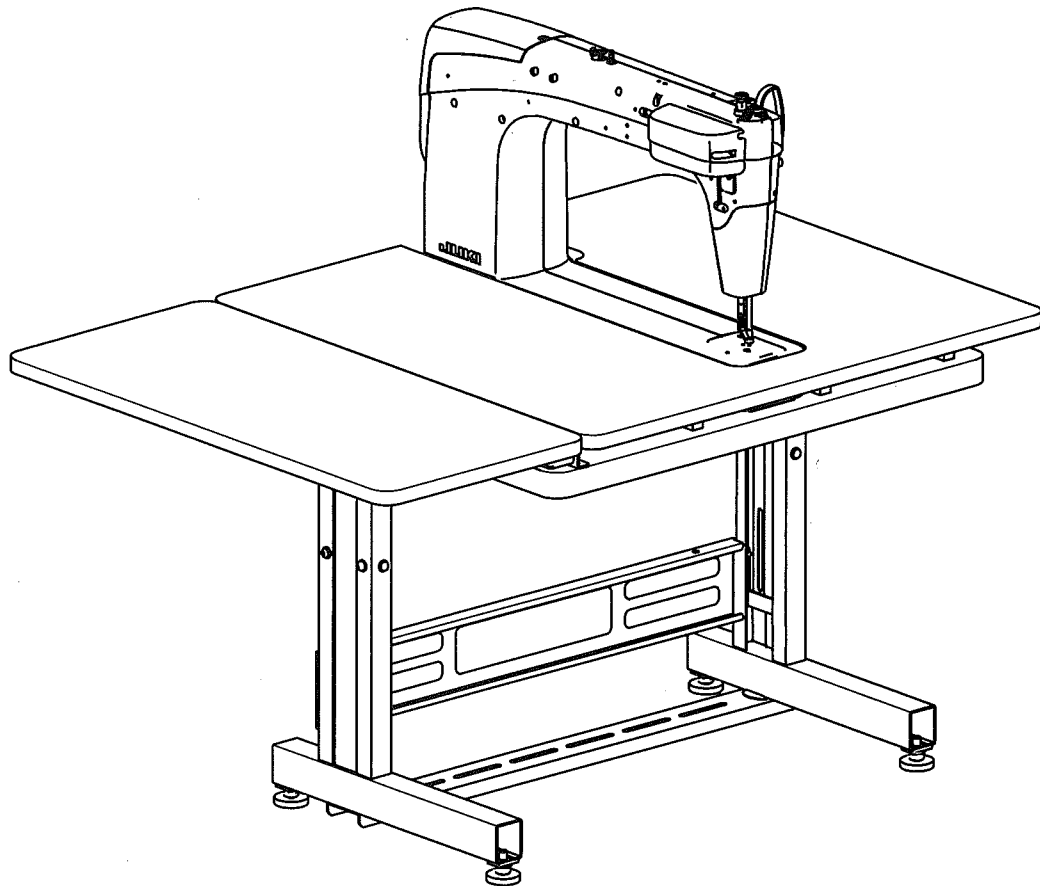


TL-2200QVP

SETUP MANUAL FOR EXTENTION TABLE



Congratulations on your purchase of a JUKI product.

This Setup Manual describes precautions to be taken to use the product safely and gives other relevant information.

- Be sure to read this Setup Manual carefully before using the table to fully understand how to handle it safely.
- Be sure to keep this Setup Manual at a place which allows you to read it again when necessary.
- The product you have purchased may differ from the contents of this Setup Manual due to improvement, etc.
- Consult your distributor for any questions.

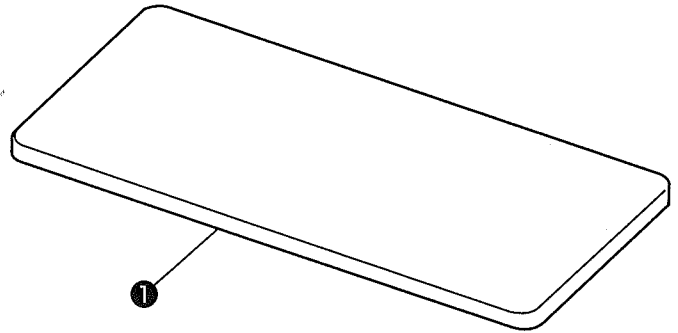
1

Checking the accessories

After unpacking, be sure to check that the parts/accessories listed below are provided and are free of damage. If any of the parts/accessories is missing or damaged, contact your distributor.

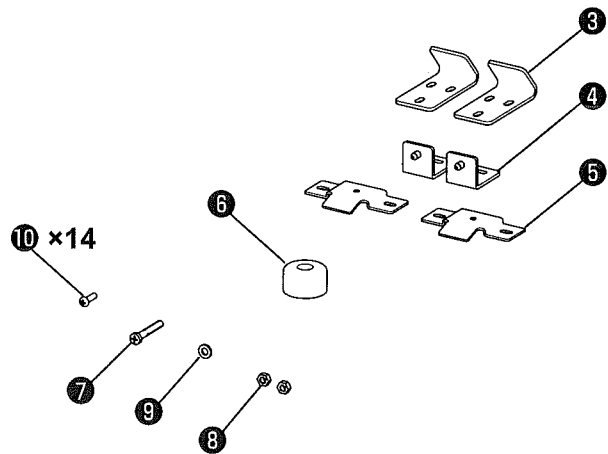
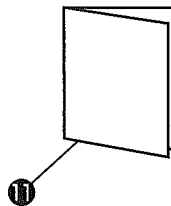
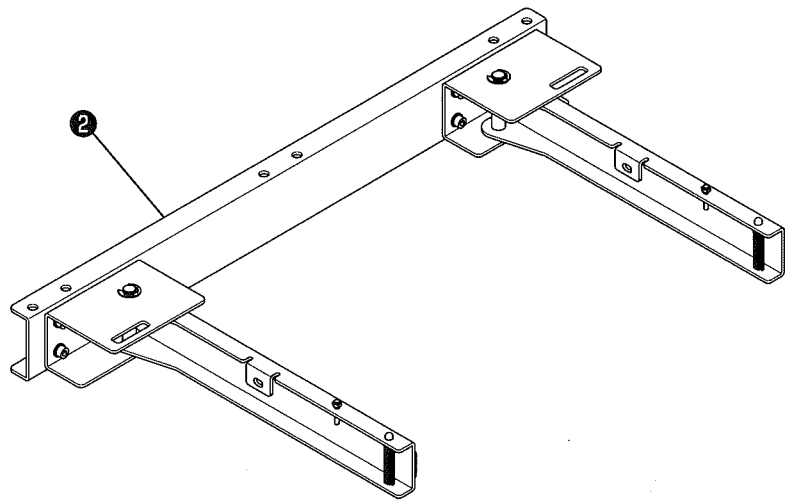
Packaging box 1

1	EXTENTION_TABLE	1
---	-----------------	---



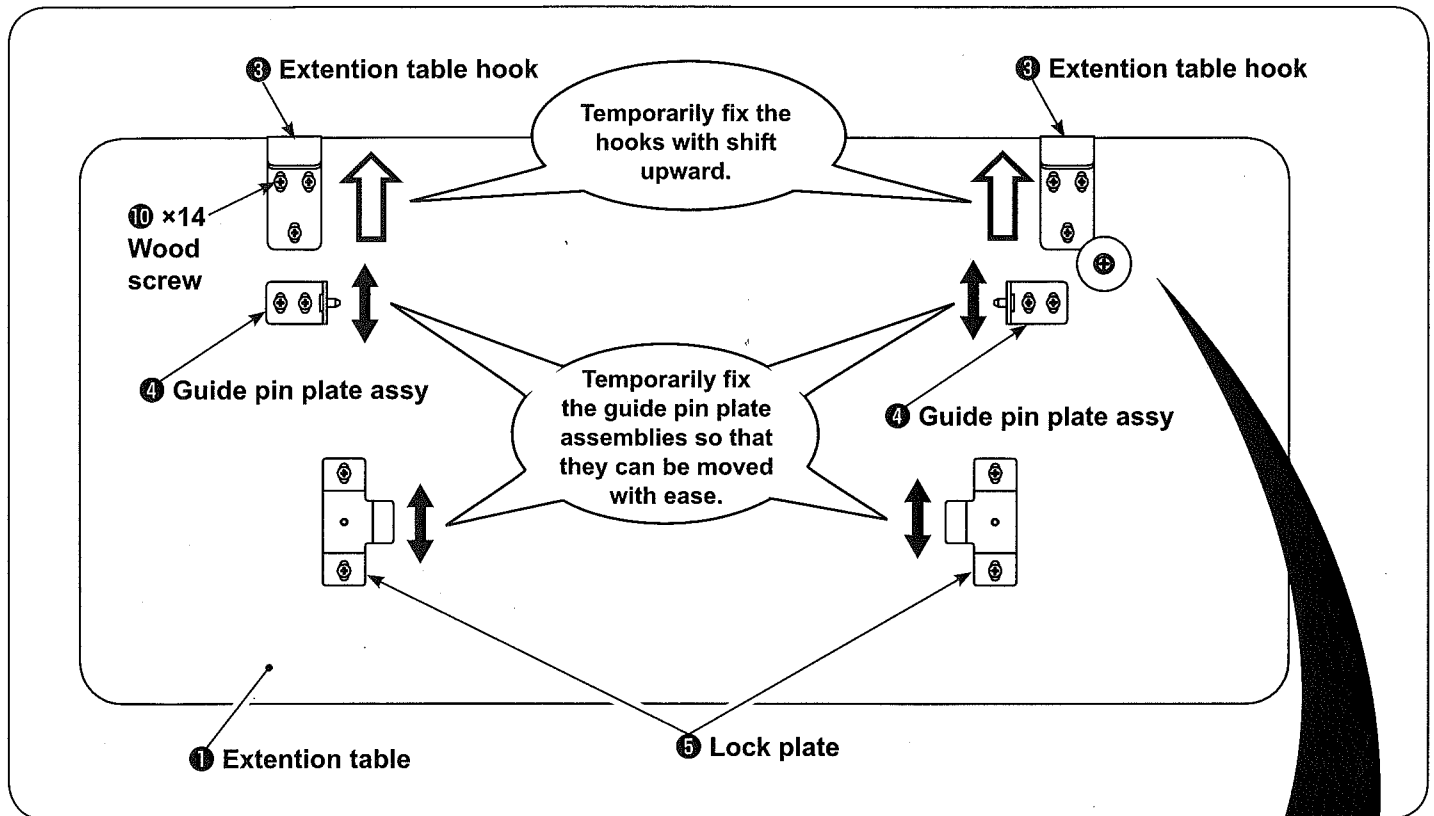
Packaging box 2

2	EXTENTION_TABLE_SUPPORT_BAR_ASSY	1
3	EXTENTION_TABLE_HOOK	2
4	GUIDE_PIN_PLATE_ASSY	2
5	LOCK_PLATE	2
6	RUBBER_FOOT	1
7	SCREW (M6 L=40)	1
8	NUT (M6)	2
9	PLANE_WASHER	1
10	WOOD_SCREW (D4.8 L=20)	14
11	SETUP_MANUAL	1



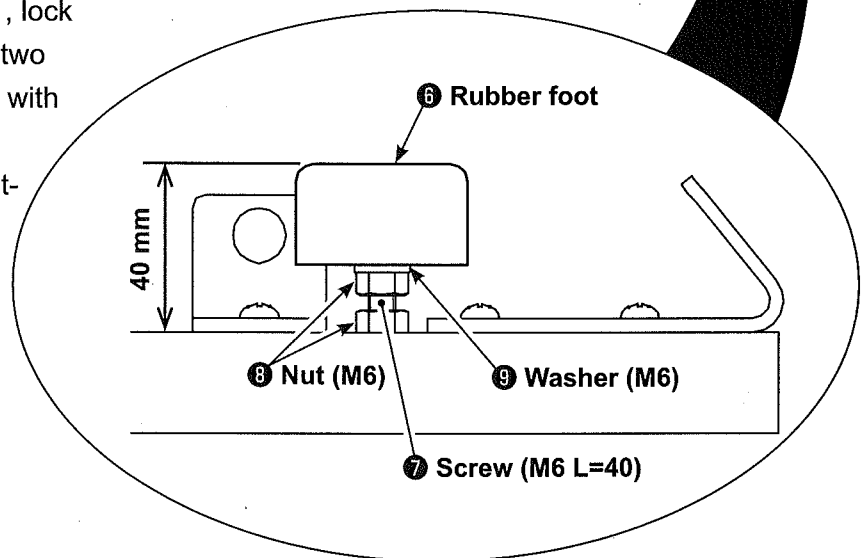
2

Preparing the extension table



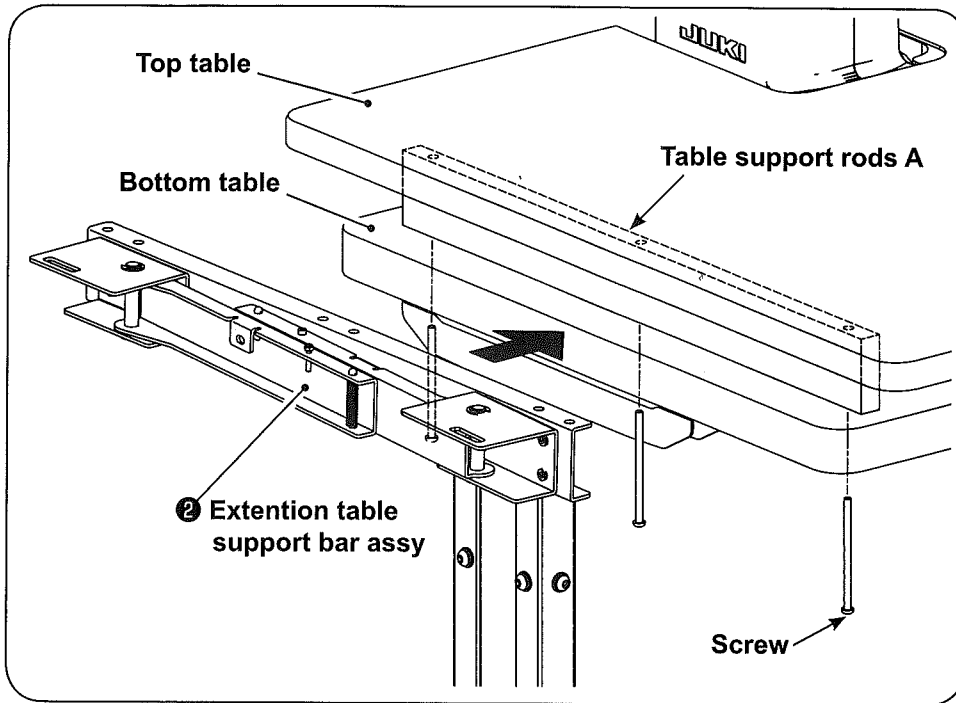
- 1) Temporarily fix extension table hooks **3**, lock plates **5** and guide pin plate (assy.) **4** (two each) respectively on extension table **1** with wood screws **10**.
See the figure given above for the mounting locations.

- 2) Fix rubber foot **6** so that the height of its top surface from the table surface is approximately 40 mm.



3

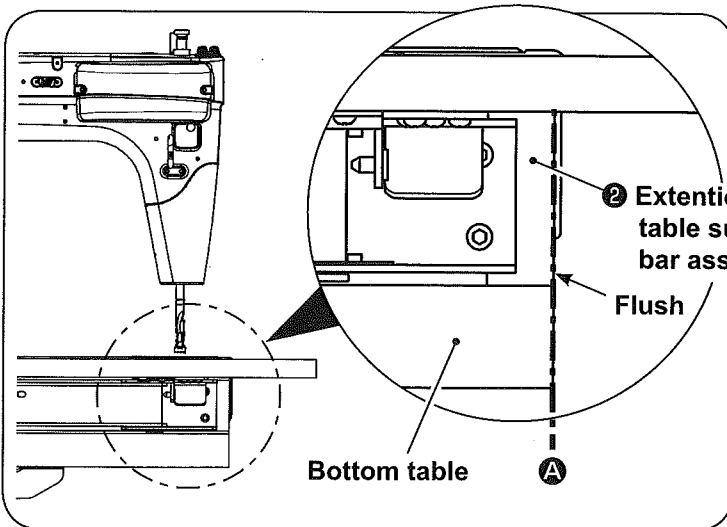
Installing the extension table support bar assy.



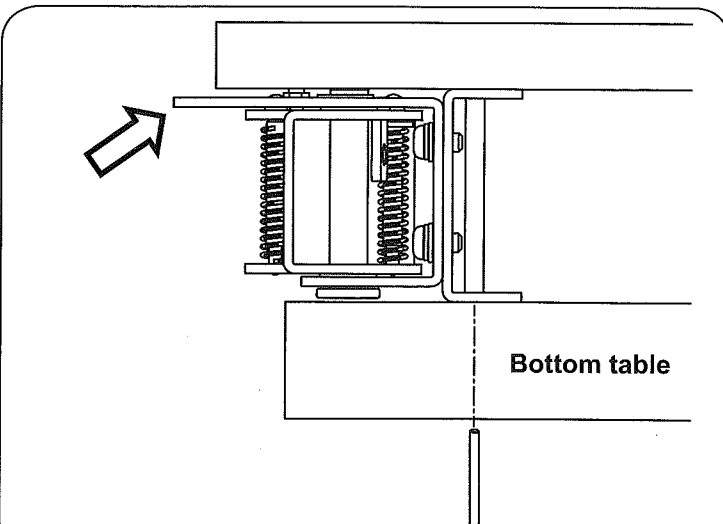
Reference

The extension table can be installed to either the right- or left-side of the quilting table whichever is more convenient for you.

- 1) Remove three screws from the undersurface of the bottom table to detach the table support rods A. Then, insert extension table support bar (assy.) ②.



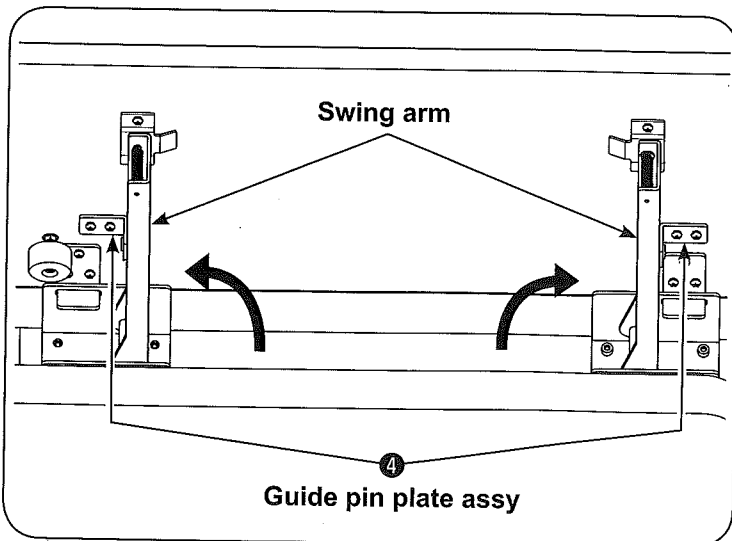
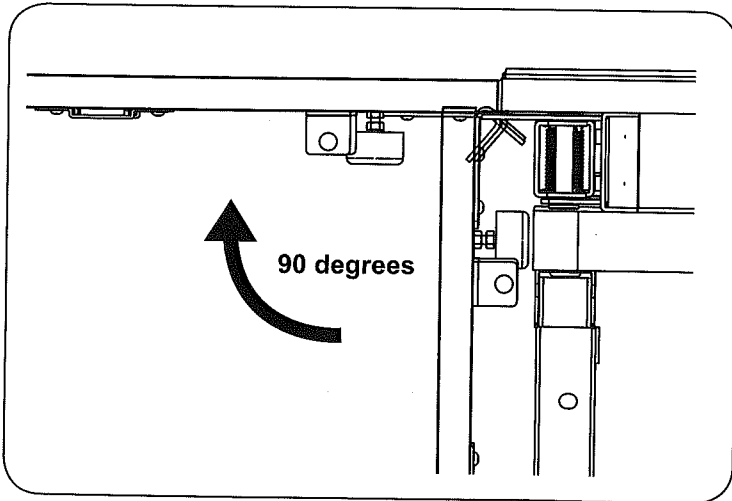
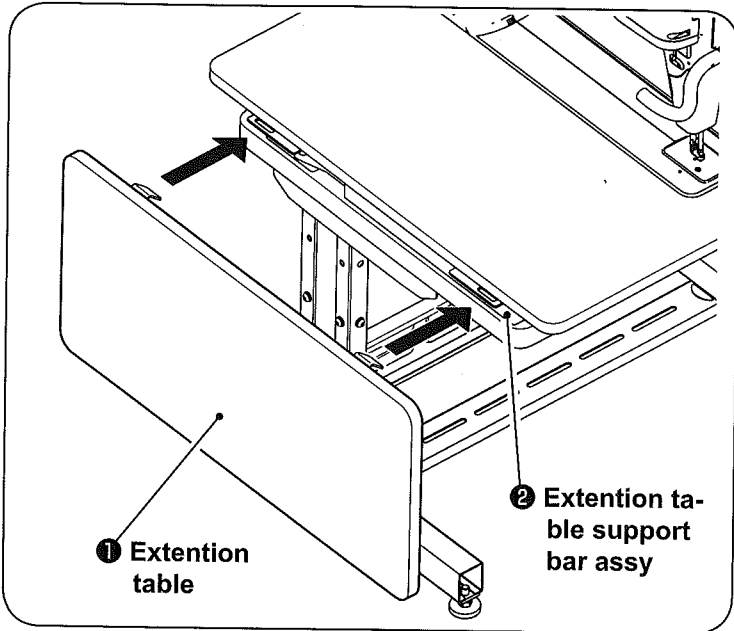
- 2) Adjust the bottom table and extension table support bar (assy.) ② longitudinally so that their front surfaces are almost flush with each other (A).



- 3) Pressing the tip of extension table support bar (assy.) ② in the direction of the arrow, tighten three screws again in the undersurface of the bottom table.

4

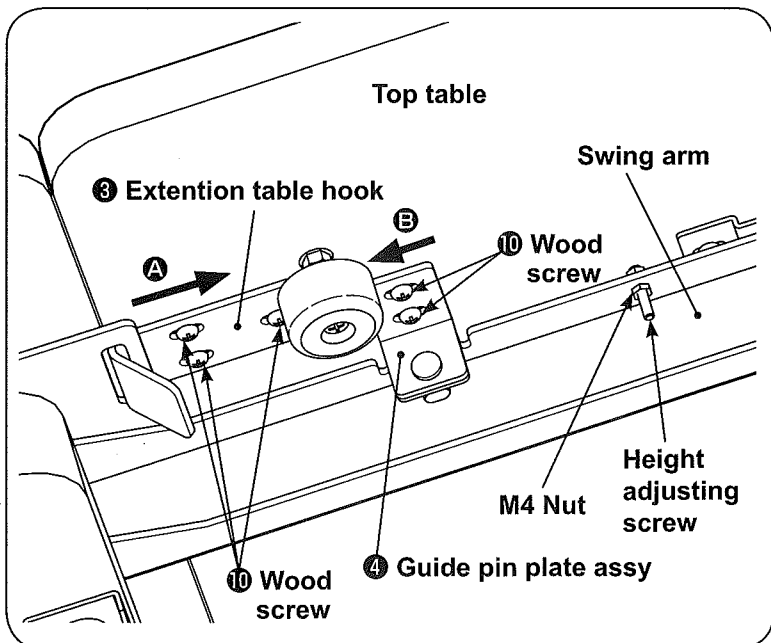
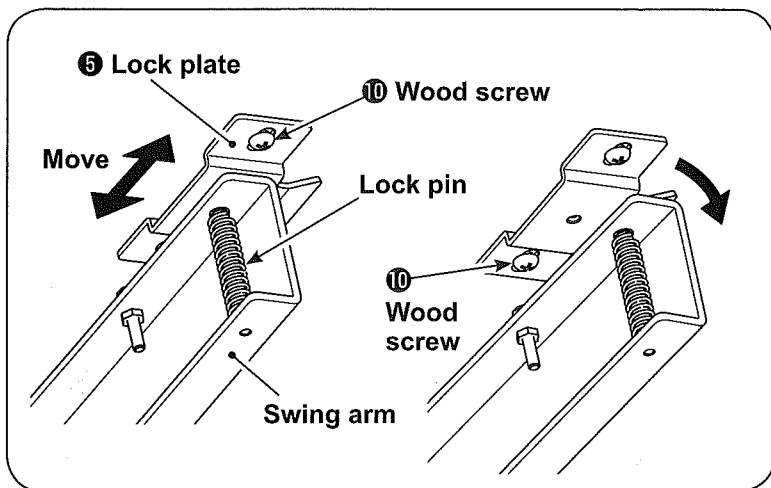
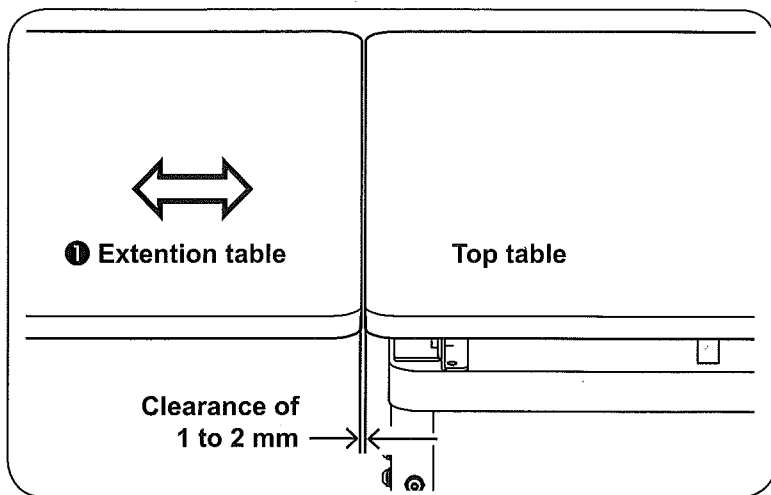
Installing the extension table



Caution Take care not to allow fingers to be caught in the related parts.

- 2) Lift extension table ❶ until it is levelled and open the swing arm in the direction of the arrow by 90 degrees. At this time, the guide pins of guide pin plate (assy.) ❷ are fitted in the slots in the swing arms. It is therefore necessary to take care not to lift extension table ❶ excessively.

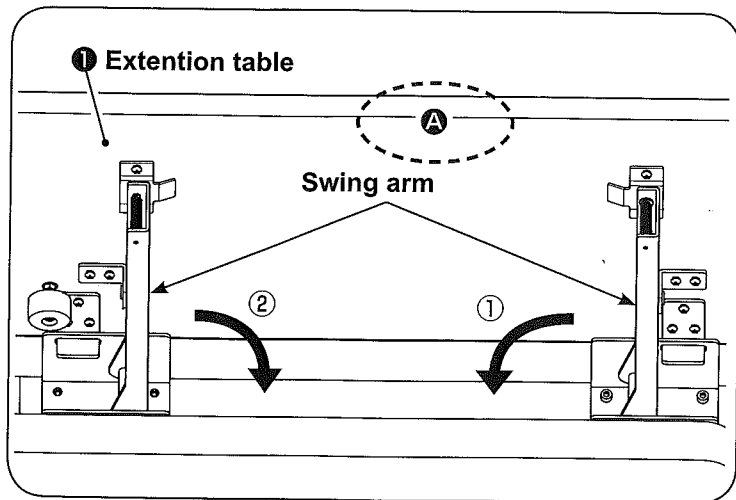
5 Adjusting the position of the extension table



- 1) Move extension table 1 in the direction of the arrow to adjust so that a clearance of 1 to 2 mm is provided between the extension table and top table.
- 2) Move lock plate 5 in the direction of the arrow until the lock pin fits in the hole in lock plate 5. Then, fix the lock plate at that position with wood screw 10.
- 3) Slightly move the swing arm and fix wood screw 10.
- 4) Loosen the wood screws which are used for fixing extension table hook 3 to shift the extension table hook in the direction of arrow A. Then, fix the extension table hook again with three wood screws 10.
- 5) Shift guide pin plate (assy.) 4 to the sewing machine side B. Fix the guide pin plate (assy.) 4 with two wood screws 10 so that it is brought into close contact with the swing arm.
- 6) Turn the height adjusting screw until it comes in contact with the undersurface of the top table. Then, give another turn to the screw to allow it to protrude (by approximately 0.7 mm). Then, fix the height adjusting screw with an M4 nut.
- 7) After the completion of adjustment of the height adjusting screw, check whether the swing arm can be stored under the top table.

6

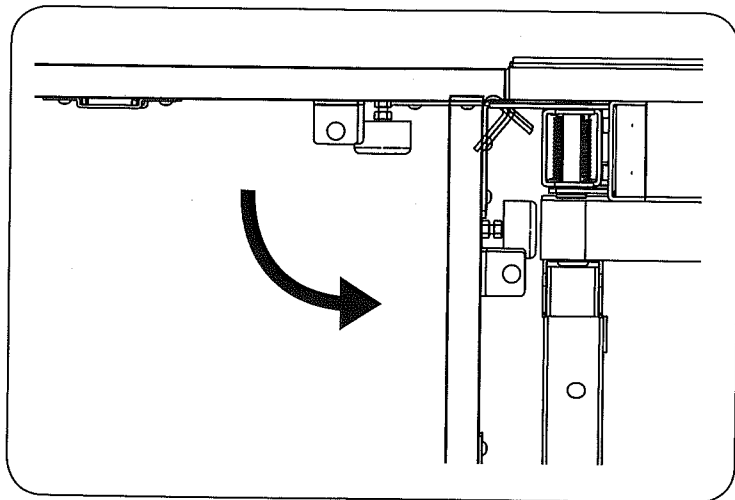
Storing the extension table



1) Supporting center part **A** of extension table **1** with hand, close swing arms **1** and **2** in the written order.

The swing arms cannot be closed by the reverse order.

Check to be sure that the respective swing arms are secured with magnets.



2) Lower extension table **1** carefully.

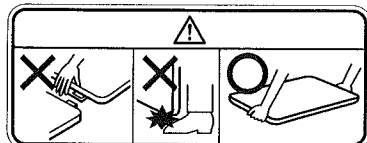
SAFETY PRECAUTIONS

 **Warning:** Be sure to read this Setup Manual before assembling and using your quilting table.

- 1. Do not use the extension table in combination with any product other than the JUKI-designated quilting table.**
If this extension table is used with other product, the table can be damaged or deformed.
- 2. Be sure to use this extension table only as an extension quilting table.**
If this extension table is used for any purpose than the intended one, such as a step or for putting luggage on it, the table can be damaged or deformed or can cause personal injury.
- 3. When installing or unfolding the extension table, take care not to allow cords (such as the power cord) to be caught by the table.**
If any cord is damaged, leakage of electricity or fire can be caused.
- 4. Do not run the sewing machine while putting a thing on the extension table.**
The thing put on the table can fall due to the sewing machine vibration, resulting in breakage of that thing or in personal injury.
- 5. Do not lift or move the quilting table when it is installed with the extension table.**
The extension table can fall, the swing arm can open/close, resulting in unexpected personal injury. In addition, the extension table can be damaged or deformed.
- 6. Do not climb on the extension table.**
You can tumble or fall resulting in an injury. In addition, the extension table can be damaged or deformed.
- 7. Avoid any behavior which places your body weight on the extension table such as sitting on, tilting against, putting your hands on, or hanging down from the extension table.**
The extension table can be damaged or deformed. In addition, the damaged/deformed extension table can cause a risk of personal injury.

 **Caution:** Be sure to read this Setup Manual before assembling and using your quilting table.

- 1. Be sure to assure a sufficiently wide space and place a lug on the floor before unpacking the extension table.**
The floor or the existing furniture can be scratched.
- 2. Be sure to assemble the extension table while taking care not to allow fingers to be caught in the relevant parts or not to allow a heavy thing to fall on feet.**
Unexpected personal injury can be caused.
- 3. Be sure to assure a sufficiently wide space when installing/removing the extension table.**
Unexpected personal injury or physical damage to property can be caused.
- 4. Be sure to install/remove the extension table to/from the quilting table while securely holding the both longitudinal ends of the former with both hands.**
The extension table can fall onto feet resulting in personal injury.
- 5. Be careful not to allow fingers to be caught in the related parts when spreading/closing the extension table.**
Unexpected personal injury can be caused.
- 6. Do not spread the swing arms when the extension cable is not installed to the quilting table.**
Since the swing arms are designed to spread by 180 degrees, unexpected personal injury such as pinching of fingers or the existing furniture can be damaged.
- 7. Do not put a thing which is heavier than 3 kg on the extension table.**
The extension cable can be damaged or deformed. In addition, the damaged/deformed extension table can cause a risk of personal injury.
- 8. Do not dive under the extension table.**
There are protruding objects on the undersurface of the extension table which can invite a risk of unexpected personal injury. In particular, take care not to allow children to dive under the extension table. When you dive under the extension table by necessity such as for assembly the relevant parts, carry out work while taking added care to protect against injury.
- 9. Do not use the extension table under the direct sunlight or hot air from a heater, etc. or under conditions of heat and humidity.**
Alteration in quality or deformation of the extension table can be caused.
- 10. Do not put a wet thing on the extension table.**
Alteration in quality or deformation of the extension table can be caused.



Caution against pinching of fingers /
Caution against fall onto feet /
Move with both hands



Withstand load: 3 kg